

Distributed by:

**JAMECO**<sup>®</sup>  
ELECTRONICS

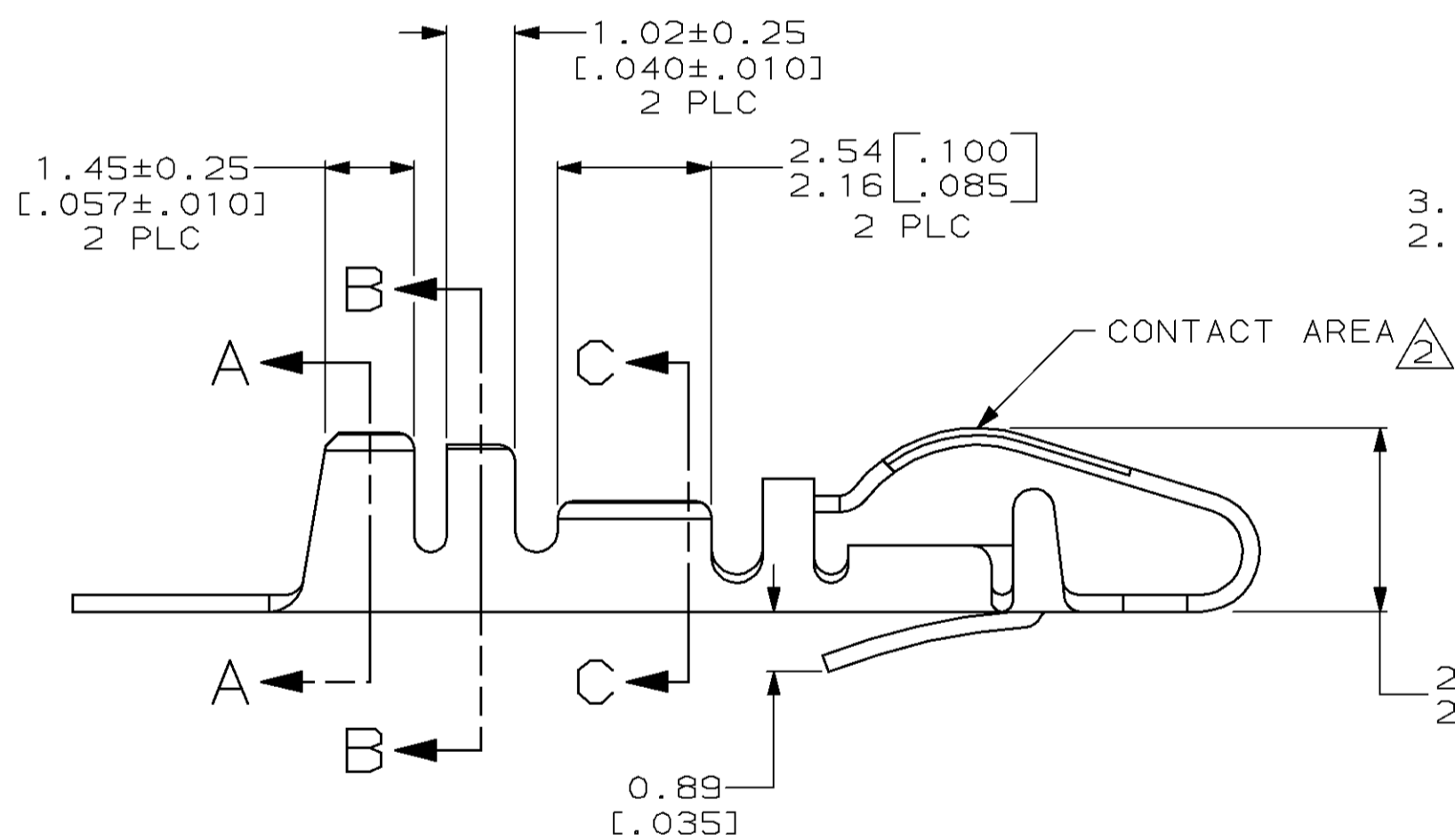
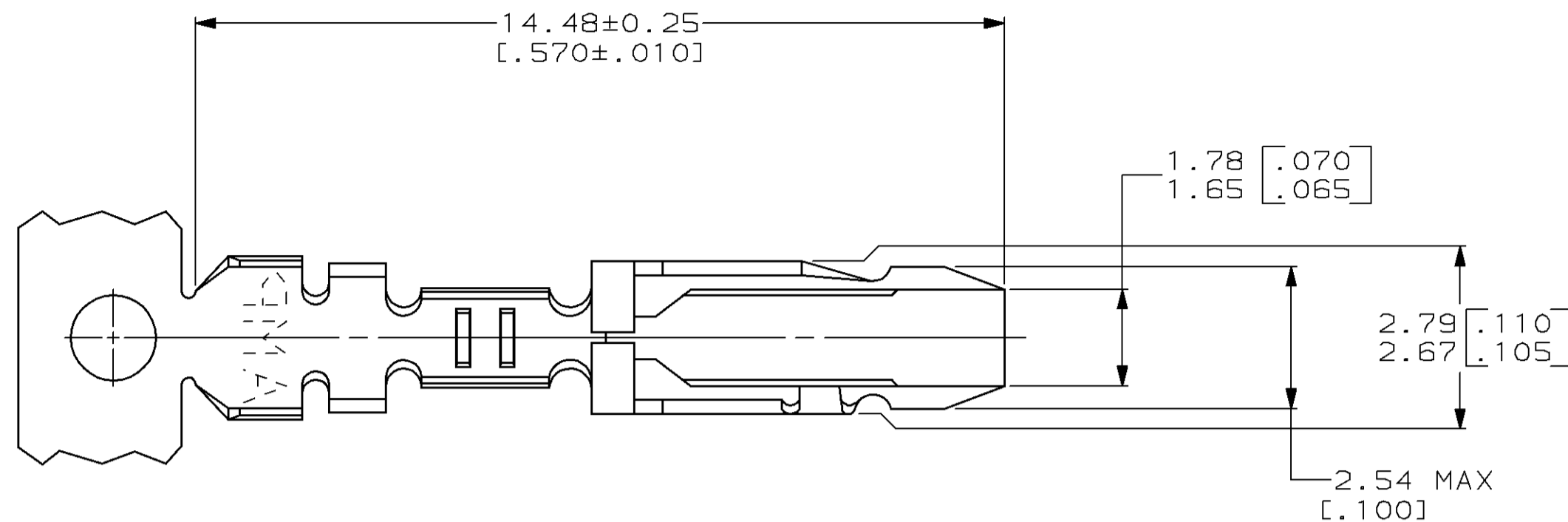
**www.Jameco.com ♦ 1-800-831-4242**

The content and copyrights of the attached  
material are the property of its owner.

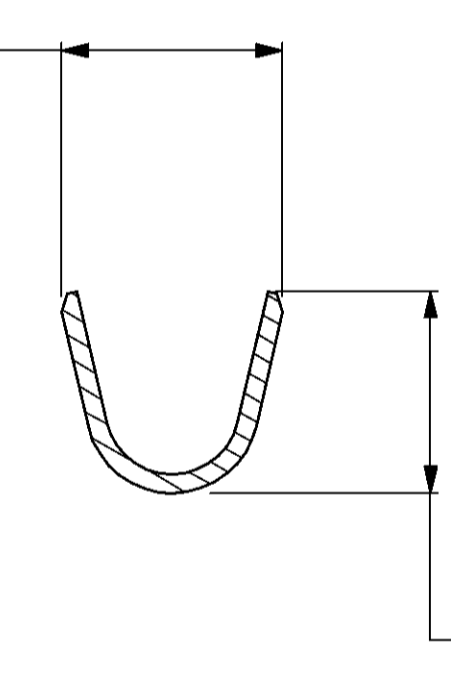
Jameco Part Number 962138

THIS DRAWING IS UNPUBLISHED. RELEASED FOR PUBLICATION  
 © COPYRIGHT 19 BY AMP INCORPORATED. ALL RIGHTS RESERVED.

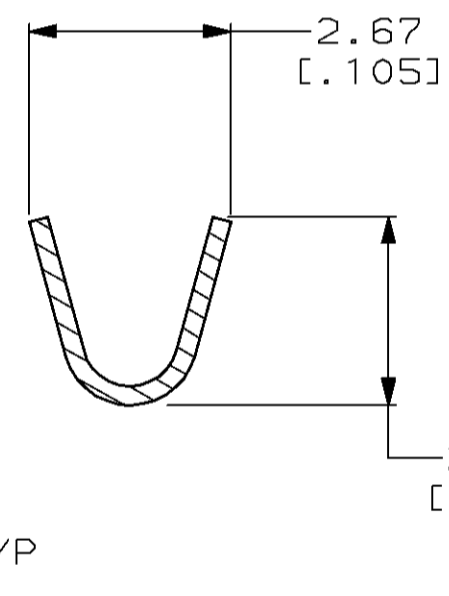
LOC		DIST		REVISIONS			
P	LTR	DESCRIPTION	DATE	DWN	APVD		
FT	22	AD	REDRAWN W/O CHANGE PER EC 0010-424-96	28 AUG 97	-	-	-



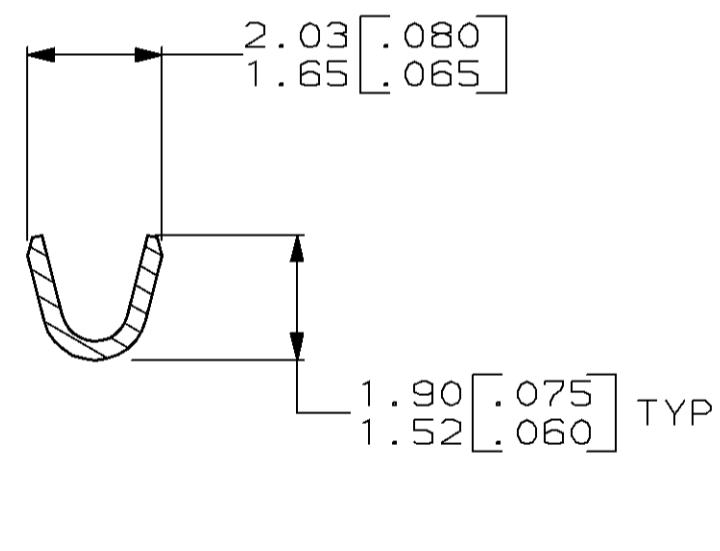
SECTION A-A



SECTION B-B



SECTION C-C



- 1 PHOSPHOR BRONZE.
- 2 0.76µm [.000030] MIN GOLD IN CONTACT AREA, GOLD FLASH ON REMAINDER OF CONTACT, BOTH OVER 1.27µm [.000050] MIN NICKEL.
- 3 STANDARD REELED (RIGHT TO LEFT FEED).
- 4 REVERSE REELED (LEFT TO RIGHT FEED), FOR MINI-APPLICATOR.
- 5. INSULATION RANGE: 1.27-1.63 [.050-.064] DIA.

4	583204-2
3	42702-3
REELING	PART NUMBER

THIS DRAWING IS A CONTROLLED DOCUMENT.		DWN	28 AUG 97	<b>AMP</b> AMP Incorporated Harrisburg, PA 17105-3608
		CHK	04 SEP 97	
		APVD	05 SEP 97	NAME N. SCHROLL
		PRODUCT SPEC		
		APPLICATION SPEC		SIZE CAGE CODE DRAWING NO RESTRICTED TO A2 00779 C= 42702 -
		WEIGHT		
MATERIAL 1		FINISH 2		SCALE 10:1 SHEET 1 OF 1 REV AD
DIMENSIONS: mm [INCHES]		TOLERANCES UNLESS OTHERWISE SPECIFIED:		CUSTOMER DRAWING
0 PLC ±-		1 PLC ±-		
1 PLC ±-		2 PLC ±0.13 [.005]		
2 PLC ±-		3 PLC ±-		
3 PLC ±-		4 PLC ±-		
4 PLC ±-		ANGLES ±-		
FINISH 2				