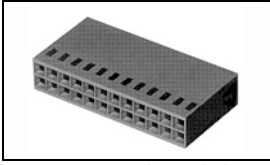


5-87456-3 Product Details

[Share](#) [Print](#) [Email](#)



5-87456-3

TE Internal Number: 5-87456-3
 Active

[View 3D PDF](#)

.100 AMPMODU Headers, Housings & Contacts

Always EU RoHS/ELV Compliant (Statement of Compliance)

Product Highlights:

- Connector
- Housing
- Connector Style = Receptacle
- Contact Type = Socket
- 2.54 mm Centerline

[View all Features](#)

Quick Links

- ▶ [Pricing & Availability](#)
- ▶ [Search for Tooling](#)
- ▶ [Product Feature Selector](#)
- ▶ [Contact Us About This Product](#)

[Add to My Part List](#) [Request Sample](#) [Find Similar Products](#) [Buy Product](#)

Documentation & Additional Information

Product Drawings:

- [HOUSING, MOD IV DOUBLE ROW, .100X.100 C/L CRIMP SNAP...](#) (PDF, English)

Catalog Pages/Data Sheets:

- [AMPMODU_INTERCONNECTION_SYSTEM_SECTIONS5_CONT](#) (PDF, English)

Product Specifications:

- [PRODUCT SPECIFICATION INTERCONNECTION SYSTEM, AMPMOD...](#) (PDF, English)
- [AMPMODU Mod 1/2 Wire to Board Standard Pressure Cont...](#) (PDF, English)
- [PRODUCT SPECIFICATION INTERCONNECTION SYSTEM, AMPMOD...](#) (PDF, Japanese)

Application Specifications:

- None Available

Instruction Sheets:

- None Available

CAD Files: (CAD Format & Compression Information)

- [2D Drawing](#) (DXF, Version P)
- [3D Model](#) (IGES, Version P)
- [3D Model](#) (STEP, Version P)

[List all Documents](#)

Additional Information:

- [Product Line Information](#)

Related Products:

- [Tooling](#)

Product Features (Please use the Product Drawing for all design activity)

Product Type Features:

- Product Type = Connector
- Connector Type = Housing
- [Mating Connector Lock](#) = Without
- [Connector Series](#) = Mod IV
- [Keyed](#) = No

Electrical Characteristics:

- Contact - Rated Current (A) = 3
- Voltage Rating (VAC) = 250
- Termination Resistance (mΩ) = 12
- Insulation Resistance (MΩ) = 5,000
- Dielectric Withstanding Voltage (V) = 750

Termination Features:

- [Termination Method to Wire/Cable](#) = Crimp

Body Features:

- Row-to-Row Spacing (mm [in]) = 2.54 [0.100]

Contact Features:

- Contact Type = Socket

Housing Features:

- Connector Style = Receptacle
- Centerline (mm [in]) = 2.54 [0.100]
- Mating Alignment = Without
- [Housing Color](#) = Black
- UL Flammability Rating = UL 94V-0
- Housing Material = Nylon

Configuration Features:

- [Number of Positions](#) = 2
- [Number of Rows](#) = 2
- [Strain Relief](#) = Without
- Stamped = No
- Housing Configuration = Both Ends Closed

Industry Standards:

- [RoHS/ELV Compliance](#) = RoHS compliant, ELV compliant
- [Lead Free Solder Processes](#) = Not relevant for lead free process
- [RoHS/ELV Compliance History](#) = Always was RoHS compliant
- [Approved Standards](#) = UL E28476, CSA LR7189

Environmental:

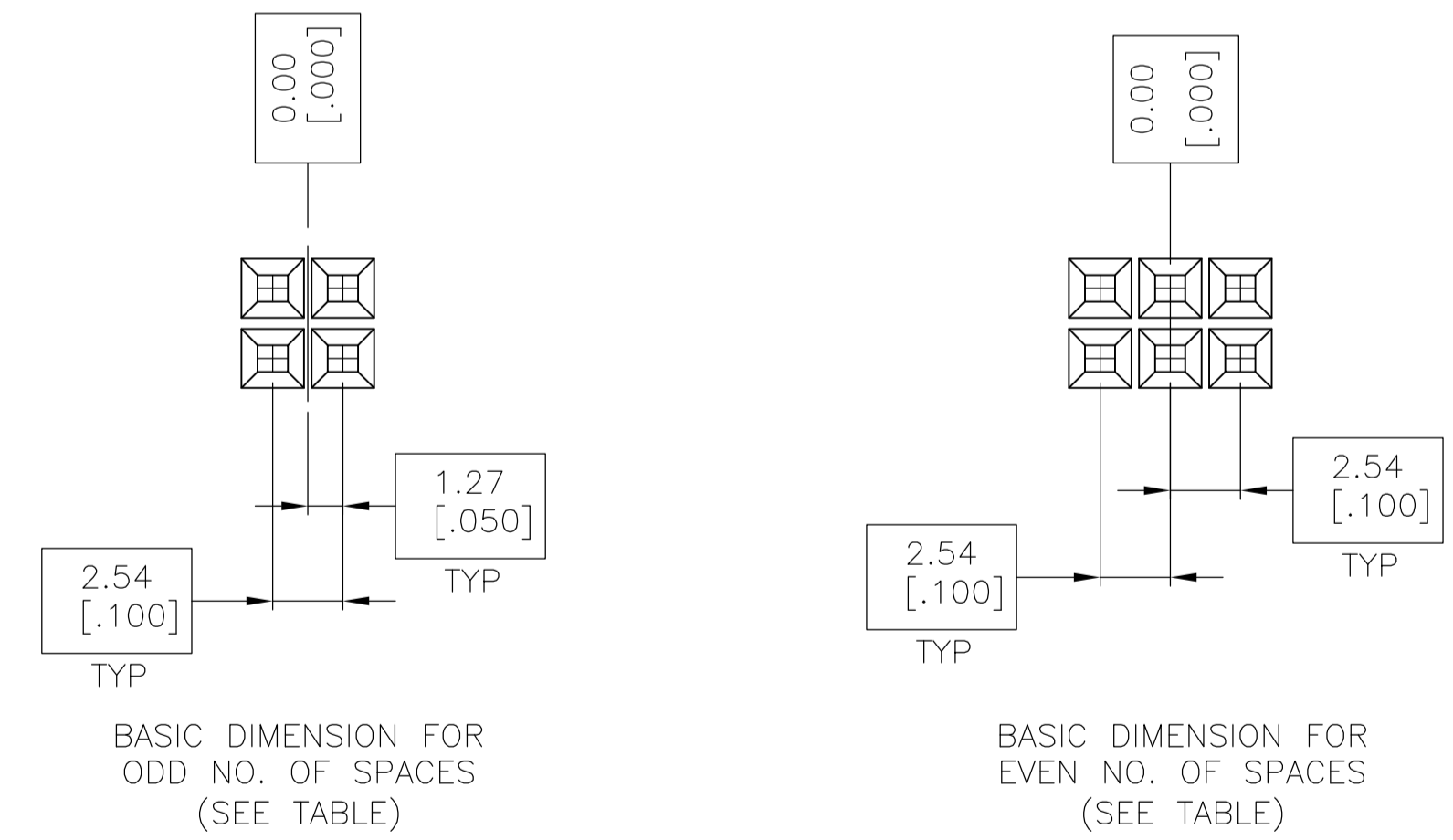
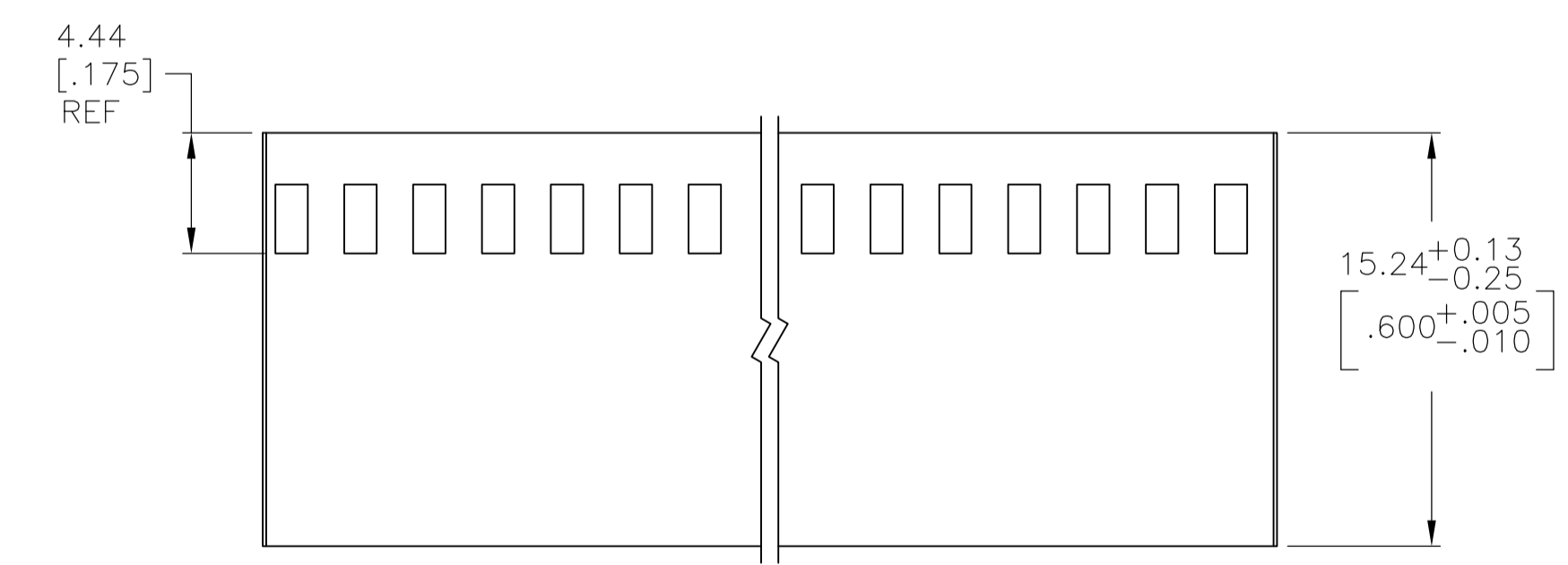
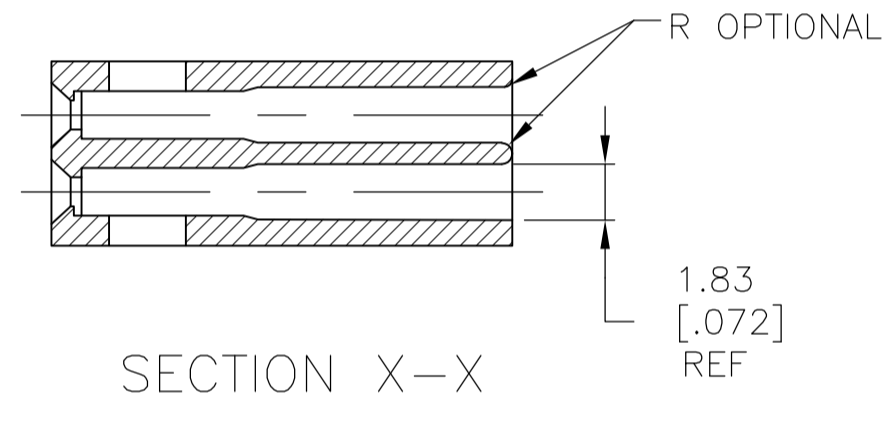
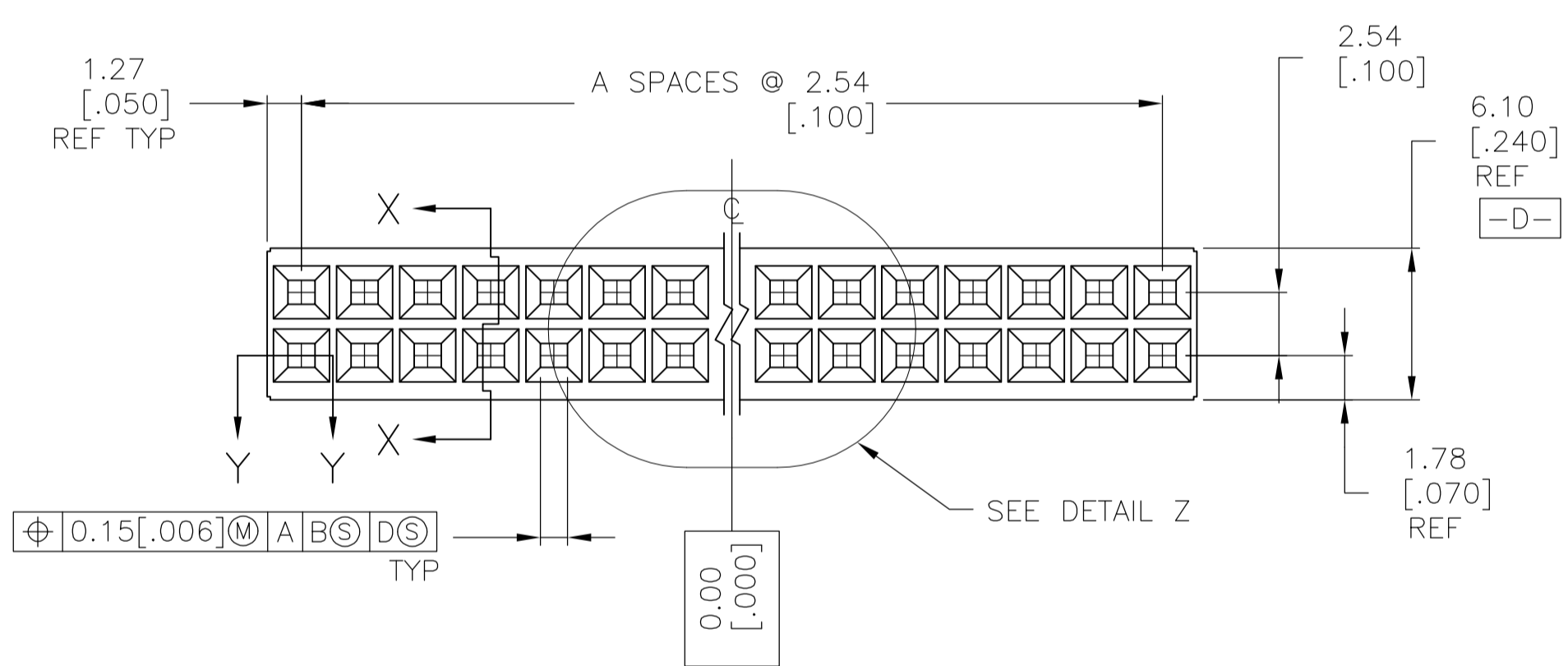
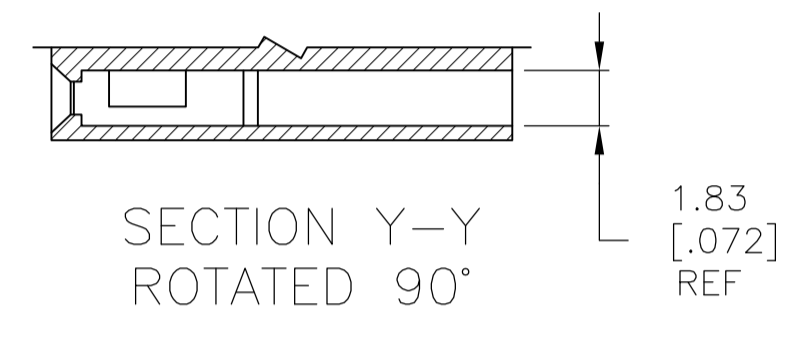
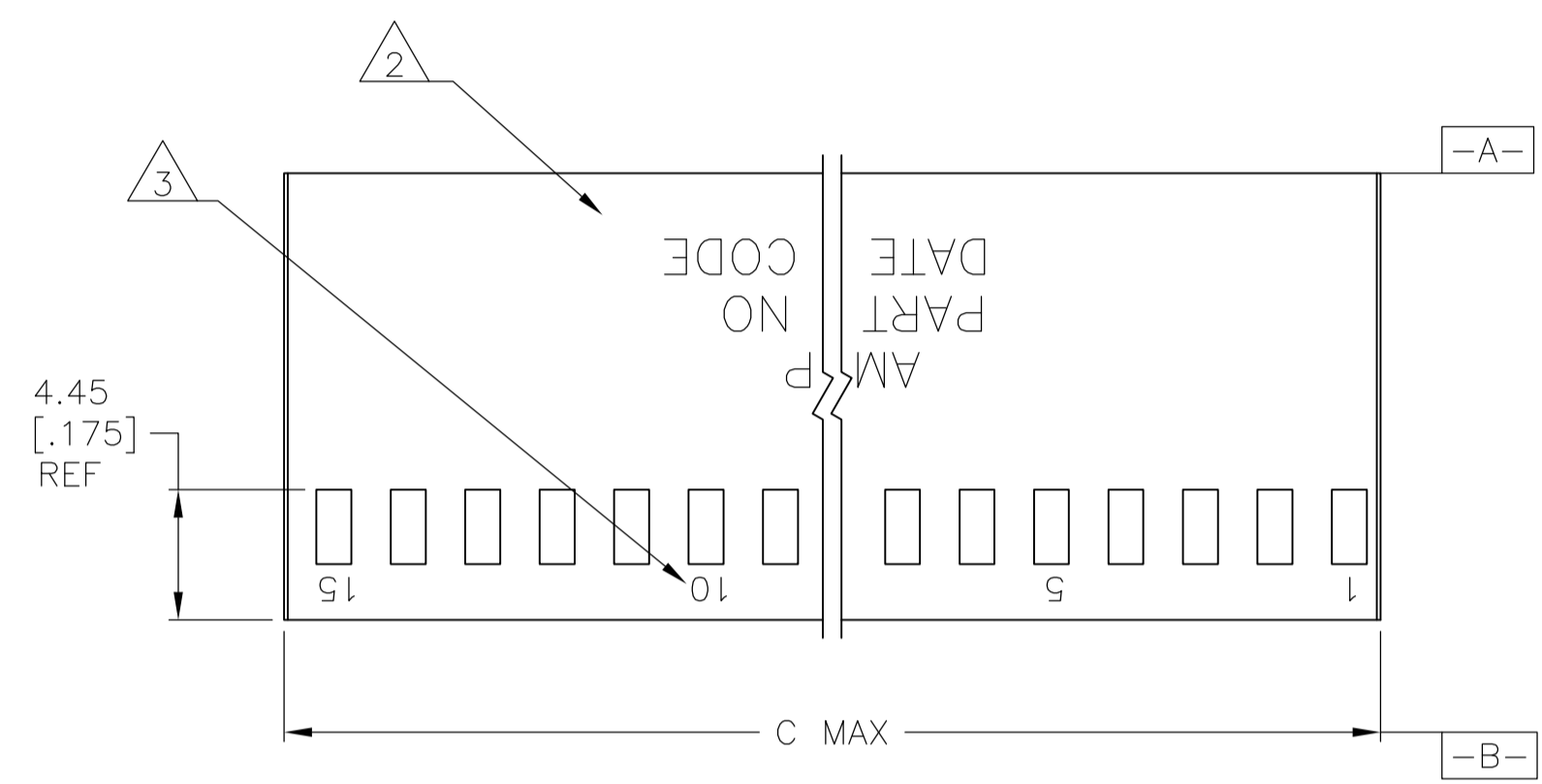
- Operating Temperature (°C) = -65 - +105

Other:

- Brand = AMP
- Comment = Strain reliefs are available and may be purchased separately.; No marking on this part number.; Contact Extraction/Lance Reset Tool No. 843996-3.

| LOC | | DIST | | REVISIONS | | | |
|-----|----|------|---------|-------------------|---------|-----|------|
| AD | 00 | P | LTR | DESCRIPTION | DATE | DMN | APVD |
| | | P2 | REVISED | PER ECO-11-004587 | 11MAR11 | RK | HMR |

- 1 OBSOLETE PART NO.
- 2 "AMP", PART NO. AND DATE CODE MARKED (WHITE), .062±.015 CHARS. WHEN HOUSING SIZE PERMITS
- 3 .046±.015 CHARS. MARKED (WHITE) FIRST AND EVERY 5TH CAVITY, ONE SIDE.
- 5 SUPERSEDED BY 3-87456-3.
- 6 SUPERSEDED BY 4-87456-5.
- 7 OBSOLETE PARTS: OBSOLETE CIS STREAMLINING PER D.RENAUD/D.SINISI



| | | | | |
|--------------------------|---------------|----|------------------|-----------------|
| 6-87456-5 | 81.28 [3.200] | 31 | 64 | 6-87456-6 |
| 6-87456-3 | 73.66 [2.900] | 28 | 58 | 6-87456-4 |
| 6-87456-1 | 71.12 [2.800] | 27 | 56 | 6-87456-2 |
| 5-87456-9 | 60.96 [2.400] | 23 | 48 | 6-87456-0 |
| 5-87456-7 | 83.82 [3.300] | 32 | 66 | 5-87456-4 |
| 5-87456-5 | 88.90 [3.505] | 34 | 70 | 5-87456-6 |
| 5-87456-3 | 2.67 [1.05] | - | 2 | - |
| 5-87456-1 | 76.33 [3.005] | 29 | 60 | 5-87456-2 |
| 4-87456-9 | 5.21 [2.05] | 1 | 4 | 5-87456-0 |
| 4-87456-7 | 91.57 [3.605] | 35 | 72 | 4-87456-8 |
| 4-87456-5 | 68.71 [2.705] | 26 | 54 | 4-87456-6 |
| 4-87456-3 | 53.47 [2.105] | 20 | 42 | 4-87456-4 |
| 4-87456-1 | 66.17 [2.605] | 25 | 52 | 4-87456-2 |
| 3-87456-9 | 63.63 [2.505] | 24 | 50 | 4-87456-0 |
| 3-87456-7 | 56.01 [2.205] | 21 | 44 | 3-87456-8 |
| 3-87456-5 | 50.93 [2.005] | 19 | 40 | 3-87456-6 |
| 3-87456-3 | 48.39 [1.905] | 18 | 38 | 3-87456-4 |
| 3-87456-1 | 45.85 [1.805] | 17 | 36 | 3-87456-2 |
| 2-87456-9 | 43.31 [1.705] | 16 | 34 | 3-87456-0 |
| 2-87456-7 | 40.77 [1.605] | 15 | 32 | 2-87456-8 |
| 2-87456-5 | 38.23 [1.505] | 14 | 30 | 2-87456-6 |
| 2-87456-3 | 35.69 [1.405] | 13 | 28 | 2-87456-4 |
| 2-87456-1 | 33.15 [1.305] | 12 | 26 | 2-87456-2 |
| 1-87456-9 | 30.61 [1.205] | 11 | 24 | 2-87456-0 |
| SUP BY 1-87456-7 | 28.07 [1.105] | 10 | 22 | 1-87456-8 |
| 1-87456-5 | 25.53 [1.005] | 9 | 20 | 1-87456-6 |
| 1-87456-3 | 22.99 [905] | 8 | 18 | 1-87456-4 |
| 1-87456-1 | 20.45 [805] | 7 | 16 | 1-87456-2 |
| 87456-9 | 17.91 [705] | 6 | 14 | 1-87456-0 |
| 87456-7 | 15.37 [605] | 5 | 12 | 87456-8 |
| 87456-5 | 12.83 [505] | 4 | 10 | 87456-6 |
| 87456-3 | 10.29 [405] | 3 | 8 | 87456-4 |
| 87456-1 | 7.75 [305] | 2 | 6 | 87456-2 |
| PART NO. WITHOUT MARKING | C | A | NO. OF POSITIONS | PART NO. MARKED |

THIS DRAWING IS A CONTROLLED DOCUMENT.

DIN E. BRANDBERG 11-06-92
 CHK J. GESFORD 11-30-92
 APVD J. GESFORD 11-30-92

STE TE Connectivity

HOUSING, MOD IV
 DOUBLE ROW, .100X.100 C/L
 CRIMP SNAP-IN, SHORT ENTRY

PRODUCT SPEC
 APPLICATION SPEC

SIZE CAGE CODE DRAWING NO. RESTRICTED TO
 A1 00779C=87456

MATERIAL GLASS FILLED NYLON
 COLOR BLACK PER ASTM D4066

FINISH -

WEIGHT -

CUSTOMER DRAWING SCALE 4:1 SHEET 1 OF 1 REV P2