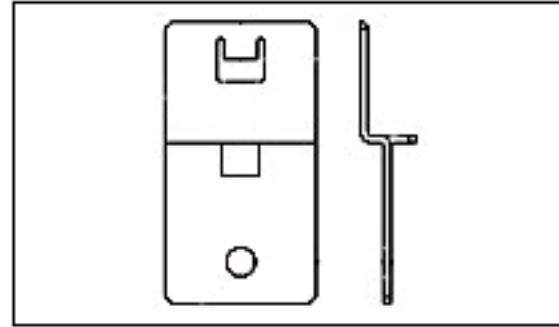


5900121-2 Product Details

[Share](#) [Print](#) [Email](#)



5900121-2

TE Internal Number: 5900121-2

Active

[View 3D PDF](#)

Dynamic Series Accessories

[Always EU RoHS/ELV Compliant \(Statement of Compliance\)](#)

Product Highlights:

- Accessory Type = L Fitting
- Product Series = D-3100D, D-3100S, D-3200M (Modular Type), D-3200S, D-3500D (Sensor)
- RoHS compliant, ELV compliant
- Lead Free Solder Processes = Not relevant for lead free process

[View all Features](#)

Quick Links

- ▶ [Check Pricing & Availability](#)
- ▶ [Search for Tooling](#)
- ▶ [Product Feature Selector](#)
- ▶ [Contact Us About This Product](#)

[Add to My Part List](#) [Request Sample](#) [Find Similar Products](#) [Buy Product](#)

Documentation & Additional Information

Product Drawings:

- [L METAL HOOK FOR DYNAMIC FREE HANGING \(D-3\)](#) (PDF, Japanese)
- ["L" METAL HOOK FOR DYNAMIC FREE HANGING \(D-3\)](#) (PDF, Japanese)

Catalog Pages/Data Sheets:

- None Available

Product Specifications:

- [Dynamic Connector D-3000 Series](#) (PDF, Japanese)

Application Specifications:

- None Available

Instruction Sheets:

- None Available

CAD Files: ([CAD Format & Compression Information](#))

- [2D Drawing](#) (DXF, Version A1)
- [3D Model](#) (IGES, Version A1)
- [3D Model](#) (STEP, Version A1)

Related Products:

- [Tooling](#)

[List all Documents](#)

Product Features (Please use the Product Drawing for all design activity)

Product Type Features:

- [Accessory Type](#) = L Fitting
- Product Series = D-3100D, D-3100S, D-3200M (Modular Type), D-3200S, D-3500D (Sensor)

Industry Standards:

- [RoHS/ELV Compliance](#) = RoHS compliant, ELV compliant
- [Lead Free Solder Processes](#) = Not relevant for lead free process
- RoHS/ELV Compliance History = Always was RoHS compliant

Packaging Features:

- Packaging Quantity = 500

Other:

- Brand = Tyco Electronics

Corporate Information

- [About TE](#)
- [Investors](#)
- [News Room](#)
- [Supplier Portal](#)
- [Careers](#)

Quick Links

- [Check Distributor Inventory](#)
- [Cross Reference Products](#)
- [Find Documents & Drawings](#)
- [Product Compliance Support Center](#)
- [Site Map](#)

Customer Support

- [Email or Chat With Us](#)
- [Find a Phone Number](#)
- [Search Knowledge Base](#)
- [Manage Your Account](#)

Keep Me Informed

Receive TE News, Events & Technology Updates

