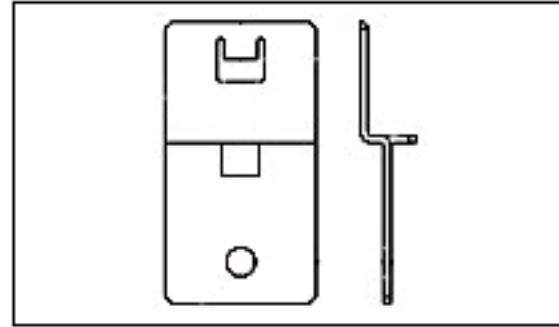


5900121-4 Product Details

[Share](#) |
 [Print](#) |
 [Email](#)



5900121-4

TE Internal Number: 5900121-4

Active

[View 3D PDF](#)

Dynamic Series Accessories

[Always EU RoHS/ELV Compliant \(Statement of Compliance\)](#)

Product Highlights:

- Accessory Type = L Fitting
- Product Series = D-3100D, D-3100S, D-3200M (Modular Type), D-3200S, D-3500D (Sensor)
- RoHS compliant, ELV compliant
- Lead Free Solder Processes = Not relevant for lead free process

[View all Features](#)

[Add to My Part List](#) |
 [Request Sample](#) |
 [Find Similar Products](#) |
 [Buy Product](#)

Quick Links

- ▶ [Check Pricing & Availability](#)
- ▶ [Search for Tooling](#)
- ▶ [Product Feature Selector](#)
- ▶ [Contact Us About This Product](#)

Documentation & Additional Information

Product Drawings:

- [L METAL HOOK FOR DYNAMIC FREE HANGING \(D-3\)](#) (PDF, Japanese)
- ["L" METAL HOOK FOR DYNAMIC FREE HANGING \(D-3\)](#) (PDF, Japanese)

Catalog Pages/Data Sheets:

- None Available

Product Specifications:

- [Dynamic Connector D-3000 Series](#) (PDF, Japanese)

Application Specifications:

- None Available

Instruction Sheets:

- None Available

CAD Files: ([CAD Format & Compression Information](#))

- [2D Drawing](#) (DXF, Version A1)
- [3D Model](#) (IGES, Version A1)
- [3D Model](#) (STEP, Version A1)

Related Products:

- [Tooling](#)

[List all Documents](#)

Product Features (Please use the Product Drawing for all design activity)

Product Type Features:

- [Accessory Type](#) = L Fitting
- Product Series = D-3100D, D-3100S, D-3200M (Modular Type), D-3200S, D-3500D (Sensor)

Industry Standards:

- [RoHS/ELV Compliance](#) = RoHS compliant, ELV compliant
- [Lead Free Solder Processes](#) = Not relevant for lead free process
- RoHS/ELV Compliance History = Always was RoHS compliant

Packaging Features:

- Packaging Quantity = 500

Other:

- Brand = Tyco Electronics

Corporate Information

[About TE](#)
[Investors](#)
[News Room](#)
[Supplier Portal](#)
[Careers](#)

Quick Links

[Check Distributor Inventory](#)
[Cross Reference Products](#)
[Find Documents & Drawings](#)
[Product Compliance Support Center](#)
[Site Map](#)

Customer Support

[Email or Chat With Us](#)
[Find a Phone Number](#)
[Search Knowledge Base](#)
[Manage Your Account](#)

Keep Me Informed

Receive TE News, Events & Technology Updates

Enter your email address

