

Distributed by:

JAMECO[®]
ELECTRONICS

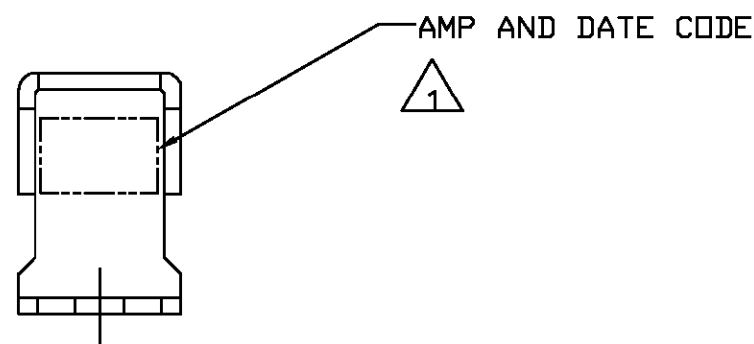
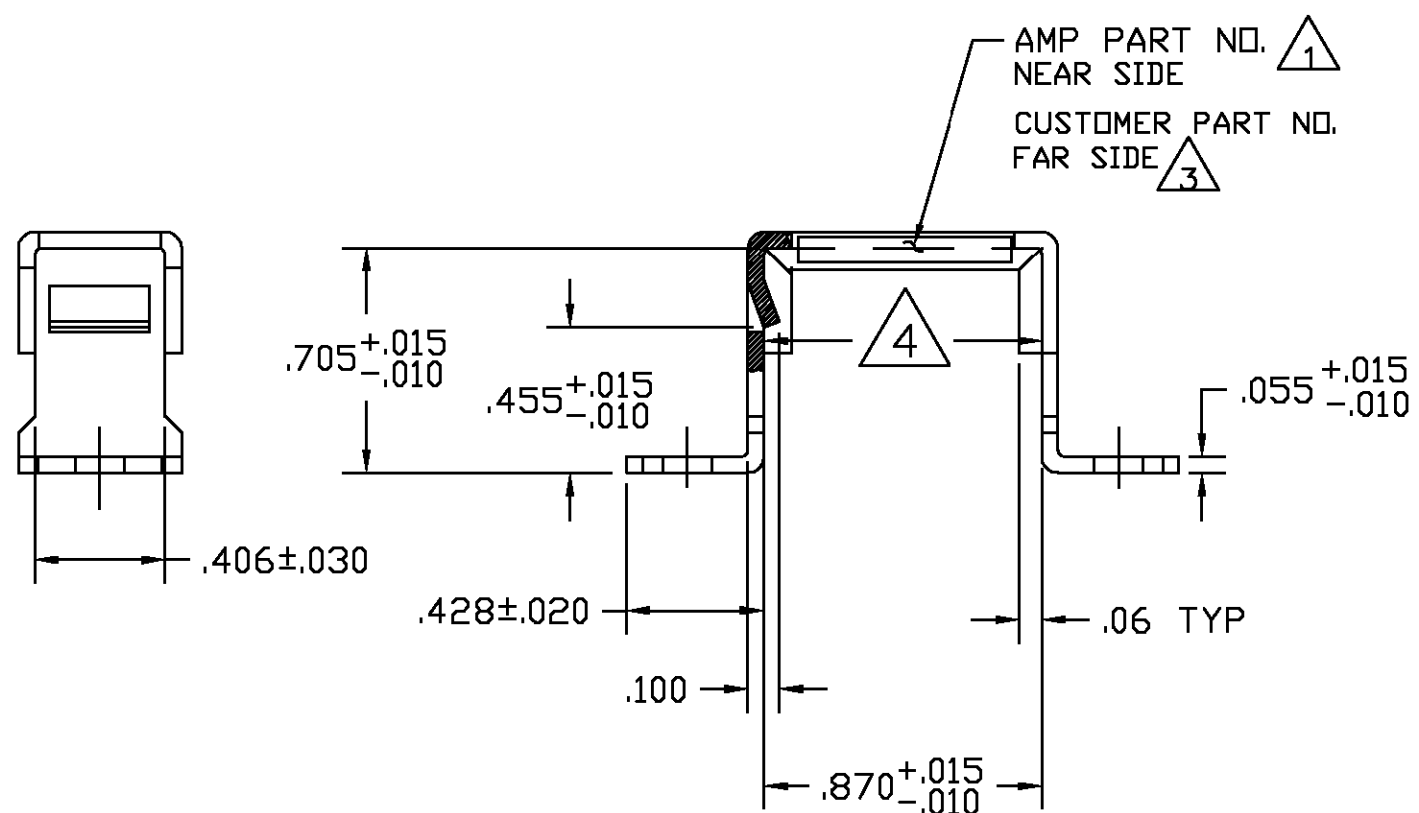
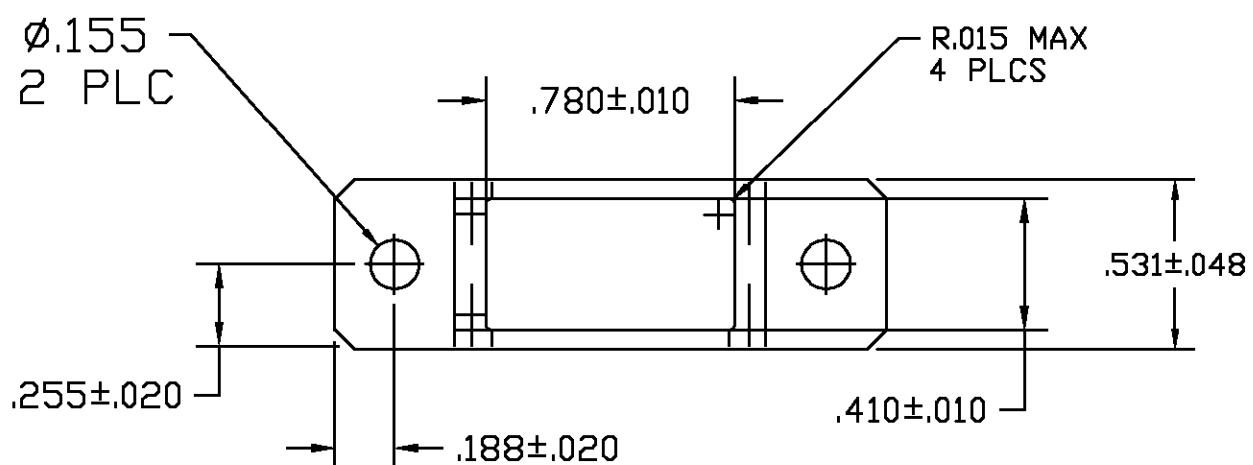
www.Jameco.com ♦ 1-800-831-4242

The content and copyrights of the attached
material are the property of its owner.

Jameco Part Number 755569

THIS DRAWING IS UNPUBLISHED. RELEASED FOR PUBLICATION .19
 © COPYRIGHT 19 BY AMP INCORPORATED. ALL RIGHTS RESERVED.

LOC		DIST		REVISIONS			
P	LTR	DESCRIPTION	DATE	DWN	APVD		
DF	AO	B	REV & REDRAWN;OG3D-0167-00	4-00	CT	DM	



- 1 "AMP", AMP PART NO. AND DATE CODE MARKED WITH .060 MINIMUM HIGH CHARACTERS AT APPROXIMATE AREA SHOWN.
- 2. THIS FRAME ASSEMBLY ACCOMMODATES SIZE 22, 20 AND 16 FEED-BACK MODULE FOR SINGLE MODULE MOUNTING.
- 3 CUSTOMER PART NO. MARKED (IF REQUIRED) WITH .060 MINIMUM HIGH CHARACTERS AT APPROXIMATE AREA SHOWN.
- 4 MEASUREMENT POINT OF .870 DIMENSION.

ELECTROLESS NICKEL PER QQ-N-290	ALUMINUM ALLOY 6061-T4	-----	591637-9
BLACK ANODIZED PER MIL-A-8625 TYPE II, CLASS 2	ALUMINUM ALLOY 6061-T4	8400-041-0020	591637-5
BLACK ANODIZED PER MIL-A-8625 TYPE II, CLASS 2	ALUMINUM ALLOY 6061-T4	53711-5190993	591637-4
BLACK ANODIZED PER MIL-A-8625 TYPE II, CLASS 2	ALUMINUM ALLOY 6061-T4	19207-12301876	591637-3
BLACK ANODIZED PER MIL-A-8625 TYPE II, CLASS 2	ALUMINUM ALLOY 6061-T4	19207-12283284	591637-2
BLACK ANODIZED PER MIL-A-8625 TYPE II, CLASS 2	ALUMINUM ALLOY 6061-T4	-----	591637-1
FINISH	MATERIAL	CUSTOMER NO. 3	PART NUMBER

THIS DRAWING IS A CONTROLLED DOCUMENT.

DIMENSIONS: INCHES	TOLERANCES UNLESS OTHERWISE SPECIFIED:	DWN C.C.THOMAS 4-25-00	AMP Incorporated Harrisburg, PA 17105-3608
	0 PLC ±	CHK D.MILLER 4-25-00	
	1 PLC ±	APVD D.MILLER 4-25-00	
	2 PLC ±.01	NAME	
3 PLC ±.005	PRODUCT SPEC	BRACKET,GROUNDING MODULE ASSEMBLY,TJ	
4 PLC ±	APPLICATION SPEC	SIZE	RESTRICTED TO
ANGLES ±	FINISH	CAGE CODE	
MATERIAL SEE TABLE	FINISH SEE TABLE	DRAWING NO	
		WEIGHT	
		CUSTOMER DRAWING	

SCALE 2:1 SHEET 1 OF 1 REV B