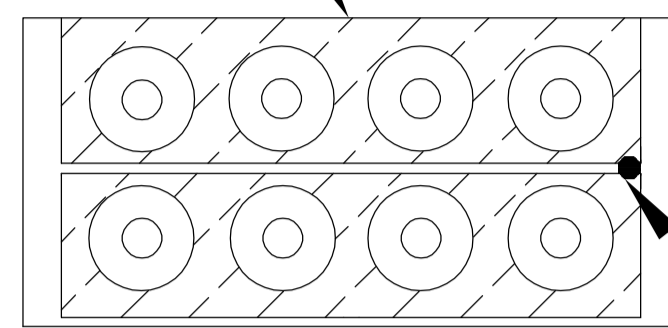


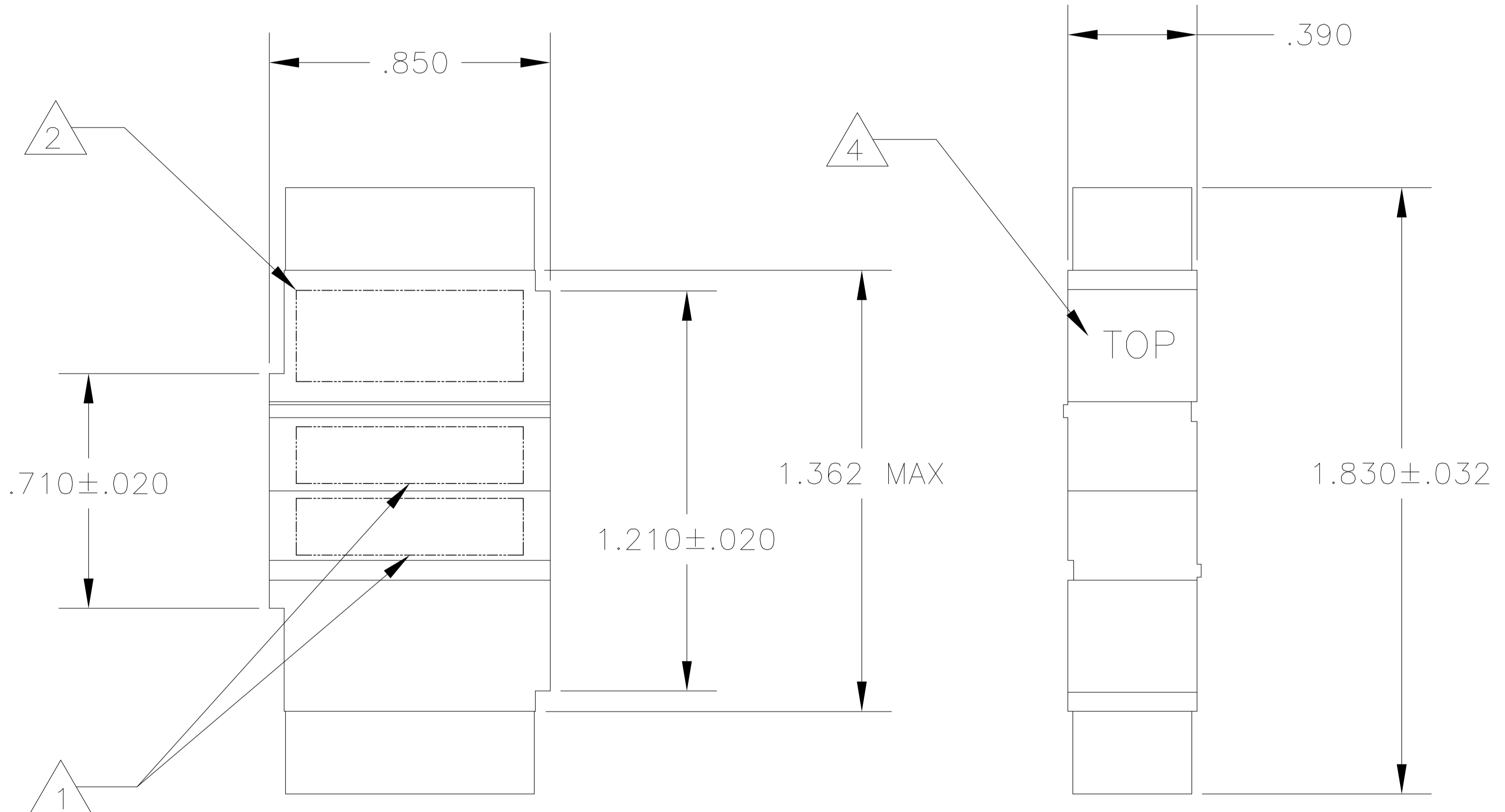
DESCRIPTION	MATERIAL	FINISH
MODULE ASSEMBLY	D.A.P. PER MIL-M14	COLOR: RED
GROMMET	FLOURSILICONE 40/50 PER MIL-R-25988	COLOR: NATURAL
CONTACT SOCKET	BERYLLIUM COPPER PER ASTM-B194	GOLD PLATE PER MIL-G-45204
RETAINING CLIP	BERYLLIUM COPPER PER ASTM-B194 OR STAINLESS STEEL PER QQ-S-766	NONE

LOC	DIST	REVISIONS			
DF	AO	REV	DESCRIPTION	DATE	BY
		B	REV PER OG3D-0456-02	1-04	JMK DE

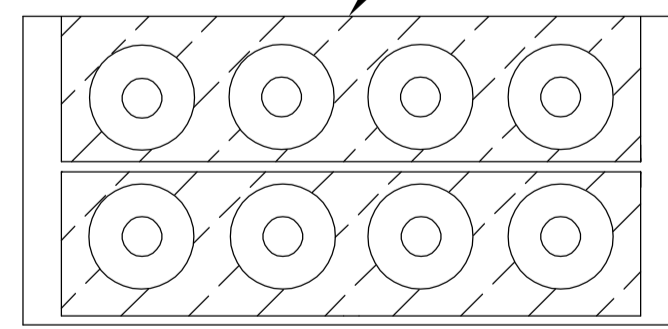
TOP BUSSING ARRANGEMENT



INDEXING INDICATOR



BOTTOM BUSSING ARRANGEMENT



- 1 MARK MODULE ASSEMBLY WITH "AMP", AMP PART NO. AND DATE CODE ON EITHER SIDE.
- 2 MARK MODULE ASSEMBLY WITH CUSTOMER PART NO. 12093B16E13-204 ON EITHER SIDE.
- 3. ROLLS ROYCE QUALITY SPECIFICATION CQC-103 IS INVOKED FOR THIS PART NO.
- 4 MARK WORD "TOP" AT LOCATION SHOWN.

592847-1  
PART NO.

THIS DRAWING IS A CONTROLLED DOCUMENT.		DIN N. FRITZ 09-20-93	 Tyco Electronics Corporation Harrisburg, PA 17105-3608
DIMENSIONS: INCHES		CHK R. RYAN 09-21-93	
TOLERANCES UNLESS OTHERWISE SPECIFIED:		APPROV R. RYAN 09-21-93	NAME R. RYAN PRODUCT SPEC
0 PLC ± - 1 PLC ± - 2 PLC ± - 3 PLC ± .005 4 PLC ± - ANGLES ± -		APPLICATION SPEC	SIZE A1
MATERIAL		WEIGHT	CAGE CODE 00779
FINISH		CUSTOMER DRAWING	DRAWING NO. 592847
		SCALE 2:1	RESTRICTED TO 1 OF 1