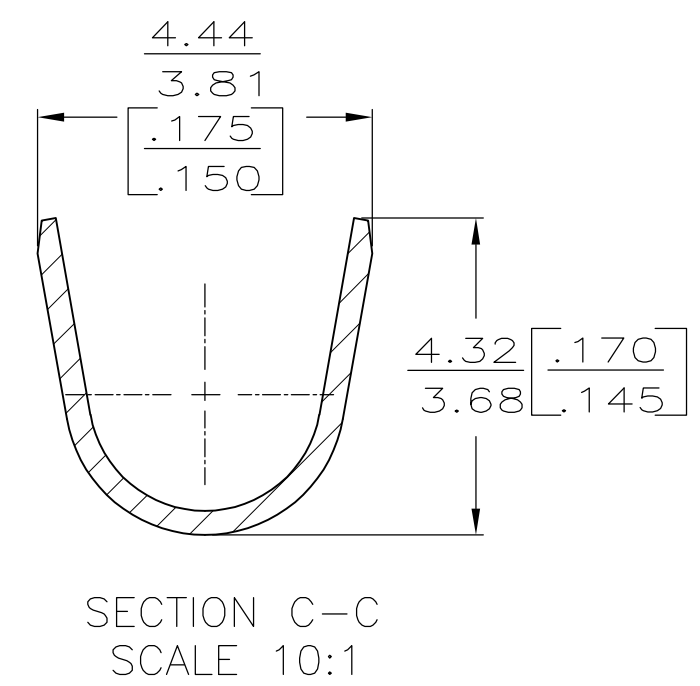
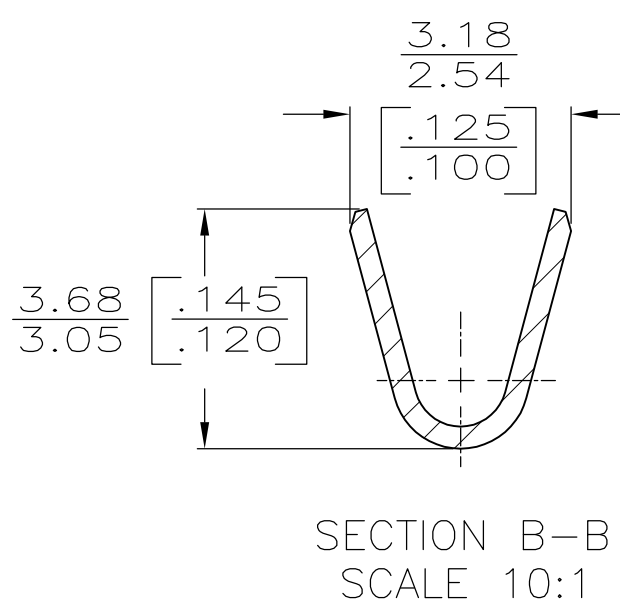
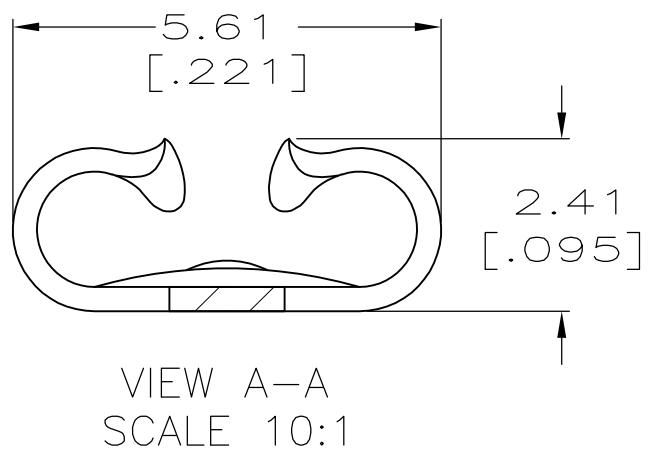
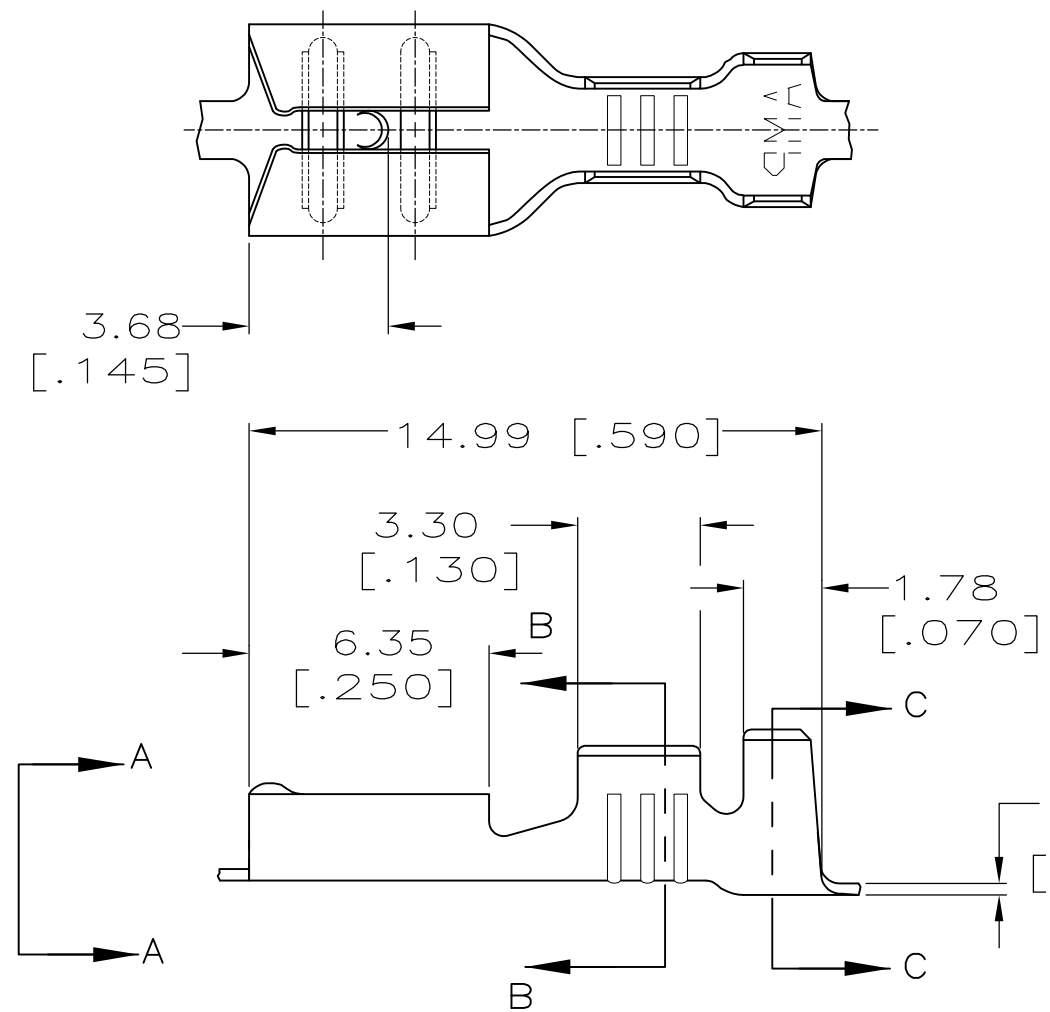


THIS DRAWING IS UNPUBLISHED. RELEASED FOR PUBLICATION
 © COPYRIGHT - By - ALL RIGHTS RESERVED.

LOC	DIST	REVISIONS			
P	LTR	DESCRIPTION	DATE	DWN	APVD
AF	50	S2	REVISED PER ECR-15-010442	14JULY2015	PK TD

- CONTINUOUS STRIP ON REELS.
- MATING TAB THK IS 0.81 ± 0.025
[.032 ± .001].
- WIRE SIZE IS [20-16] AWG.
- INSULATION RANGE IS 2.29-3.30
[.090-.130] DIA.
- 60196-8 REFERS TO 60196-1 WITH PAPER INTERLAYER



-	-	60196-8 ⁵
60196-3	TIN	60196-2
-	-	60196-1
LOOSE PIECE	FINISH	PART NO

THIS DRAWING IS A CONTROLLED DOCUMENT.		DWN	JR RUTH	8/27/91	STE TE Connectivity																
DIMENSIONS: INCHES		CHK	P FORTNEY	8/27/91				NAME RECEPTACLE, FASTON, 4.75 [.187] SERIES													
TOLERANCES UNLESS OTHERWISE SPECIFIED:		APVD	C MEYERS	8/27/91	PRODUCT SPEC - APPLICATION SPEC -																
<table border="0"> <tr><td>0 PLC</td><td>± -</td></tr> <tr><td>1 PLC</td><td>± -</td></tr> <tr><td>2 PLC</td><td>± 0.38 [.015]</td></tr> <tr><td>3 PLC</td><td>± -</td></tr> <tr><td>4 PLC</td><td>± -</td></tr> <tr><td>ANGLES</td><td>± -</td></tr> </table>		0 PLC	± -	1 PLC				± -	2 PLC	± 0.38 [.015]	3 PLC	± -	4 PLC	± -	ANGLES	± -	SIZE	A3	CAGE CODE	00779	DRAWING NO
0 PLC	± -																				
1 PLC	± -																				
2 PLC	± 0.38 [.015]																				
3 PLC	± -																				
4 PLC	± -																				
ANGLES	± -																				
MATERIAL: BRASS		FINISH	SEE TABLE	WEIGHT	-	CUSTOMER DRAWING		SCALE	5:1	SHEET	1 OF 1	REV	S2								