

Distributed by:

JAMECO[®]
ELECTRONICS

www.Jameco.com ♦ 1-800-831-4242

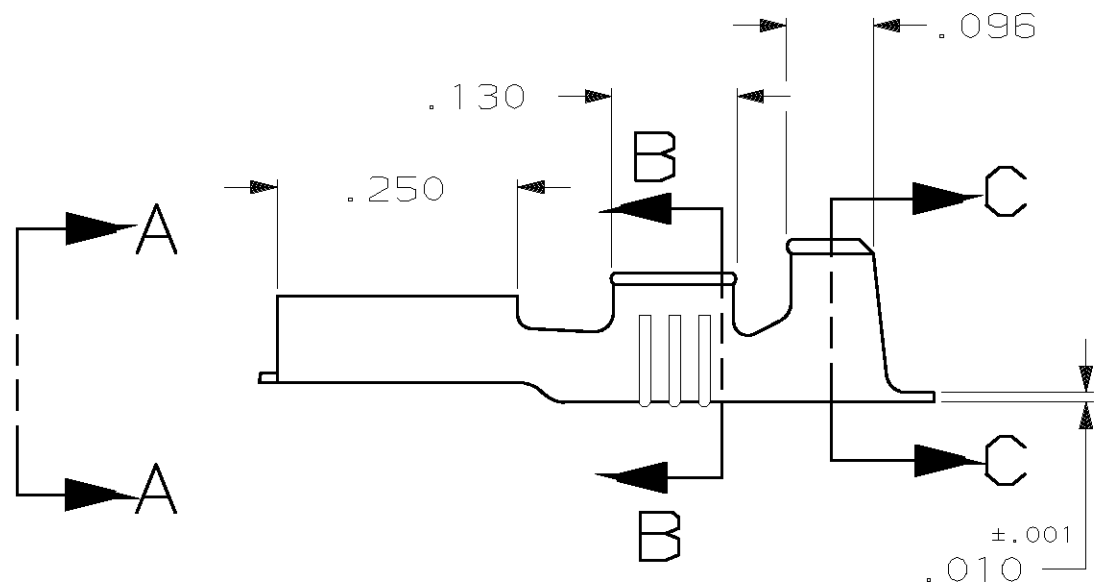
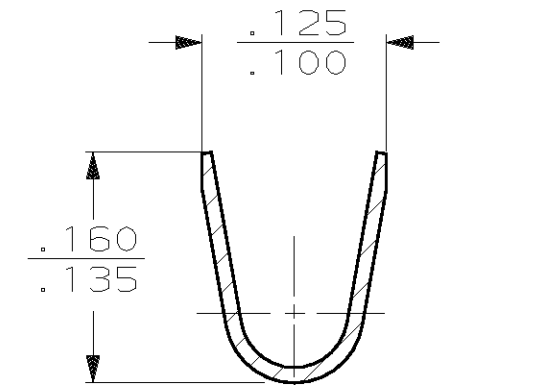
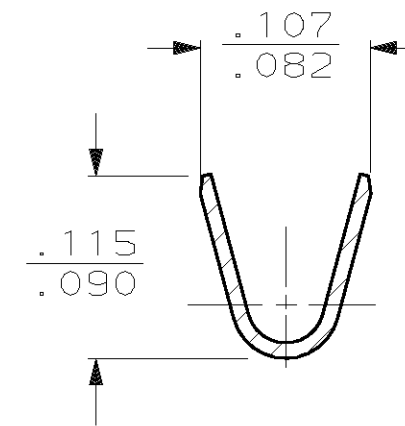
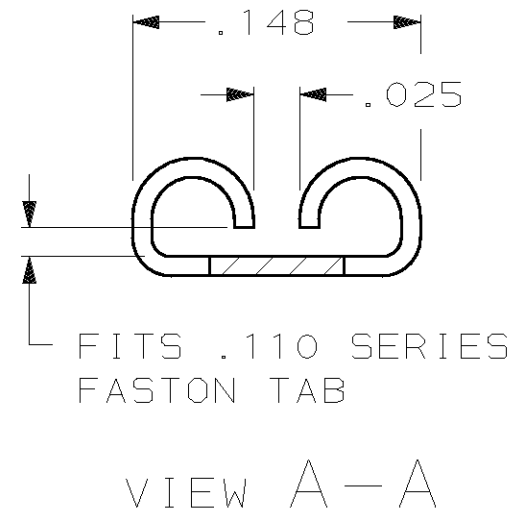
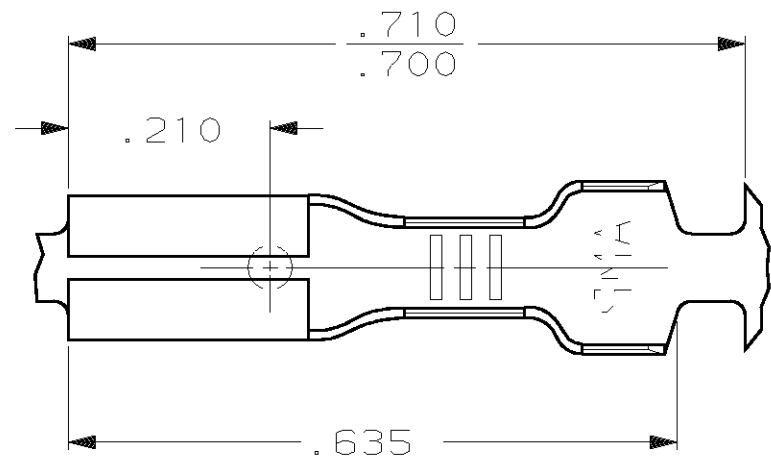
The content and copyrights of the attached
material are the property of its owner.

Jameco Part Number 962550

THIS DRAWING IS UNPUBLISHED. RELEASED FOR PUBLICATION, 19 .
 © COPYRIGHT 19 BY AMP INCORPORATED. ALL INTERNATIONAL RIGHTS RESERVED.

LOC	DIST	P	F	REVISIONS				
				ZONE	LTR	DESCRIPTION	DATE	APPD
AF	50				AP	REL PER 063A-0355-02	13JUN02	JR/PPD

- CONTINUOUS STRIP ON REELS.
- MATING TAB THK IS .032±.001.



.060-.100 DIA	#22-#18 AWG	PLAIN	60197-2
		PRE-TIN	60197-1
INSUL RANGE	WIRE SIZE	FINISH	PART NO
DO NOT SCALE PRINT. UNLESS SPECIFIED DIMENSIONS IN mm [INCHES] TOLERANCES ON: 2 PLC DEC ± - 3 PLC DEC ± .015 ANGLES ± -	DR 6/23/87 JR RUTH CHK 6/23/87 G YETTER APPD 6/23/87 C MEYERS APPD 6/23/87 R KUZO	AMP AMP Incorporated Harrisburg, PA 17105-3608	
MATERIAL #4H BRASS	PRODUCT SPEC -	NAME RECEPTACLE, FASTON,™ .110 SERIES	
FINISH SEE TABLE	APPLICATION SPEC -	SIZE B	CAGE CODE 00779
	WEIGHT -	DRAWING NO C-60197	SHEET 1 OF 1
		SCALE 5:1	

THIS DRAWING IS A CONTROLLED DOCUMENT FOR AMP INCORPORATED. IT IS SUBJECT TO CHANGE AND THE CONTROLLING ENGINEERING ORGANIZATION SHOULD BE CONTACTED FOR THE LATEST REVISION.