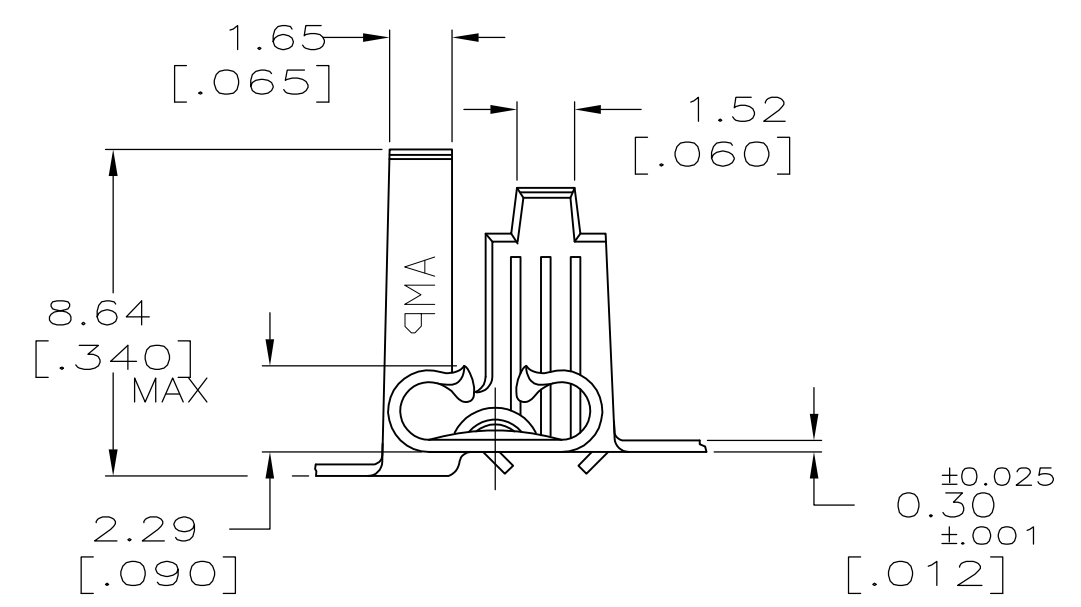
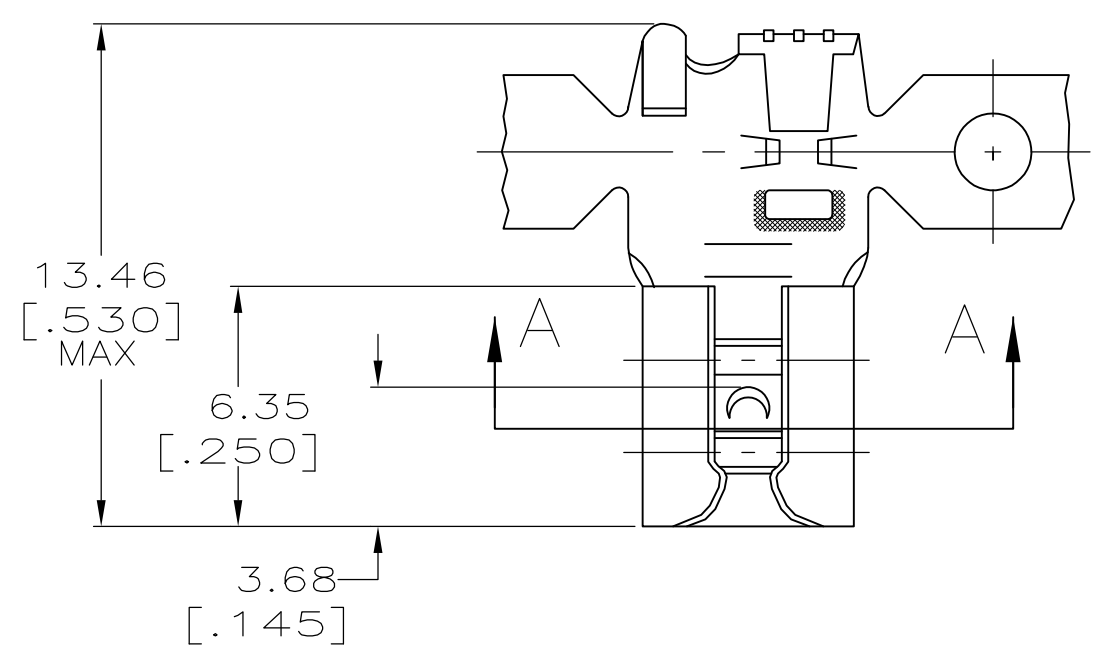
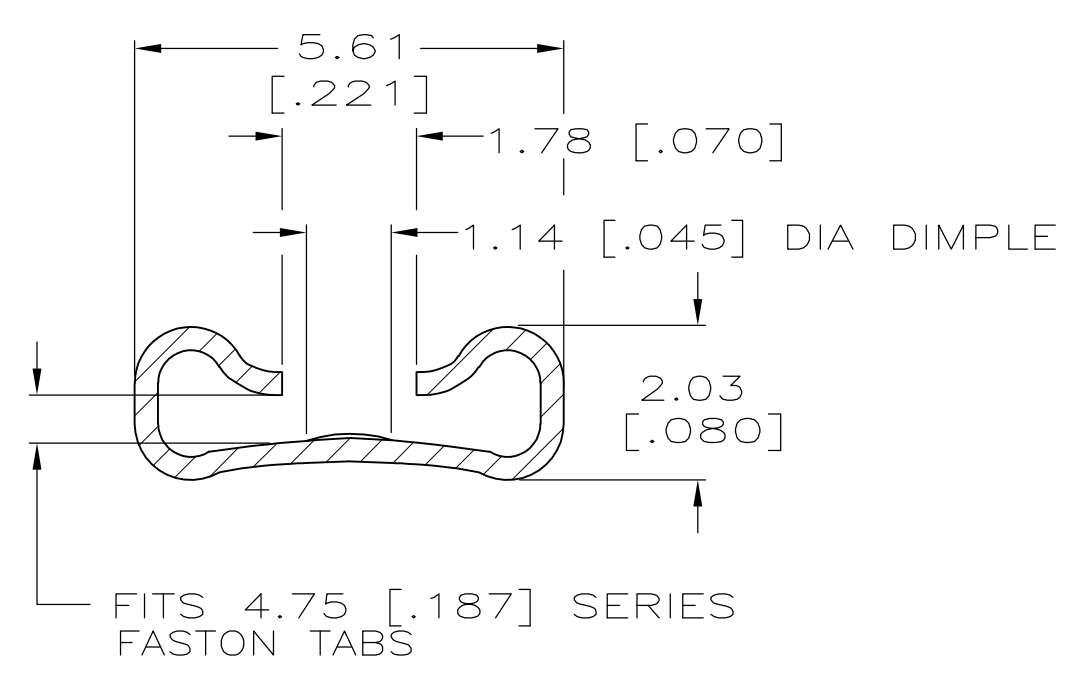


THIS DRAWING IS UNPUBLISHED. RELEASED FOR PUBLICATION
 © COPYRIGHT - By - ALL RIGHTS RESERVED.

REVISIONS				
P	LTR	DESCRIPTION	DATE	APVD
	H1	REVISED PER ECR-16-010719	26JUL2016	LP TD



1 CONTINUOUS STRIP ON REELS.
 △ HIGHER 1ST/6TH RETENTION FORCE



SECTION A-A
SCALE 10:1

TIN	2.79-4.32	0.5-1.3mm ²	0.81 [.032]	1-60529-2
TIN	[.110-.170] DIA	[20-16]AWG		60529-2
-				60529-1
FINISH	INSULATION RANGE	WIRE SIZE	MATING TAB THK ±0.025 [.001]	PART NO

THIS DRAWING IS A CONTROLLED DOCUMENT.		DWN JR RUTH 11/1/91	STE TE Connectivity	
DIMENSIONS: INCHES		CHK MS FEHER 11/1/91		
TOLERANCES UNLESS OTHERWISE SPECIFIED:		APVD C MEYERS 11/1/91	NAME	
0 PLC ± -		PRODUCT SPEC	RECEPTACLE, FASTON, 4.75 [.187] SERIES	
1 PLC ± -		APPLICATION SPEC	SIZE CAGE CODE DRAWING NO RESTRICTED TO	
2 PLC ± 0.25 [.010]			A3 00779 C-60529	
3 PLC ± -			SCALE 5:1 SHEET 1 OF 1 REV H1	
4 PLC ± -				
ANGLES ± -				
FINISH		WEIGHT 0.000000		
SEE TABLE		CUSTOMER DRAWING		
MATERIAL BRASS				

