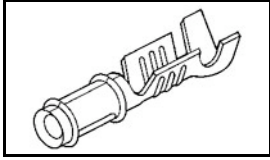


## 60983-1 Product Details

[Share](#) [Print](#) [Email](#)



**60983-1**

TE Internal Number: 60983-1

 Active

[View 3D PDF](#)

### Printed Circuit Board Disconnects

 Always EU RoHS/ELV Compliant  
(Statement of Compliance)

### Product Highlights:

- Contact Type = Socket
- A Body Shape
- Disconnect Diameter = 1.47 mm
- Wire Range = 0.12-0.40<sup>2</sup> [26-22] mm [AWG]
- With Insulation Support

[View all Features](#)

### Quick Links

- ▶ [Pricing & Availability](#)
- ▶ [Search for Tooling](#)
- ▶ [Product Feature Selector](#)
- ▶ [Contact Us About This Product](#)

[Add to My Part List](#)

[Request Sample](#)

[Find Similar Products](#)

[Buy Product](#)

### Documentation & Additional Information

#### Product Drawings:

- [RECEPTACLE, .058 DIAMETER, 26-22 AWG, .035-.065 INSU... \(PDF, English\)](#)

#### Catalog Pages/Data Sheets:

- [PRINTED CIRCUIT BOARD TERMINALS AND DISCONNECTS \(PDF, English\)](#)

#### Product Specifications:

- [.058 Diameter Printed Circuit Board Disconnect System \(PDF, English\)](#)

#### Application Specifications:

- [.058 and .093 Diameter Printed Circuit Board Pins an... \(PDF, English\)](#)

#### Instruction Sheets:

- [Hand Crimping Tool 90131-4 \(PDF, English\)](#)

#### CAD Files: (CAD Format & Compression Information)

- [2D Drawing \(DXF, Version Z\)](#)
- [3D Model \(IGES, Version Z\)](#)
- [3D Model \(STEP, Version Z\)](#)

[List all Documents](#)

#### Additional Information:

- [Product Line Information](#)

#### Related Products:

- [Tooling](#)

### Product Features (Please use the Product Drawing for all design activity)

#### Product Type Features:

- [Insulation Support](#) = Yes

#### Dimensions:

- [Insulation Diameter \(mm \[in\]\)](#) = 0.89-1.65 [.035-.065]

#### Body Features:

- [Body Shape](#) = A
- [Disconnect Diameter \(mm \[in\]\)](#) = 1.47 [0.058]
- [Wire Range \(mm \[AWG\]\)](#) = 0.12-0.40<sup>2</sup> [26-22]
- [Material](#) = Phosphor Bronze
- [Plating Material](#) = Gold (30)
- [Stock Thickness \(mm \[in\]\)](#) = 0.25 [0.010]

#### Contact Features:

- [Contact Type](#) = Socket

#### Industry Standards:

- [RoHS/ELV Compliance](#) = RoHS compliant, ELV compliant
- [Lead Free Solder Processes](#) = Not relevant for lead free process
- [RoHS/ELV Compliance History](#) = Always was RoHS compliant

#### Packaging Features:

- [Packaging Method](#) = Loose Piece

#### Other:

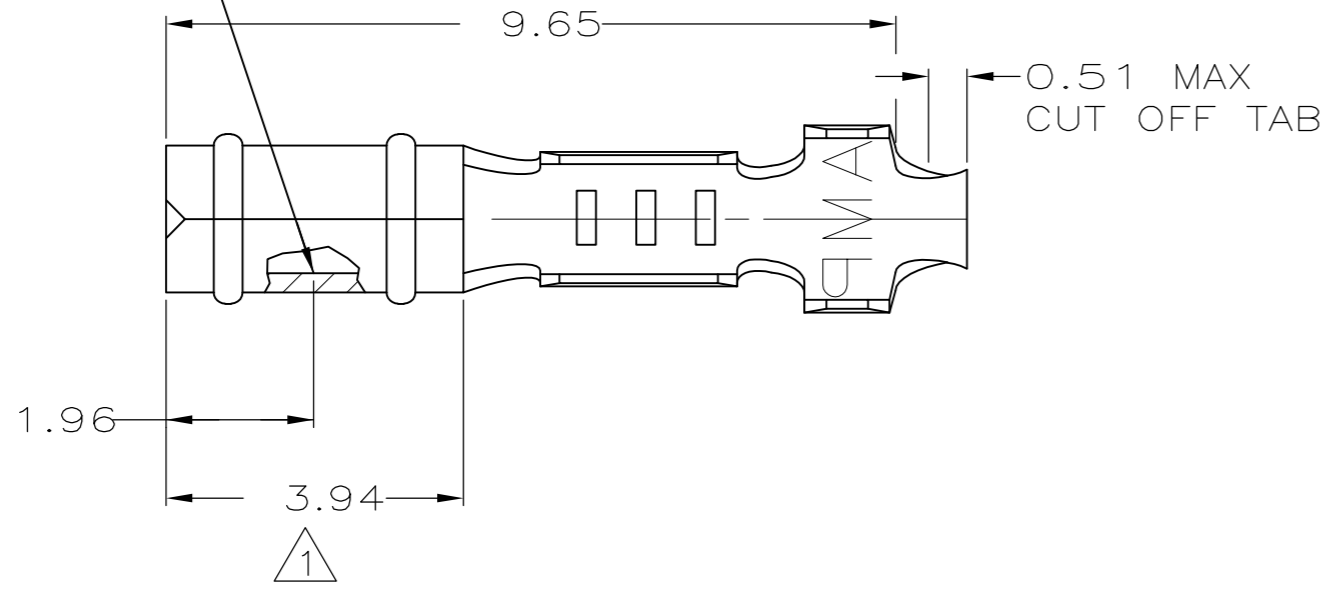
- [Brand](#) = AMP

THIS DRAWING IS UNPUBLISHED. RELEASED FOR PUBLICATION  
 © COPYRIGHT - By - ALL RIGHTS RESERVED.

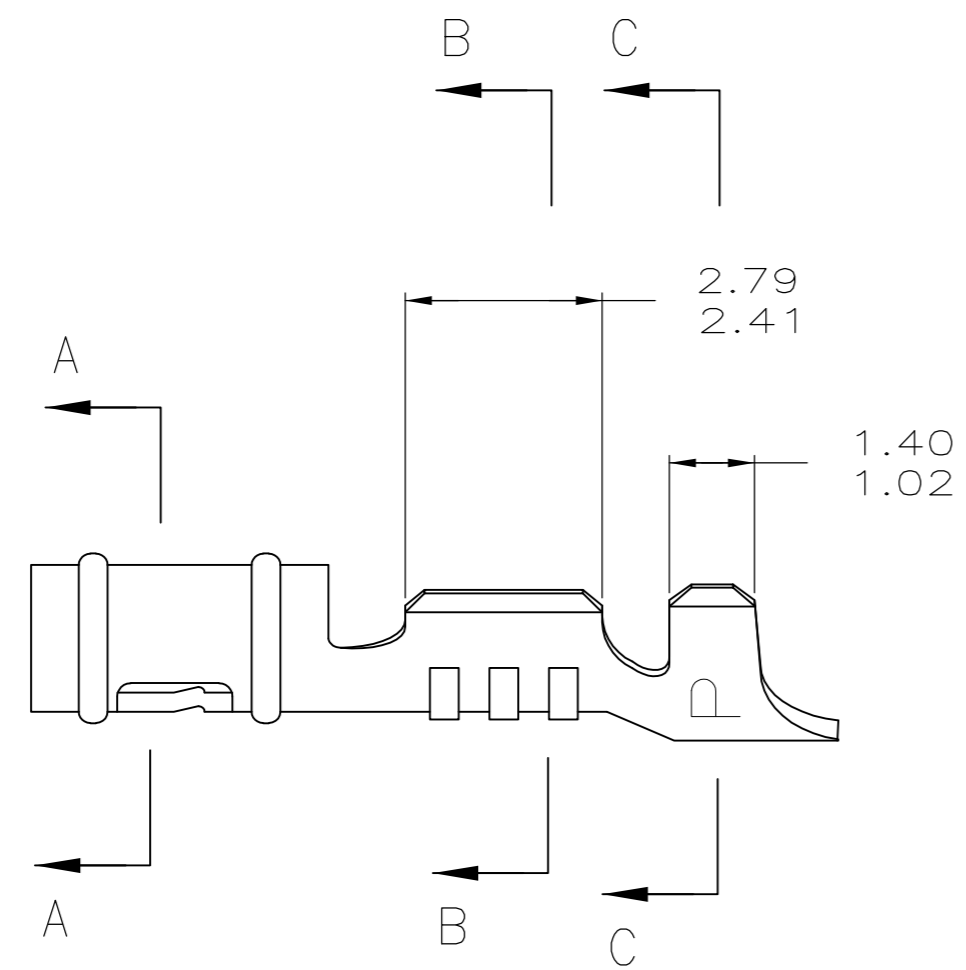
LOC		DIST		REVISIONS			
P	LTR	DESCRIPTION		DATE	DWN	APVD	
	Z1	REVISED PER ECO-11-004917		11MAR11	RK	HMR	

- 1. 0.00076 MIN SELECTIVE GOLD PLATING ON INSIDE OF RECEPTACLE OVER NICKEL OVER ALL UNDERPLATE.
- 2. WIRE RANGE: 0.12 - 0.4 MM<sup>2</sup> (26 - 22 AWG)
- 3. INSULATION RANGE: 0.89 - 1.65

POINT OF MEASUREMENT  
 90° FROM SEAM



SECTION A-A



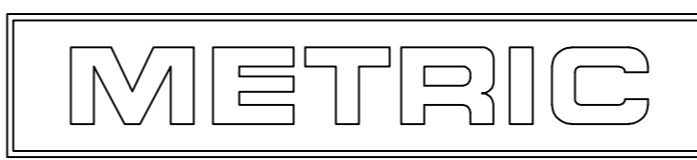
SECTION B-B

SECTION C-C

MATTE TIN	0.25 BE COPPER	60983-4
△	0.25 BE COPPER	60983-3
PRE-TIN	0.25 PH BRZ	60983-2
△	0.25 PH BRZ	60983-1
FINISH	MATERIAL	PART NUMBER

1.02	.040	1.65	.065	2.67	.105	-	-
0.89	.035	1.63	.064	2.41	.095	-	-
0.51	.020	1.486	.0585	2.29	.090	-	-
0.25	.010	1.47	.058	2.06	.081	9.65	.380
0.13	.005	1.40	.055	1.96	.077	3.94	.155
0.00076	0.00030	1.359	.0535	1.91	.075	2.79	.110
MM	IN	MM	IN	MM	IN	MM	IN

CONVERSION TABLE



THIS DRAWING IS A CONTROLLED DOCUMENT.

DIMENSIONS:	TOLERANCES UNLESS OTHERWISE SPECIFIED:	DWN	6-11-97	 TE Connectivity			
mm		T. BECK	6-11-97				
		R. SWING	6-17-97				
		A. BEDDICK	6-17-97				
		APVD		NAME			
		PRODUCT SPEC		108-1025			
		APPLICATION SPEC		114-1008			
MATERIAL	FINISH	WEIGHT		SIZE	CAGE CODE	DRAWING NO	RESTRICTED TO
SEE TABLE	SEE TABLE	-		A2	00779	C-60983	-
		CUSTOMER DRAWING	SCALE	10:1	SHEET	1 of 1	REV
							Z1