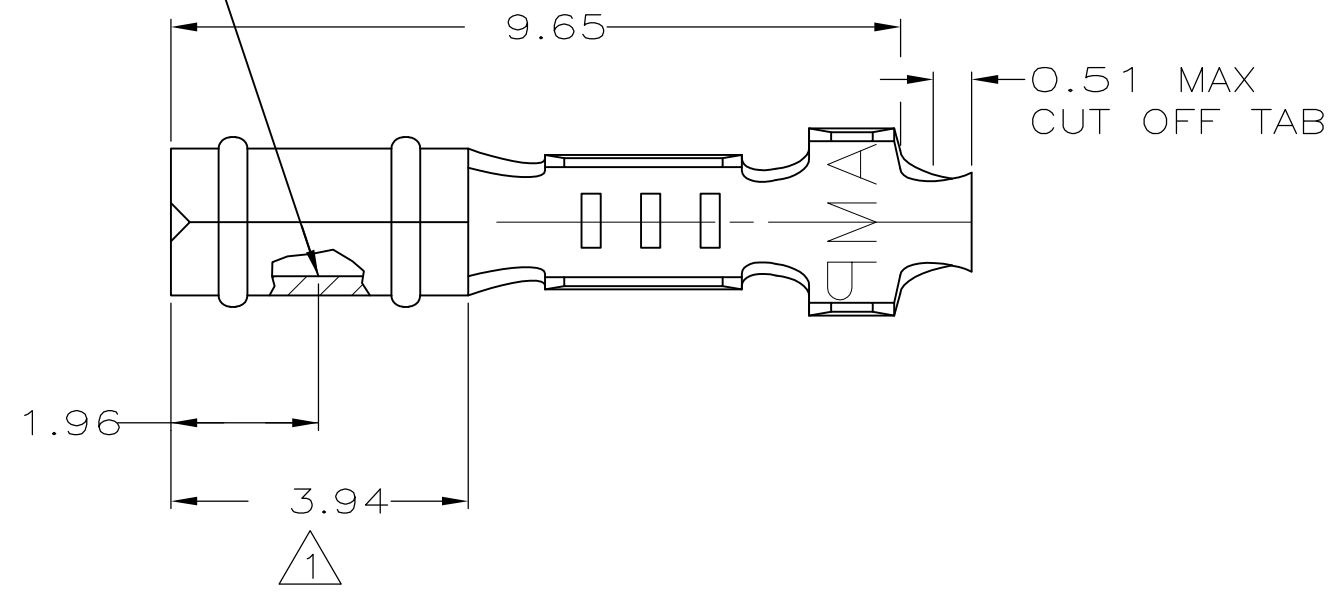


THIS DRAWING IS UNPUBLISHED. RELEASED FOR PUBLICATION  
 © COPYRIGHT - By - ALL RIGHTS RESERVED.

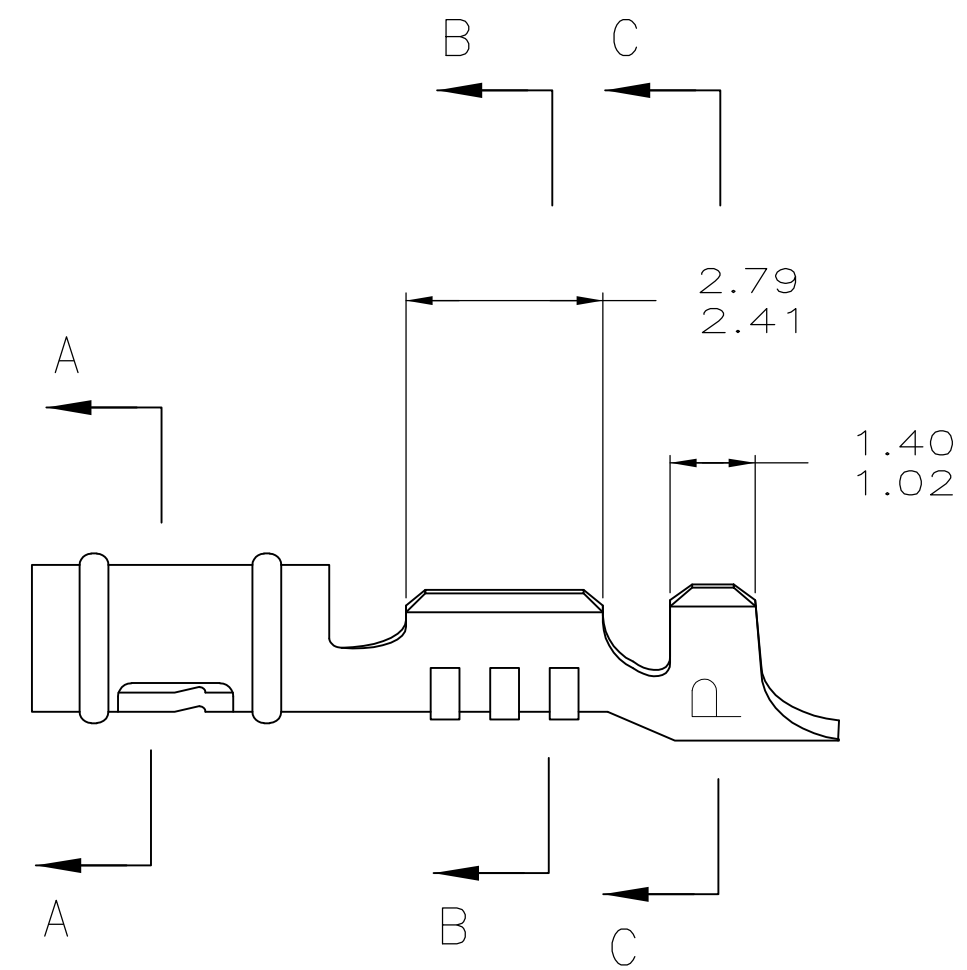
LOC		DIST		REVISIONS			
P	LTR	DESCRIPTION		DATE	DWN	APVD	
	Z1	REVISED PER ECO-11-004917		11MAR11	RK	HMR	

- △ 0.00076 MIN SELECTIVE GOLD PLATING ON INSIDE OF RECEPTACLE OVER NICKEL OVER ALL UNDERPLATE.
- 2. WIRE RANGE: 0.12 - 0.4 MM<sup>2</sup> (26 - 22 AWG)
- 3. INSULATION RANGE: 0.89 - 1.65

POINT OF MEASUREMENT  
 △ 90° FROM SEAM



SECTION A-A



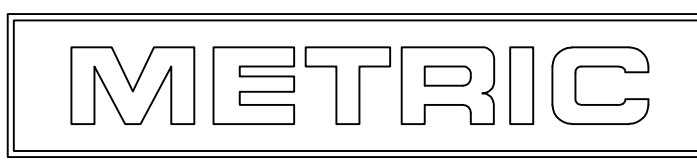
SECTION B-B

SECTION C-C

MATTE TIN	0.25 BE COPPER	60983-4
△	0.25 BE COPPER	60983-3
PRE-TIN	0.25 PH BRZ	60983-2
△	0.25 PH BRZ	60983-1
FINISH	MATERIAL	PART NUMBER

1.02	.040	1.65	.065	2.67	.105	-	-
0.89	.035	1.63	.064	2.41	.095	-	-
0.51	.020	1.486	.0585	2.29	.090	-	-
0.25	.010	1.47	.058	2.06	.081	9.65	.380
0.13	.005	1.40	.055	1.96	.077	3.94	.155
0.00076	0.00030	1.359	.0535	1.91	.075	2.79	.110
MM	IN	MM	IN	MM	IN	MM	IN

CONVERSION TABLE



THIS DRAWING IS A CONTROLLED DOCUMENT.

DIMENSIONS:	TOLERANCES UNLESS OTHERWISE SPECIFIED:	DWN	6-11-97	 TE Connectivity							
mm		T. BECK									
		CHK	6-11-97								
		R. SWING									
		APVD	6-17-97	NAME A. BEDDICK PRODUCT SPEC 108-1025 APPLICATION SPEC 114-1008							
		MATERIAL									
SEE TABLE	SEE TABLE	WEIGHT	-	SIZE	A2	CAGE CODE	00779	DRAWING NO	C=60983	RESTRICTED TO	-
		FINISH		CUSTOMER DRAWING	SCALE	10:1	SHEET	1 of 1	REV	Z1	