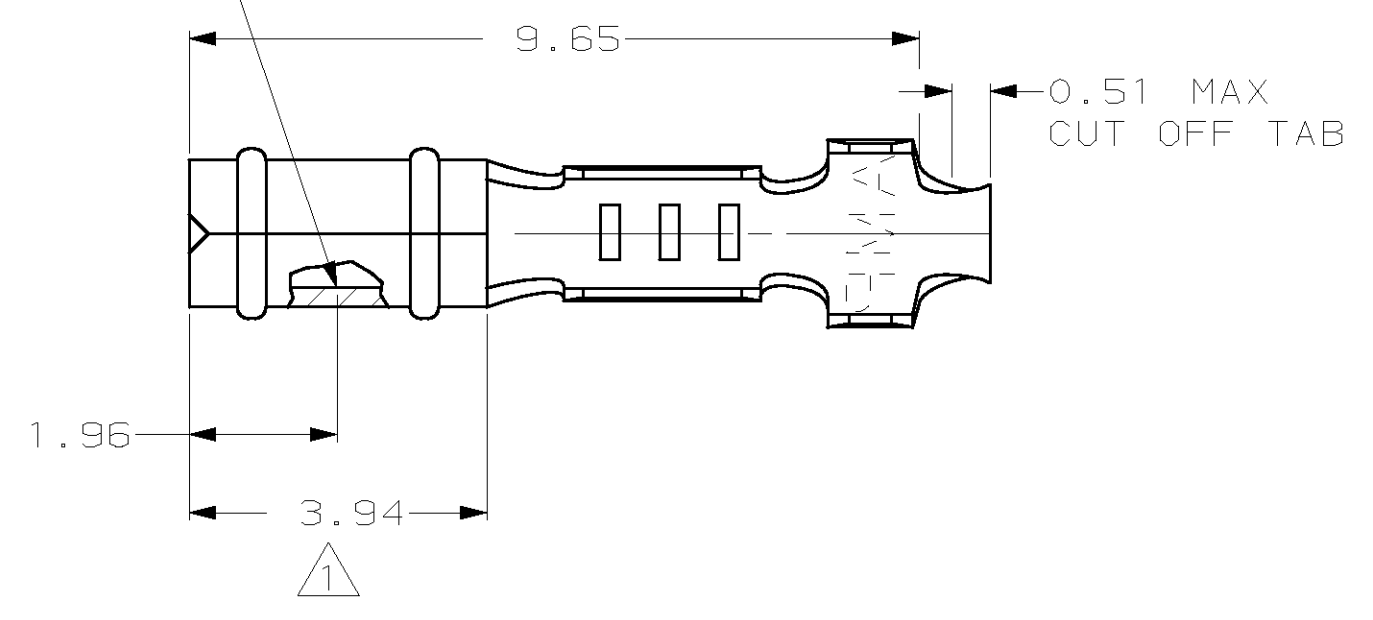


THIS DRAWING IS UNPUBLISHED. RELEASED FOR PUBLICATION  
 (C) COPYRIGHT 19 BY AMP INCORPORATED. ALL RIGHTS RESERVED.

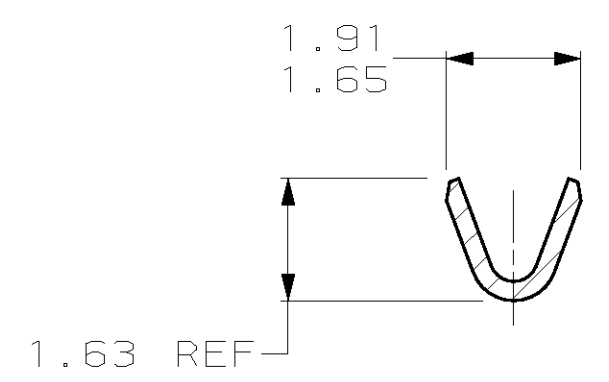
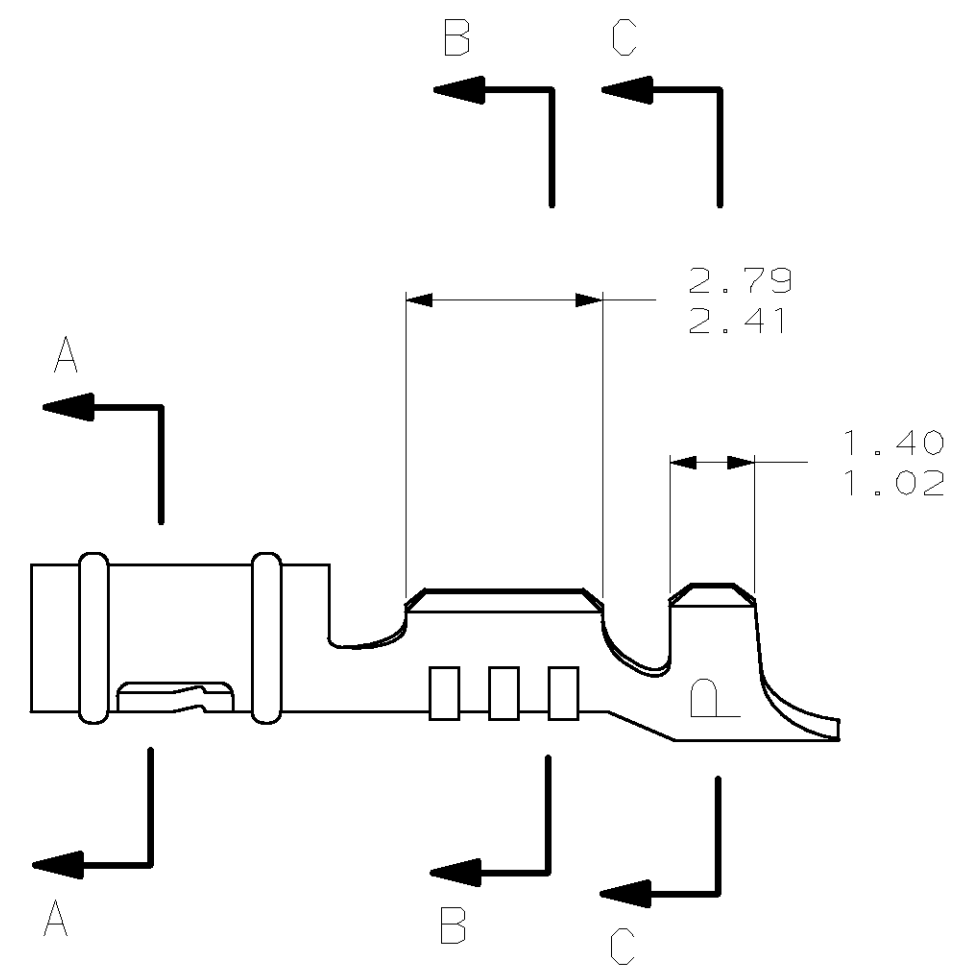
LOC	DIST	REVISIONS			
P	LTR	DESCRIPTION	DATE	DWN	APVD
CM	52	Z	REV & REDWN PER EC 0L30-0125-97	6-11-97	TB RS

- 1. 0.00076 MIN SELECTIVE GOLD PLATING ON INSIDE OF RECEPTACLE OVER NICKEL OVER ALL UNDERPLATE.
- 2. WIRE RANGE: 0.12 - 0.4 MM<sup>2</sup> (26 - 22 AWG)
- 3. INSULATION RANGE: 0.89 - 1.65

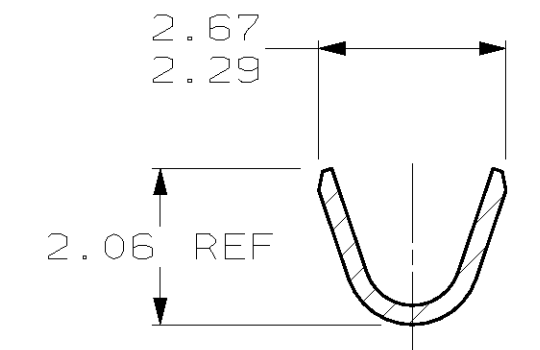
POINT OF MEASUREMENT  
 90° FROM SEAM



SECTION A-A



SECTION B-B



SECTION C-C

MATTE TIN	0.25 BE COPPER	60983-4
PRE-TIN	0.25 PH BRZ	60983-2
FINISH	MATERIAL	PART NUMBER

MM	IN	MM	IN	MM	IN	MM	IN
1.02	.040	1.65	.065	2.67	.105	-	-
0.89	.035	1.63	.064	2.41	.095	-	-
0.51	.020	1.486	.0585	2.29	.090	-	-
0.25	.010	1.47	.058	2.06	.081	9.65	.380
0.13	.005	1.40	.055	1.96	.077	3.94	.155
0.00076	.000030	1.359	.0535	1.91	.075	2.79	.110

CONVERSION TABLE



THIS DRAWING IS A CONTROLLED DOCUMENT.

DIMENSIONS: mm	TOLERANCES UNLESS OTHERWISE SPECIFIED:	DWN T. BECK 6-11-97	AMP Incorporated Harrisburg, PA 17105-3608
	0 PLC ±-	CHK R. SWING 6-11-97	
	1 PLC ±-	APVD A. BEDDICK 6-17-97	
	2 PLC ±0.13	NAME RECEPTACLE, .058 DIAMETER, 26-22 AWG, .035-.065 INSULATION, LOOSE PIECE, P.C. CONTACT	
MATERIAL SEE TABLE	FINISH SEE TABLE	PRODUCT SPEC 108-1025	SIZE CAGE CODE DRAWING NO. RESTRICTED TO
		APPLICATION SPEC 114-1008	A2 00779 C-60983
		WEIGHT -	SCALE 10:1 SHEET 1 OF 1 REV 7
		CUSTOMER DRAWING	