

Distributed by:

JAMECO[®]
ELECTRONICS

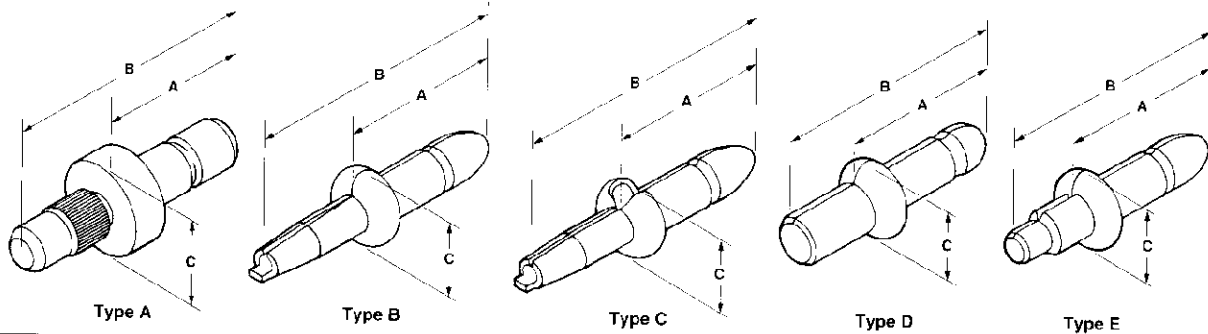
www.Jameco.com ♦ 1-800-831-4242

The content and copyrights of the attached
material are the property of its owner.

Jameco Part Number 1975467

Printed Circuit Board Disconnects

.058 [1.47] Diameter Solid Pins



Type	Hole Diameter	Pc Board Thickness	Dimensions			Material and Finish	Part Nos.	
			A	B	C		Strip Form	Loose Form
A	.062-.059 1.57-1.50	.125 3.18	.195	.385	.110	Brass, Tin Brass, .00030 [0.00076] Gold		60753-2
			4.95	9.78	2.79			60753-3
A	.062-.059 1.57-1.50	.0312 0.79	.195 4.95	.260 6.60	.110 2.79	Brass, Tin		60839-1

.058 [1.47] Diameter Formed Pins

Type	Hole Diameter	Pc Board Thickness	Dimensions			Material and Finish	Part Nos.		AMP Pin Insertion Machine
			A	B	C		Strip Form	Loose Form ¹	
B	.050-.046 1.27-1.17	.063 or .094 1.60 or 2.39	.210	.360	.095	Phos. Brz., Pre-Tin Phos. Brz., Gold ²	60802-2	60803-2	453973-2
			5.33	9.14	2.41		60802-1	60803-1	453973-2
B	.050-.046 1.27-1.17	.063 or .094 1.60 or 2.39	.210 5.33	.485 12.32	.095 2.41	Phos. Brz., Pre-Tin	350030-1	—	453973-5
B	.062-.058 1.57-1.47	.063 or .094 1.60 or 2.39	.210 5.33	.360 9.14	.095 2.41	Phos. Brz., Pre-Tin Phos. Brz., Gold ²	60809-1	60874-1	453973-2
							60809-2	60874-2	453973-2
B	.062-.058 1.57-1.47	.063 or .094 1.60 or 2.39	.210 5.33	.360 9.14	.095 2.41	Phos. Brz., Tin	60809-4	—	453973-2
B	.070-.066 1.78-1.68	.063 or .094 1.60 or 2.39	.210 5.33	.360 9.14	.095 2.41	Phos. Brz., Pre-Tin	60813-1	61018-1	453973-2
C	.050-.046 1.27-1.17	.063 or .094 1.60 or 2.39	.210 5.33	.360 9.14	.095 2.41	Phos. Brz., Gold ³ Phos. Brz., Gold ⁴	61038-1	61067-1	453973-8
							61038-5	—	453973-8
D	.073-.067 1.85-1.70	.063 1.60	.210 5.33	.310 7.87	.095 2.41	Phos. Brz., Pre-Tin	60824-1	61097-1	453973-6
E	.050-.046 1.27-1.17	.063 1.60	.210 5.33	.310 7.87	.095 2.41	Phos. Brz., Gold ²	60824-2	61097-2	453973-6
							640967-2	—	453973-7
E	.061-.055 1.55-1.40	.047 1.19	.210 5.33	.310 7.87	.095 2.41	Phos. Brz., Pre-Tin	641944-1	—	—
E	.061-.055 1.55-1.40	.063 1.60	.210 5.33	.310 7.87	.095 2.41	Phos. Brz., Pre-Tin Phos. Brz., Gold ²	60973-1	640894-1	453973-1
							60973-2	—	453973-1

¹Use Insertion Tool No. 589141-1 for Loose Form Pins

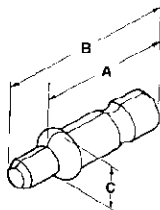
².00030 [0.00076] gold plated

³.00030 [0.00076] gold plated in disconnect area

⁴.00015 [0.00038] gold plated in disconnect area

Note: All above formed pins are made from .013 [0.25] thick material

.093 [2.36] Diameter Formed Pins



Hole Diameter	Pc Board Thickness	Dimensions			Material and Finish	Part Nos.		AMP Pin Insertion Machine
		A	B	C		Strip Form	Loose Form	
.073-.067 1.85-1.70	.063 1.60	.305 7.75	.410 10.41	.115 2.92	Phos. Brz., Pre-Tin	61137-1	350491-1	453973-3