

Distributed by:

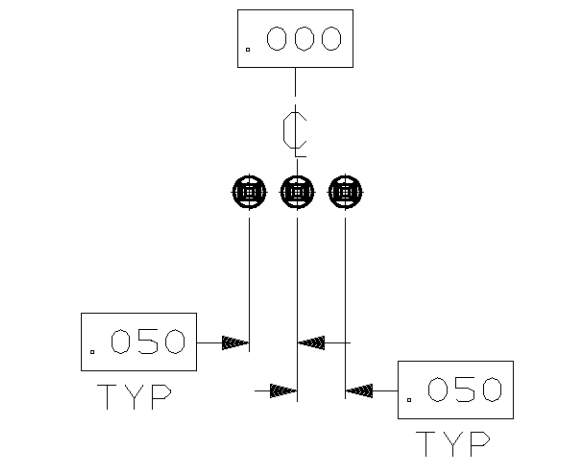
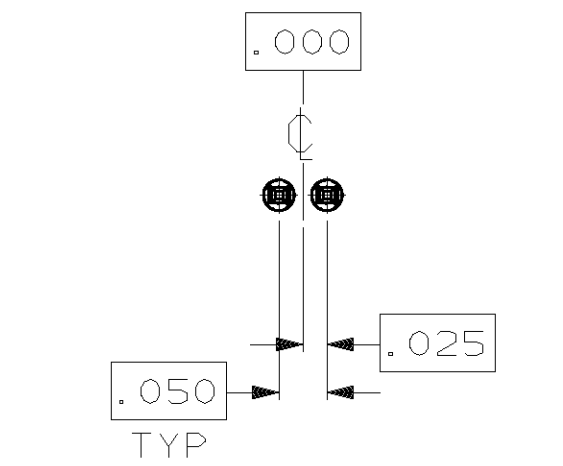
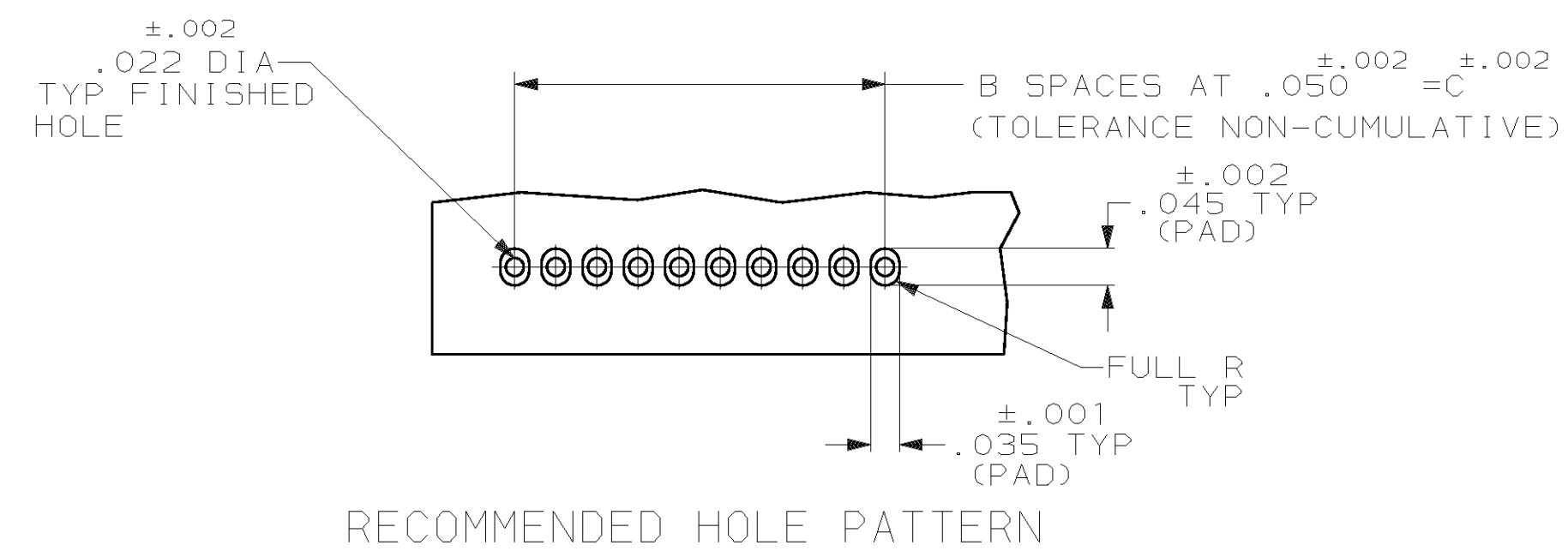
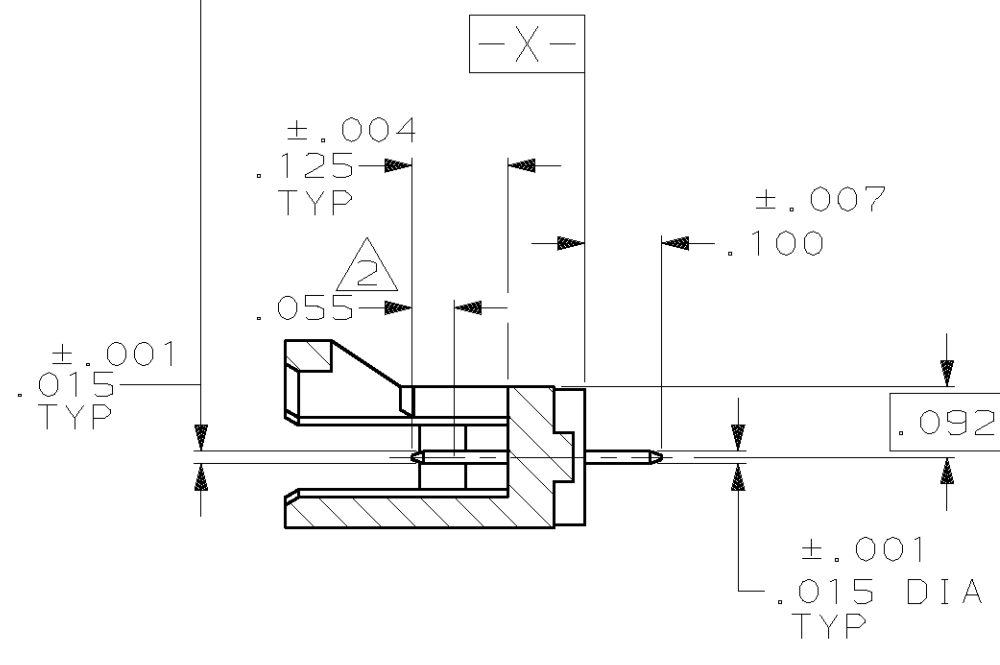
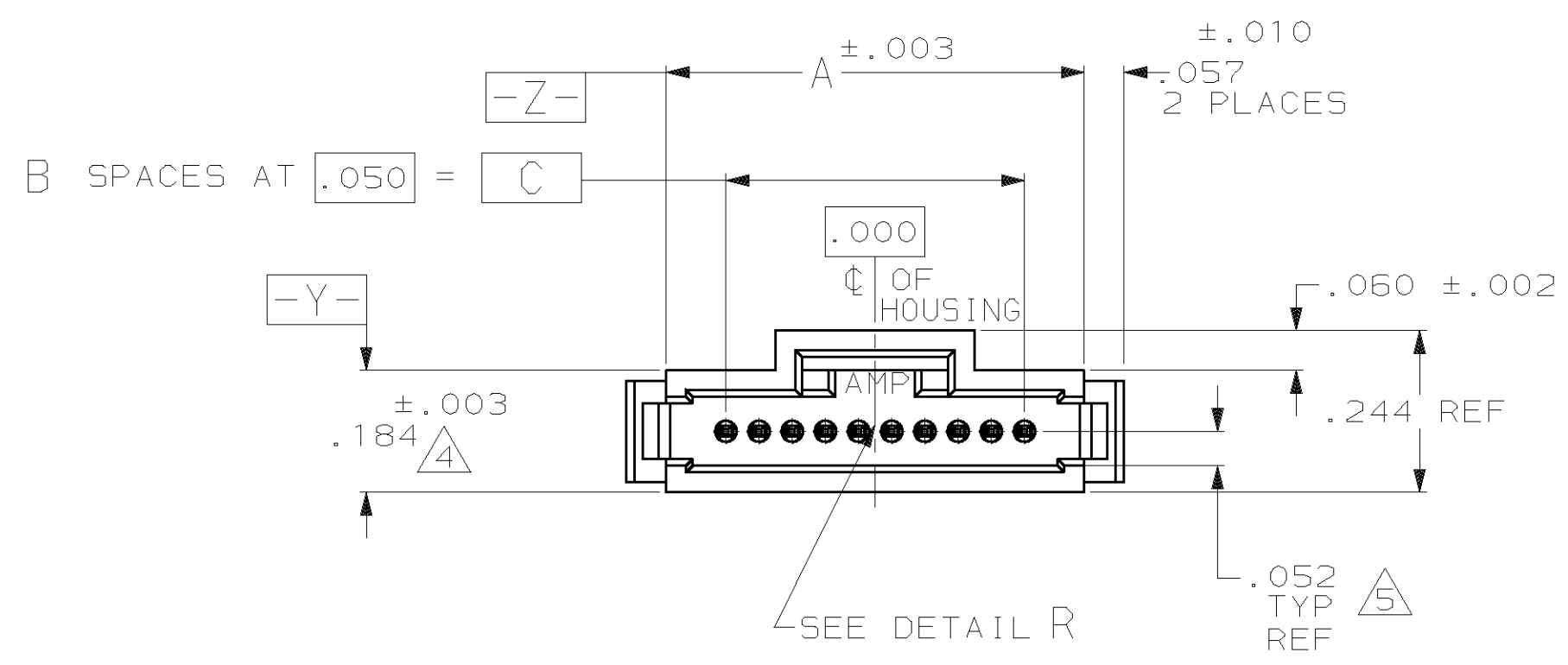
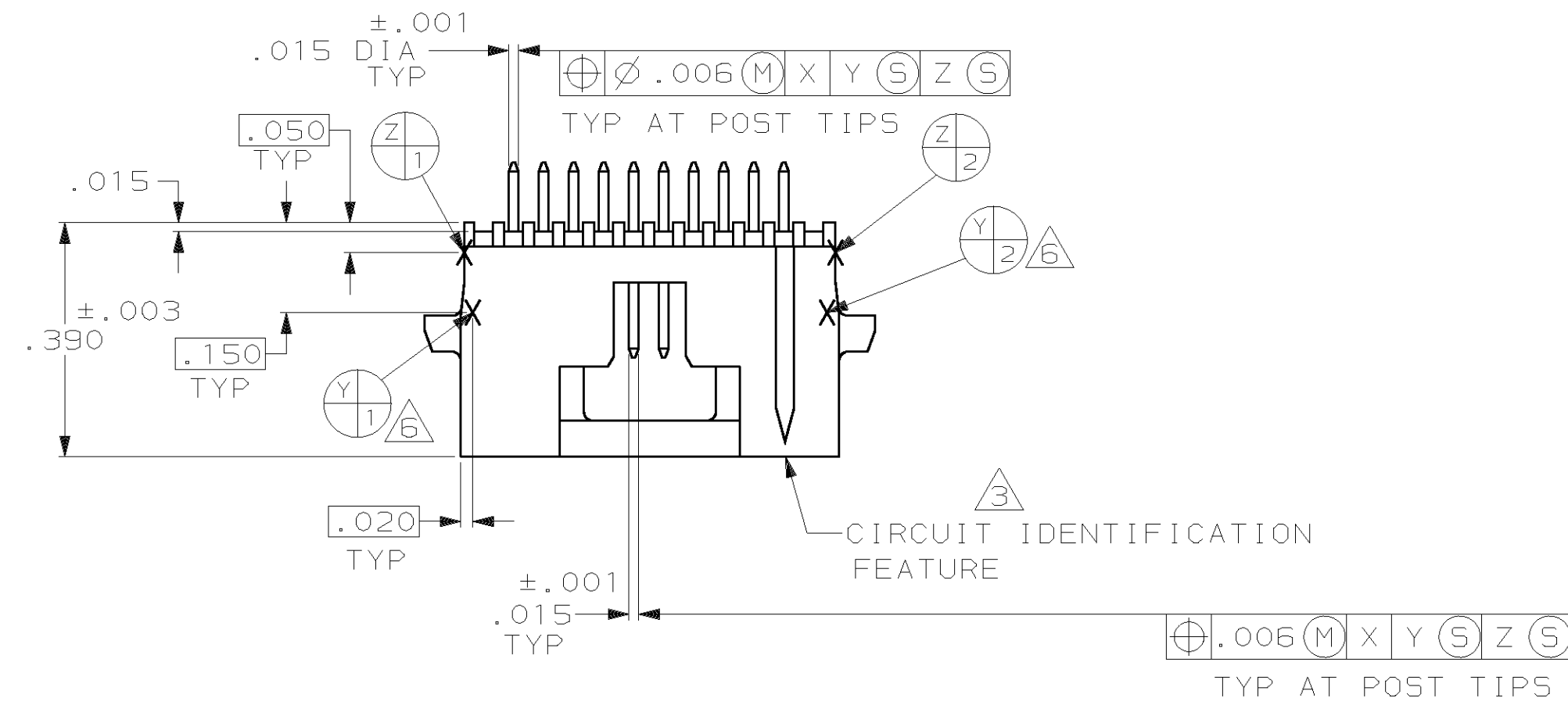
JAMECO[®]
ELECTRONICS

www.Jameco.com ♦ 1-800-831-4242

The content and copyrights of the attached
material are the property of its owner.

Jameco Part Number 755593

LOC	DIST	P	F	ZONE	LTR	DESCRIPTION	DATE	APPD
AD	39			N		REV PER 063C-0506-04	11NOV04	JR/DS



BASIC DIMENSIONS FOR ODD NO OF SPACES (SEE TABLE)

BASIC DIMENSIONS FOR EVEN NO OF SPACES (SEE TABLE)

- 1 CONTACT AREAS PLATED WITH .000030 GOLD, SOLDER TAILS PLATED WITH .000150 TIN-LEAD, ALL OVER .000050 NICKEL
- 2 POINT OF MEASUREMENT FOR GOLD THICKNESS
- 3 CIRCUIT IDENTIFICATION FEATURE OMITTED ON 4,5,6 AND 7 POSITION HEADER ASSEMBLIES
- 4 DIMENSION APPLIES AT BASE OF SHROUD
- 5 THE NOTED DIMENSIONS APPLY AT THE INTERSECTION OF THE POST & HOUSING
- 6 (Y/3) (Y/4) ARE LOCATED THE SAME AS (Y/1) (Y/2) EXCEPT ON OPPOSITE SIDE OF HOUSING.
- 7 CONTACT AREAS PLATED WITH .000030 GOLD, SOLDER TAILS PLATED WITH .000150 TIN, ALL OVER .000050 NICKEL

C	B	A	NO OF POSN	PART NUMBER
1.250	25	1.430	26	7-104071-0
2.450	49	2.630	50	6-104071-9
2.200	44	2.380	45	6-104071-8
1.950	39	2.130	40	6-104071-7
1.750	35	1.930	36	6-104071-6
1.300	26	1.480	27	6-104071-5
1.050	21	1.230	22	6-104071-4
.800	16	.980	17	6-104071-3
.600	12	.780	13	6-104071-2
.550	11	.730	12	6-104071-1
.350	7	.530	8	6-104071-0
.300	6	.480	7	5-104071-9
.250	5	.430	6	5-104071-8
.150	3	.330	4	5-104071-7
1.450	29	1.630	30	5-104071-6
1.200	24	1.380	25	5-104071-5
.950	19	1.130	20	5-104071-4
.700	14	.880	15	5-104071-3
.200	4	.380	5	5-104071-2
.450	9	.630	10	5-104071-1
1.250	25	1.430	26	2-104071-0
2.450	49	2.630	50	1-104071-9
2.200	44	2.380	45	1-104071-8
1.950	39	2.130	40	1-104071-7
1.750	35	1.930	36	1-104071-6
1.300	26	1.480	27	1-104071-5
1.050	21	1.230	22	1-104071-4
.800	16	.980	17	1-104071-3
.600	12	.780	13	1-104071-2
.550	11	.730	12	1-104071-1
.350	7	.530	8	1-104071-0
.300	6	.480	7	104071-9
.250	5	.430	6	104071-8
.150	3	.330	4	104071-7
1.450	29	1.630	30	104071-6
1.200	24	1.380	25	104071-5
.950	19	1.130	20	104071-4
.700	14	.880	15	104071-3
.200	4	.380	5	104071-2
.450	9	.630	10	104071-1

DO NOT SCALE PRINT. UNLESS SPECIFIED DIMENSIONS IN INCHES TOLERANCES ON: 2 PLC DEC ± .005 3 PLC DEC ± .005 ANGLES ± -		DR 12-19-88 K. HELM CHK 12-19-88 H. MOLL APPD 12-19-88 R. DURBIN		AMP INCORPORATED Harrisburg, Pa. 17105	
MATERIAL HOUSING: THERMOPLASTIC COLOR-BLACK CONTACT: COPPER ALLOY		APPD 12-19-88 W. PARKER PRODUCT SPEC 108-1093		NAME HEADER ASSEMBLY, VERTICAL, SINGLE ROW, W/SIDE & END LATCHES, AMPMODU® System 50	
FINISH 114-25031		APPLICATION SPEC 114-25031		SIZE D 00779	DRAWING NO 104071
WEIGHT		SCALE 4:1		SHEET 1 OF 1	