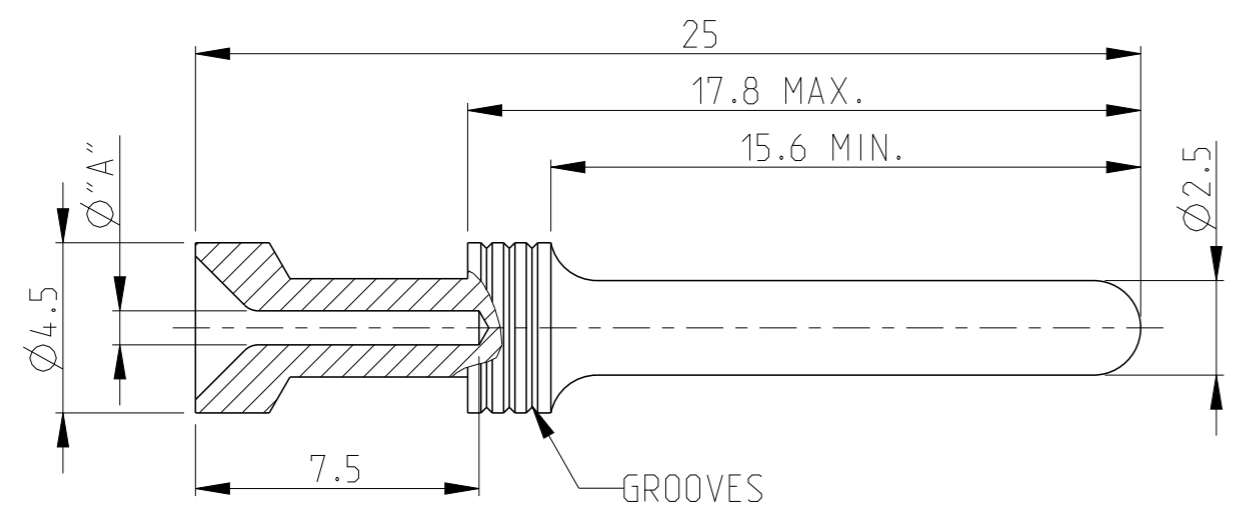


THIS DRAWING IS UNPUBLISHED. RELEASED FOR PUBLICATION 2006  
 © COPYRIGHT 2006 ALL RIGHTS RESERVED.

| LOC | DIST | REVISIONS |     |               |           |     |      |
|-----|------|-----------|-----|---------------|-----------|-----|------|
| A1  | -    | P         | LTR | DESCRIPTION   | DATE      | DWN | APVD |
|     |      |           | J4  | ECO-11-005294 | 27APR11   | RK  | HMR  |
|     |      |           | J5  | ECR-15-003938 | 26MAR2015 | RK  | MKO  |



Notes

- 1 MATERIAL: BRASS
- 2 FINISH SILVER PLATING: 2 μm Ag MIN. OVER Cu
- 3 FINISH GOLD PLATING: 0.75 μm Au MIN. OVER Ni
- 4 FINISH TIN PLATING: 0.6 μm Sn MIN. OVER Cu
- 5 VENTILATION HOLE PRESENT ON ALL PARTS
- 6 WEIGHT: 1.35 g, PER PIECE (APPROX.)
- 7 PACKAGING: 50 PIECES IN POLYBAG
- 8 PACKAGING: 500 PIECES IN POLYBAG & CARTON
- 9 PACKAGING: 5000 PIECES IN POLYBAG & CARTON
- 10 PACKAGING: 20000 PIECES IN POLYBAGS & CARTONS
- 11 SUITABLE SOCKET CONTACT: CUSTOMER DRAWING 1105101
- 12 SUITABLE INSERTS: SERIES HA, HE, HVE, HVS, CUSTOMER DRAWING
- 13 SUITABLE CRIMP TOOL: PN 1-1105851-8
- 14 SUITABLE INSERTION TOOL: PN 0-1102855-6
- 15 SUITABLE EXTRACTION TOOL: PN 0-1102855-7
- 16 STANDARDS: DIN EN 61984, DIN EN 60664-1

17 OBSOLETE

| HE/HA-C-Sti.Sn                          | CROSS SECTION | TIN           | 4.0                | 2.8      | -              | -       | 5-0      | -         | 5-3        |
|---|---------------|---------------|--------------------|----------|----------------|---------|----------|-----------|------------|
| HE/HA-C-Sti.Sn 2,5mm <sup>2</sup>       |               |               | 2.5                | 2.2      | 3              | -       | 4-0      | -         | 4-3        |
| HE/HA-C-Sti.Sn 1,5mm <sup>2</sup>       |               |               | 1.5                | 1.7      | 2              | -       | 3-0      | -         | 3-3        |
| HE/HA-C-Sti.Au 4,0mm <sup>2</sup>       |               |               | 4.0                | 2.8      | -              | 5-2     | 5-9      | -         | -          |
| HE/HA-C-Sti.Au 2,5mm <sup>2</sup>       |               |               | 2.5                | 2.2      | 3              | 4-2     | 4-9      | -         | -          |
| HE/HA-C-Sti.Au 1,5mm <sup>2</sup>       |               |               | 1.5                | 1.7      | 2              | 3-2     | 3-9      | -         | -          |
| HE/HA-C-Sti.Au 0,75-1,0mm <sup>2</sup>  |               |               | 0.75-1.0           | 1.4      | 1              | 2-2     | 2-9      | -         | -          |
| HE/HA-C-Sti.Au 0,5mm <sup>2</sup>       |               |               | 0.5                | 1.1      | -              | 1-2     | 1-9      | -         | -          |
| HE/HA-C-Sti.Au 0,14-0,37mm <sup>2</sup> |               |               | 0.14-0.37          | 0.9      | 3              | 6-2     | 6-9      | -         | -          |
| HE/HA-C-Sti.Ag 4,0mm <sup>2</sup>       |               |               | 4.0                | 2.8      | -              | 5-1     | 5-8      | -         | -          |
| HE/HA-C-Sti.Ag 2,5mm <sup>2</sup>       |               |               | 2.5                | 2.2      | 3              | 4-1     | 4-8      | 7-1       | -          |
| HE/HA-C-Sti.Ag 1,5mm <sup>2</sup>       |               |               | 1.5                | 1.7      | 2              | 3-1     | 3-8      | -         | -          |
| HE/HA-C-Sti.Ag 0,75-1,0mm <sup>2</sup>  |               |               | 0.75-1.0           | 1.4      | 1              | 2-1     | 2-8      | -         | -          |
| HE/HA-C-Sti.Ag 0,5mm <sup>2</sup>       |               |               | 0.5                | 1.1      | -              | 1-1     | 1-8      | -         | -          |
| HE/HA-C-Sti.Ag 0,14-0,37mm <sup>2</sup> |               |               | 0.14-0.37          | 0.9      | 3              | 6-1     | 6-8      | -         | -          |
|   |               |               | [MM <sup>2</sup> ] | "A"      | NO.OF GROOVES  | P.U.=50 | P.U.=500 | P.U.=5000 | P.U.=20000 |
| ORDERING TEXT                           | PLATING       | CROSS SECTION | DIMS               | MARKINGS | PACKAGING UNIT |         |          |           |            |

PARTS LIST

|  |  |                             |                                |                 |                      |                 |
|--|--|-----------------------------|--------------------------------|-----------------|----------------------|-----------------|
| THIS DRAWING IS A CONTROLLED DOCUMENT.                                   |  | DWN H.BRAUN 21Apr2010       | TE Connectivity                |                 |                      |                 |
| DIMENSIONS: mm   |  | CHK -                       |                                |                 |                      |                 |
| TOLERANCES UNLESS OTHERWISE SPECIFIED:                                   |  | APVD T.SCHNURPFEL 29AUG2007 | NAME                           |                 |                      |                 |
| 0 PLC ±-<br>1 PLC ±-<br>2 PLC ±-<br>3 PLC ±-<br>4 PLC ±-<br>ANGLES ±0.5° |  | PRODUCT SPEC 108-74004      | PIN CONTACT SERIES HA, HE, HVE |                 |                      |                 |
| MATERIAL 1   |  | APPLICATION SPEC 114-74003  | SIZE A3                        | CAGE CODE 00779 | DRAWING NO C=1105100 | RESTRICTED TO - |
| FINISH 2 3 4   |  | WEIGHT -                    | SCALE 5:1                      |                 | SHEET 1 OF 1         | REV J5          |