

Distributed by:

**JAMECO**<sup>®</sup>  
ELECTRONICS

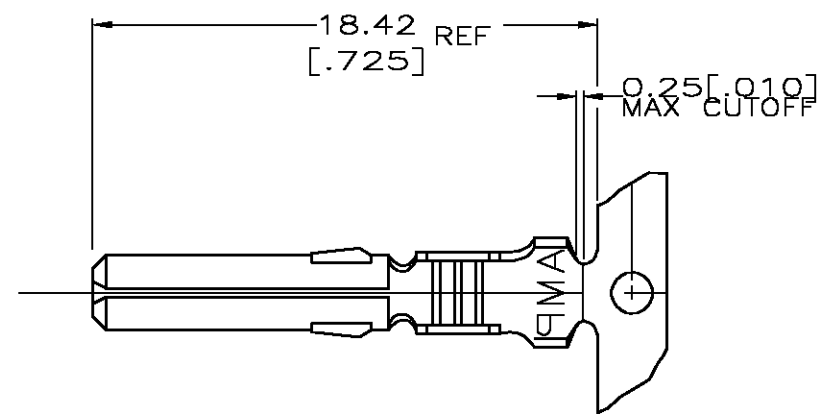
**www.Jameco.com ♦ 1-800-831-4242**

The content and copyrights of the attached  
material are the property of its owner.

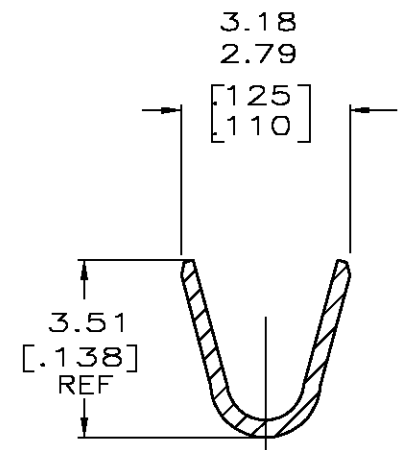
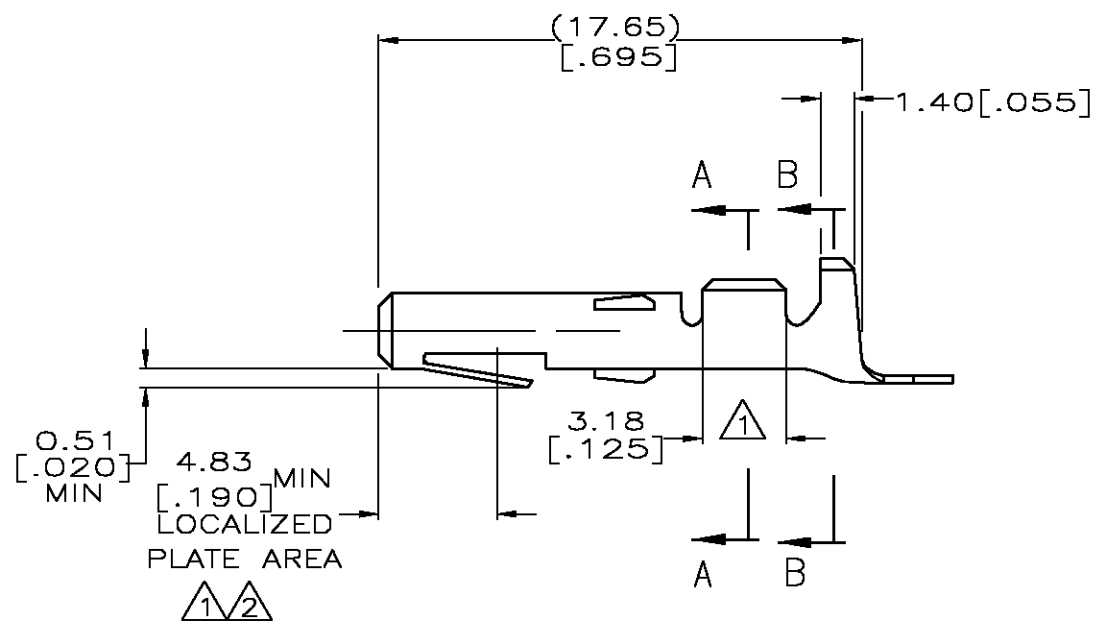
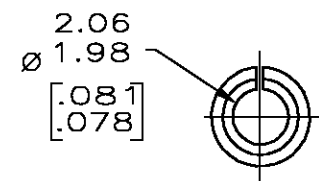
Jameco Part Number 853644

THIS DRAWING IS UNPUBLISHED. RELEASED FOR PUBLICATION  
 © COPYRIGHT BY TYCO ELECTRONICS CORPORATION. ALL RIGHTS RESERVED.

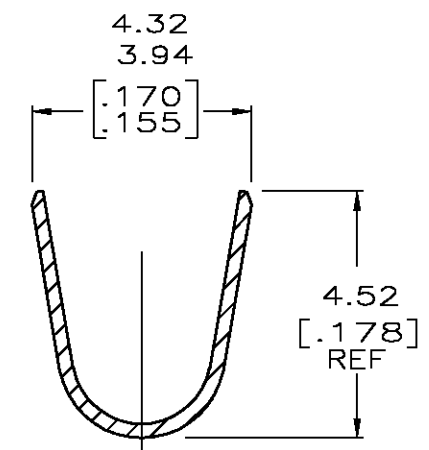
LOC	DIST	REVISIONS			
P	LTR	DESCRIPTION	DATE	DWN	APVD
CM	00	AC	REVISE PER 0G3B-0219-05	01MAR05	KW DC



- ① 0.00076[.000030] THK GOLD IN LOCALIZED PLATING AREA AND IN WIRE BARREL; REMAINDER OF CONTACT IS NICKEL PLATED.
- ② 0.00076[.000030] THK GOLD IN LOCALIZED PLATING AREA; REMAINDER OF CONTACT IS NICKEL PLATED.
- 3. DIMENSIONS IN BRACKETS ARE IN INCHES.



SECTION A-A  
SCALE 10:1



SECTION B-B  
SCALE 10:1

APPLICATOR TYPE	FINISH	MATERIAL	PART NO
-	MINI	GOLD ② 0.30 [.012] BRASS	61117-7
60619-7	MINI	GOLD ① 0.30 [.012] PH BZ	61117-6
60619-5	MINI	GOLD ① 0.30 [.012] BRASS	61117-5
-	MINI	TIN 0.30 [.012] PH BZ	61117-4
-	MINI	- 0.30 [.012] BRASS	61117-2
60619-1	MINI	TIN 0.30 [.012] BRASS	61117-1

THIS DRAWING IS A CONTROLLED DOCUMENT.

DWN K. WHITAKER 01MAR2005	 Tyco Electronics Corporation Greensboro, NC 27409
CHK D. COLEY 01MAR2005	
APVD D. COLEY 01MAR2005	
NAME	
PRODUCT SPEC	SOCKET, COMMERCIAL MATE-N-LOK™
APPLICATION SPEC	
WEIGHT	SIZE CAGE CODE DRAWING NO RESTRICTED TO
	A3 00779 C-61117
CUSTOMER DRAWING	SCALE 5:1 SHEET 1 OF 1 REV AC