

Distributed by:

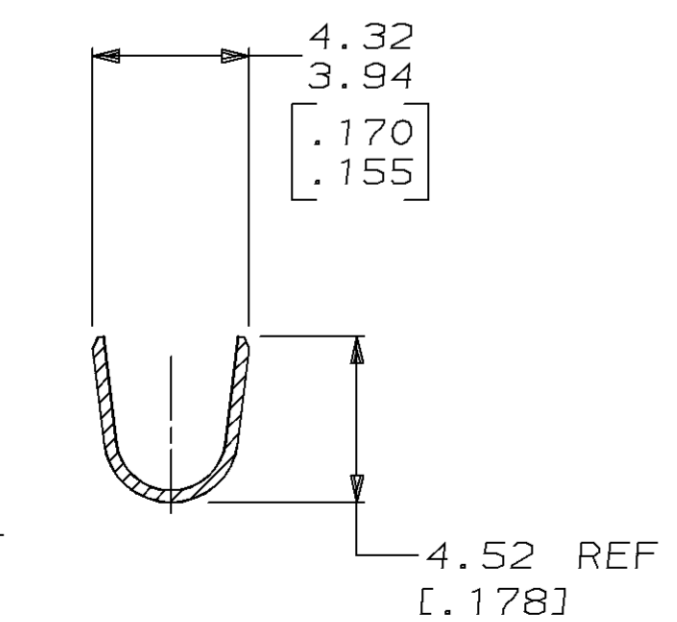
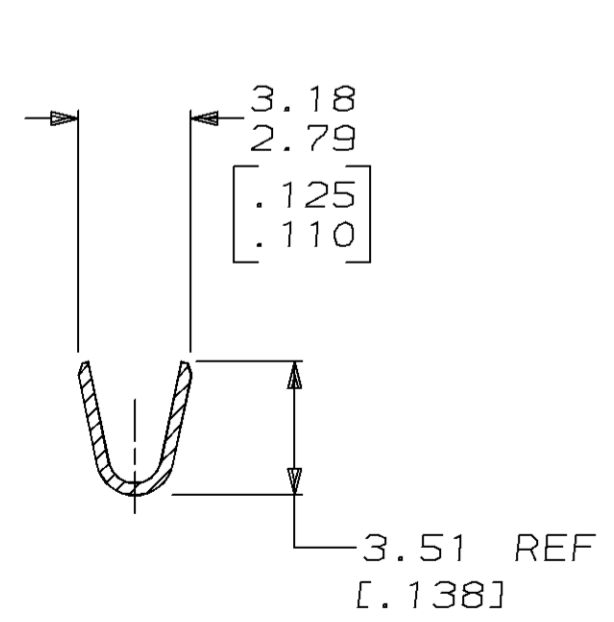
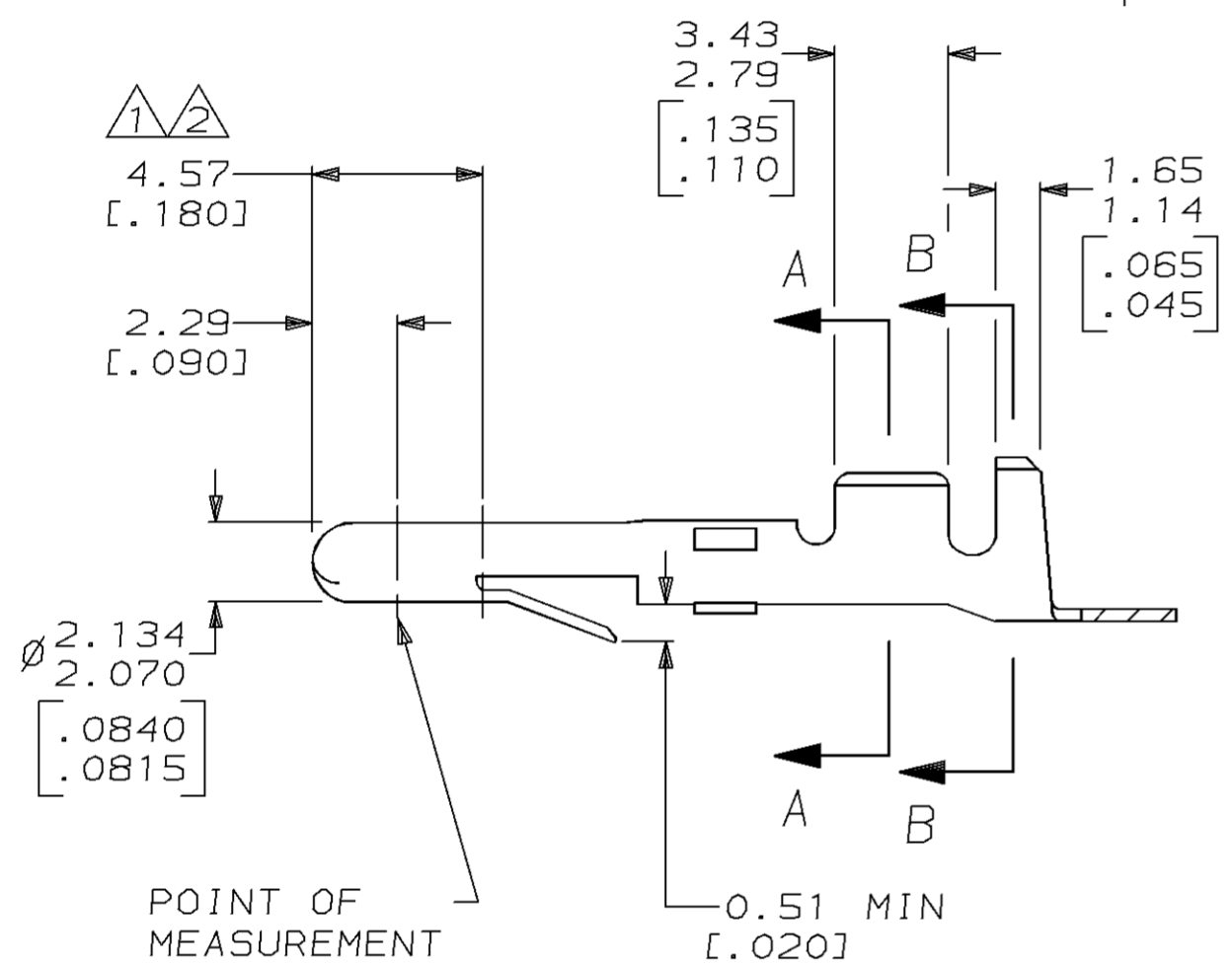
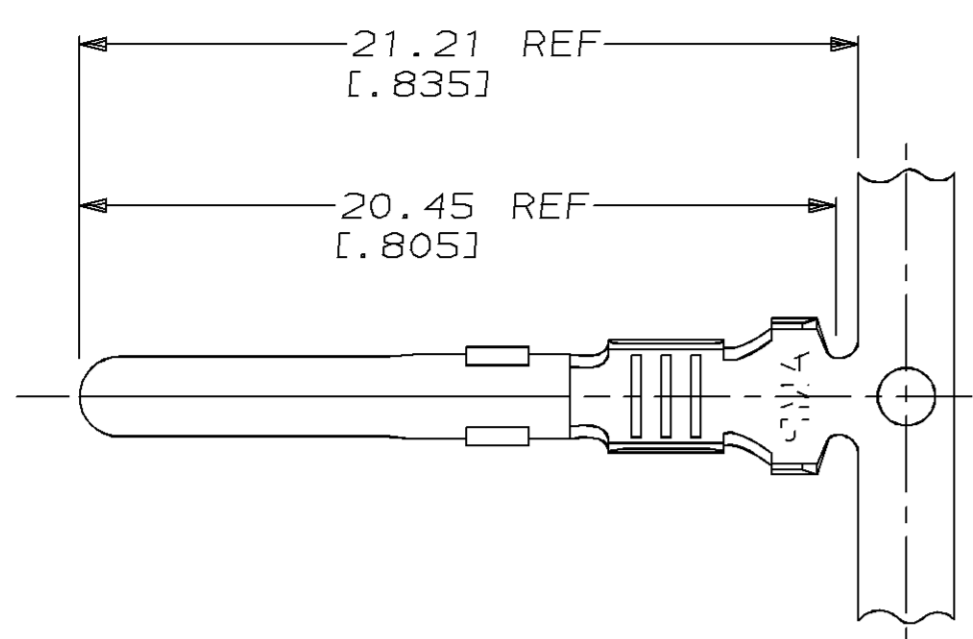
JAMECO[®]
ELECTRONICS

www.Jameco.com ♦ 1-800-831-4242

The content and copyrights of the attached
material are the property of its owner.

Jameco Part Number 963211

| LOC | DIST | P | F | ZONE | LTR | DESCRIPTION | DATE | APPD |
|-----|------|---|---|------|-----|-------------------------|---------|----------|
| CM | 53 | | | | | REV PER EC 0730-0142-94 | 8-15-94 | RV RS |



- ① PLATE OVERALL WITH 0.00127 [.000050] MIN NICKEL, THEN TIP PLATE WITH 0.00076 [.000030] MIN GOLD IN THE MATING AREA.
- ② PLATE OVERALL WITH 0.00127 [.000050] MIN NICKEL, THEN PLATE IN THE MATING AREA AND STRIPE THE INSIDE OF THE WIRE BARREL WITH 0.00076 [.000030] MIN GOLD.
- 3. WIRE RANGE: 0.5 - 2 mm² [20 - 14 AWG].
- 4. INSULATION RANGE: 3.30 [.130] MAX DIA.
- 5. APPLICATION TYPE: MINI.
- 6. DIMENSIONS IN BRACKETS ARE IN INCHES.

| FINISH | MATERIAL | PART NO |
|---------|--------------------|---------|
| ① | 0.33 [.012] BRASS | 61118-7 |
| ② | 0.33 [.012] PH BRZ | 61118-6 |
| ③ | 0.33 [.012] BRASS | 61118-5 |
| PRE-TIN | 0.33 [.012] PH BRZ | 61118-4 |
| - | 0.33 [.012] BRASS | 61118-2 |
| PRE-TIN | 0.33 [.012] BRASS | 61118-1 |

| | | | | |
|--|--------------------------|---|-----------|--------------|
| DO NOT SCALE PRINT. UNLESS SPECIFIED DIMENSIONS IN mm [INCHES] TOLERANCES ON : 2 PLC DEC ± - 3 PLC DEC ± 0.13 [.005] ANGLES ± - | DR 11-20-92 T. BECK | AMP Incorporated Harrisburg, PA 17105-3608 | | |
| | CHK 11-20-92 R. SWING | | | NAME |
| SEE TABLE | APPD 12-9-92 D. SELF | PIN, MATE-N-LOK™ | | |
| SEE TABLE | APPD 12-9-92 D. SELF | | | |
| FINISH | APPLICATION SPEC | SIZE | CAGE CODE | DRAWING NO |
| SEE TABLE | - | C | 00779 | C=61118 |
| | WEIGHT - | SCALE | 5:1 | SHEET 1 OF 1 |

METRIC

THIS DRAWING IS A CONTROLLED DOCUMENT FOR AMP INCORPORATED. IT IS SUBJECT TO CHANGE AND THE CONTROLLING ENGINEERING ORGANIZATION SHOULD BE CONTACTED FOR THE LATEST REVISION.