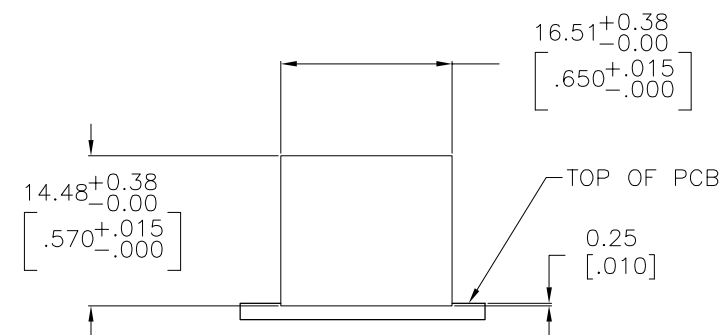
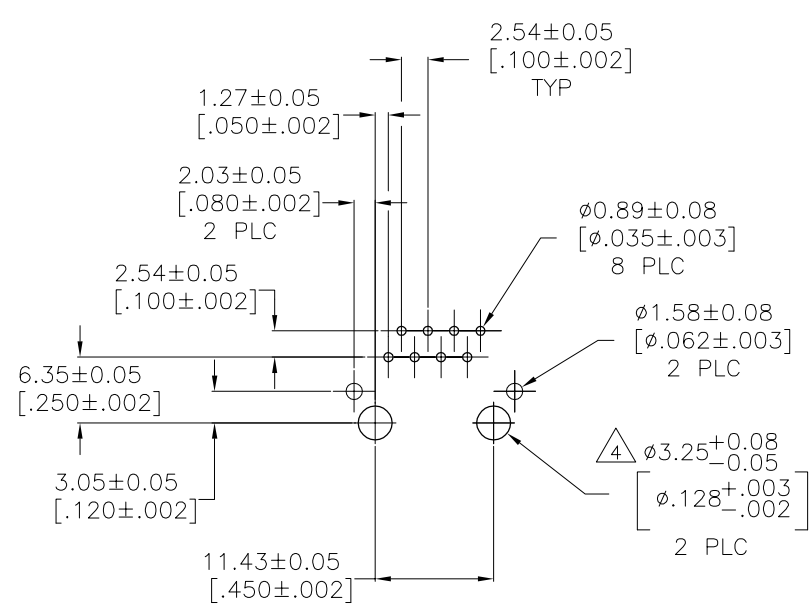
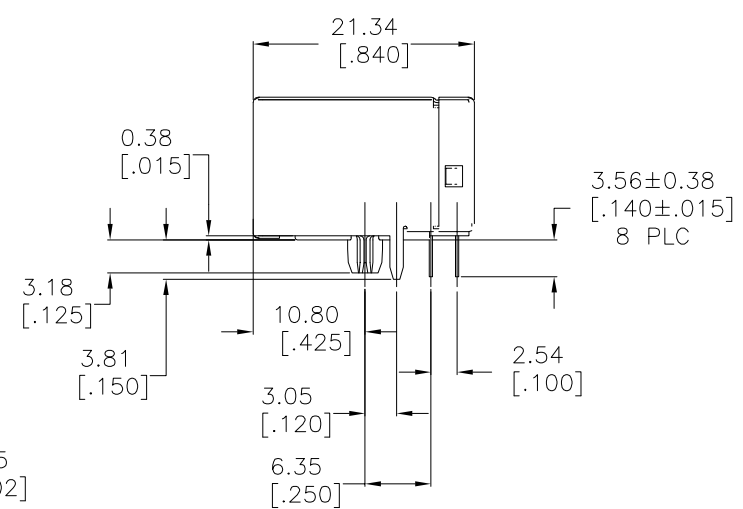
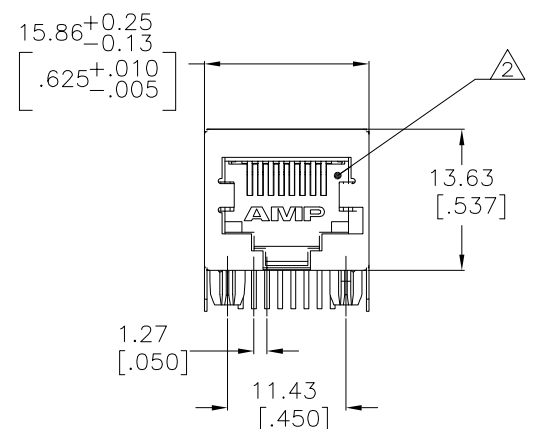


LOC	DATE	REVISIONS
AA	00	
B2	REV PER ECR-09-004284	16APR2009 TY SY



RECOMMENDED PC BOARD LAYOUT  
 COMPONENT SIDE

RECOMMENDED PANEL CUTOUT

- MATERIAL: HOUSING - NYLON, COLOR: BLACK, UL 94V-0. OVERMOLDED TERMINAL ARRAY - PBT, BROWN. TERMINALS - 0.33[.013] THICK PHOS BRONZE PLATED WITH 1.27um[.000050] MINIMUM HARD GOLD IN LOCALIZED AREA AND 3.81um[.000150] MINIMUM TIN IN SOLDER AREA OVER 1.27um[.000050] MINIMUM NICKEL UNDERPLATE. SHIELD - 0.254[.010] THICK COPPER ALLOY PLATED WITH 1.27um[.000050] MINIMUM NICKEL AND 2.03um[.000080] MINIMUM HOT TIN DIP ON PCB GROUND TABS.
- JACK CAVITY CONFORMS TO FCC RULES AND REGULATIONS, PART 68 SUBPART F.
- ALL DIMENSIONS SHOWN ARE NOMINAL UNLESS OTHERWISE SPECIFIED.
- USE #30 DRILL BIT OR 3.25mm DRILL BIT WHEN PRODUCING THESE PCB HOLES.
- DIELECTRIC WITHSTANDING VOLTAGE BETWEEN SHIELD AND TERMINAL IS 1500 VAC

6116526-1  
 PART NUMBER

THIS DRAWING IS A CONTROLLED DOCUMENT.		DATE: 13JAN2009	BY: L. VARELA - CHECKED: C. WESTMAN	DATE: 13JAN2009	BY: S. FLICKINGER	DATE: 13JAN2009	NAME: Tyco Electronics Corporation Harrisburg, PA 17105-3608
DIMENSIONS:	mm (INCHES)	0 PLC ± -	1 PLC ± -	2 PLC ± 0.25(.01)	3 PLC ± 0.13(.005)	4 PLC ± -	APPROVAL SPEC: 108-1163-2
MATERIAL:	SEE NOTE 1	FINISH:	SEE NOTE 1	WEIGHT:	114-2048	SCALE:	4:1
CUSTOMER DRAWING		SIZE:	A1	CODE:	00779	DRAWING NO:	6116526
SHEET 1		OF 1		REV B2		RESTRICTED TO	