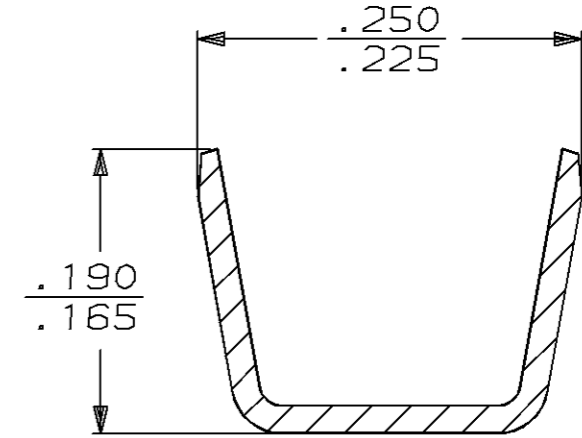
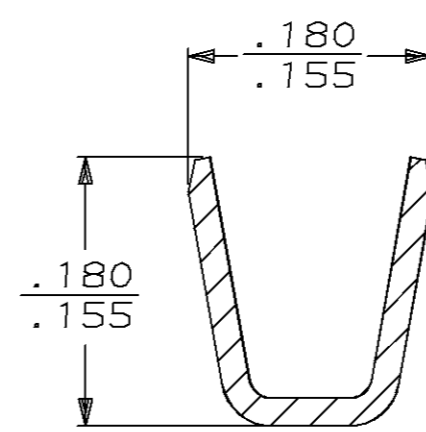
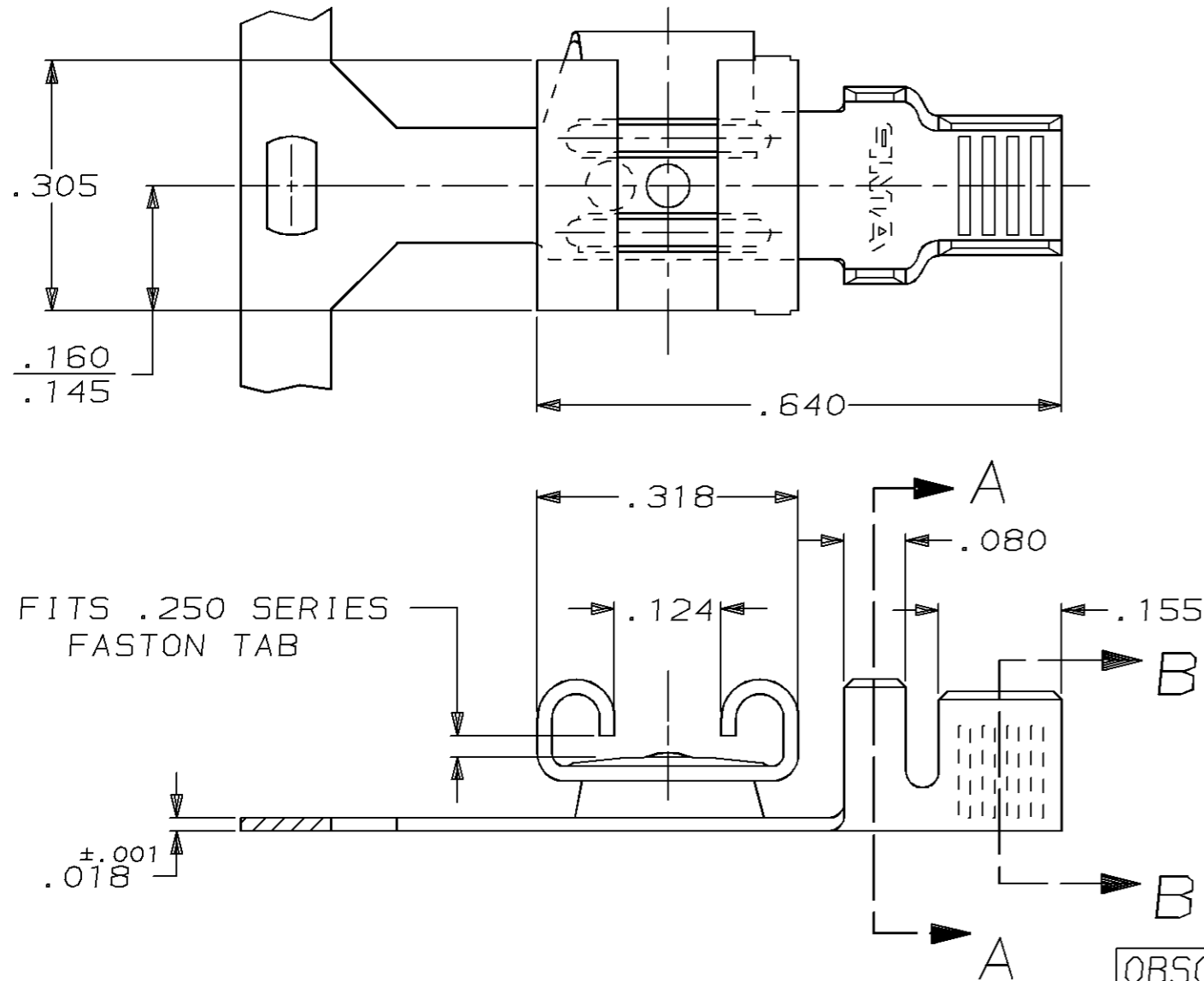


THIS DRAWING IS UNPUBLISHED. RELEASED FOR PUBLICATION, 19
 © COPYRIGHT 19 BY AMP INCORPORATED. ALL INTERNATIONAL RIGHTS RESERVED.

LOC	DIST	P	F	REVISIONS				
				ZONE	LTR	DESCRIPTION	DATE	APPD
AF	50				N	NO CHG PER 0710-0498-95	11/14/95	JR/PD

1 CONTINUOUS STRIP ON REELS.



SECTION B-B
SCALE 8:1

SECTION A-A
SCALE 8:1

FITS .250 SERIES
FASTON TAB

OBSOLETE
OBSOLETE

INSUL RANGE	WIRE SIZE	TIN .000080 MIN	T4 BRASS	MATING TAB THK ±.001	PART NO
		SILVER .000150 MIN	T3 PHOS BRZ		
		TIN .000080 MIN	T3 PHOS BRZ		
DO NOT SCALE PRINT. UNLESS SPECIFIED DIMENSIONS ARE IN INCHES. TOLERANCES ON: 2 PLC DEC ± - 3 PLC DEC ± .010 ANGLES ± -		DR 3/22/90 JR RUTH	AMP INCORPORATED Harrisburg, Pa. 17105		
MATERIAL SEE TABLE		CHK 3/22/90 MS FEHER			
FINISH SEE TABLE		APPD 3/22/90 C MEYERS	NAME RECEPTACLE, FASTON™ FLAG, REVERSIBLE, .250 SERIES		
		APPD 3/22/90 R KUZO	SIZE B	CAGE CODE 00779	DRAWING NO 61188
		PRODUCT SPEC -	SCALE 5:1	SHEET 1 OF 1	
		APPLICATION SPEC 114-2032			
		WEIGHT -			