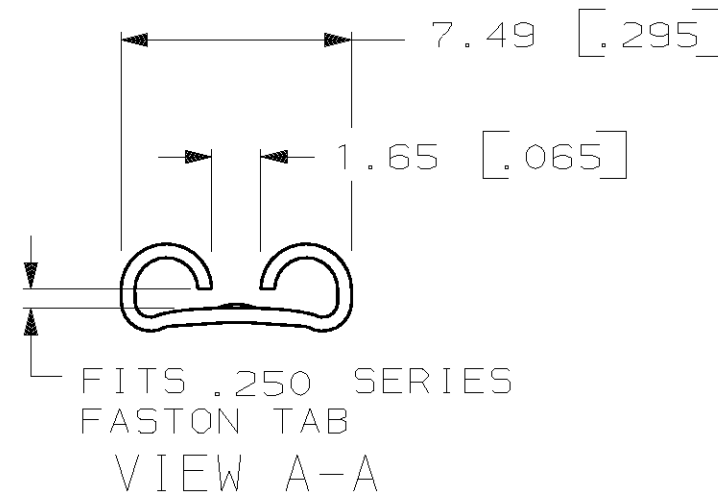
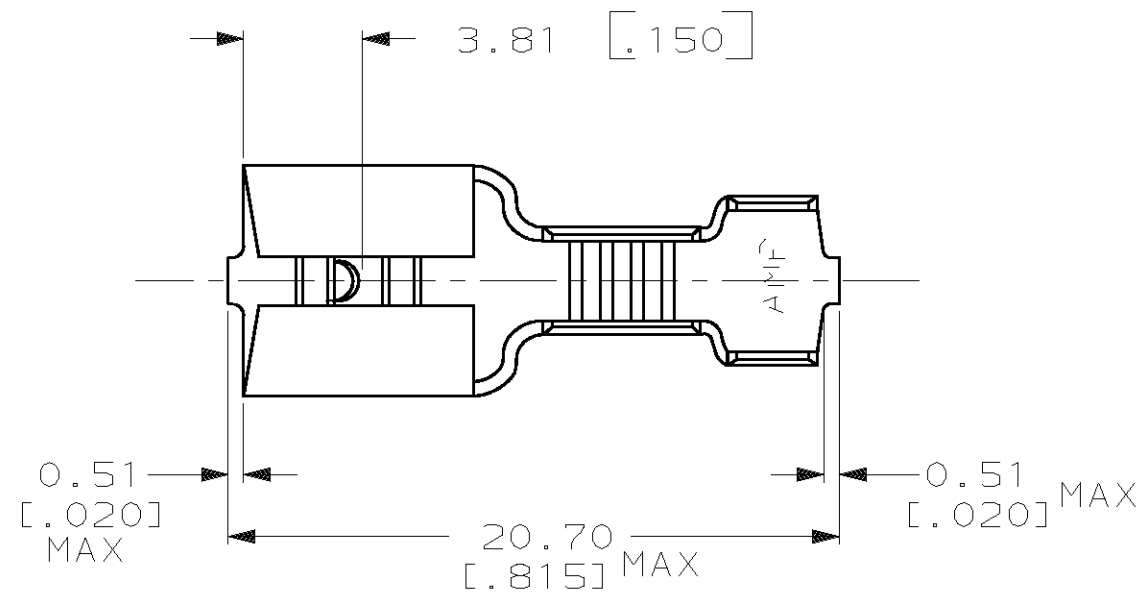
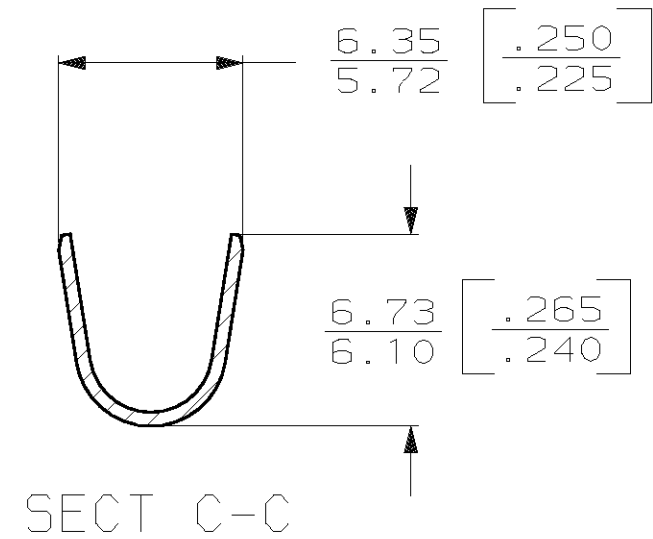
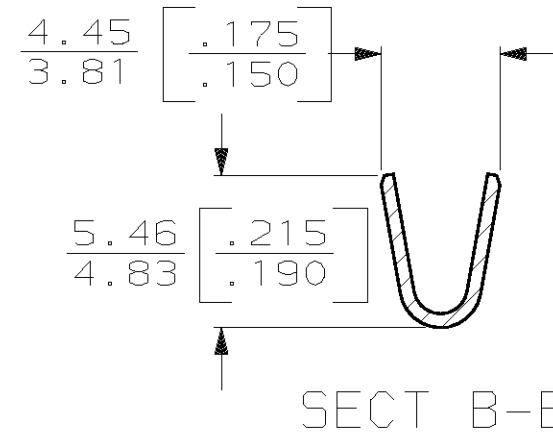
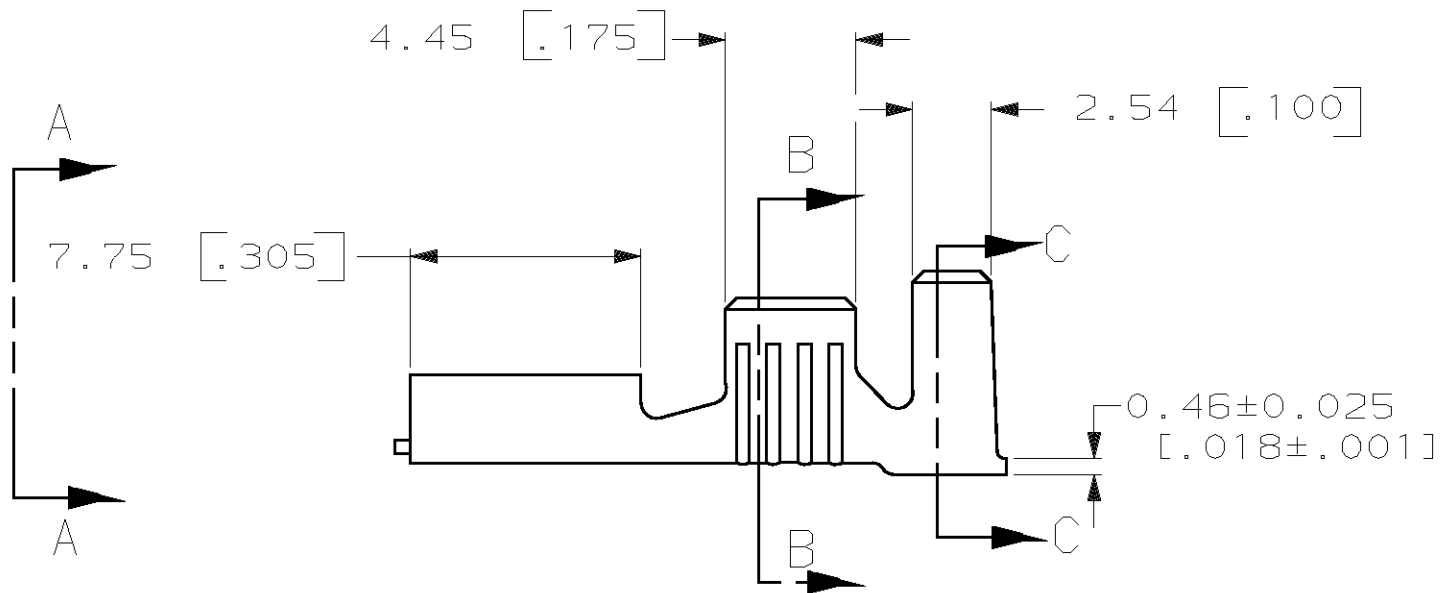


THIS DRAWING IS UNPUBLISHED. RELEASED FOR PUBLICATION, 19 .
 © COPYRIGHT 19 BY AMP INCORPORATED. ALL INTERNATIONAL RIGHTS RESERVED.

LOC	DIST	P	F	REVISIONS			
ZONE	LTR	DESCRIPTION	DATE	APPD			
AF	50			A	REV PER 0G3A-0240-02	29APR02	JR/PD



- 1 SUPPLIED IN LOOSE PIECE
- 2 WIRE SIZE IS 2.0-5.0mm² [14-10] AWG.
- 3 INSULATION RANGE IS 3.81-5.08 [.150-.200] DIA.
- △ 4 PRELIMINARY - NOT FOR PRODUCTION



41450-2	0.002032 [.000080] MIN TIN	T4 PHOS BRONZE	0.813 [.032]	△ 61227-2
41450	0.002032 [.000080] MIN TIN	4M BRASS	0.813 [.032]	61227-1
STRIP FORM	FINISH	MATERIAL	MATING TAB THK ±0.025 ±[.001]	PART NO

DO NOT SCALE PRINT. UNLESS SPECIFIED DIMENSIONS IN mm [INCHES] TOLERANCES ON: 2 PLC DEC ± - 3 PLC DEC ± 0.25 [.010] ANGLES ± -	DR 3/2/93 JR RUTH	AMP INCORPORATED Harrisburg, Pa. 17105
	CHK 3/2/93 MS FEHER	
MATERIAL SEE TABLE	APPD 3/2/93 C MEYERS	NAME RECEPTACLE, FASTON, .250 SERIES
	APPD 3/2/93 R/REINER	SIZE B CAGE CODE 00779 DRAWING NO 61227
FINISH SEE TABLE	PRODUCT SPEC -	SCALE 4:1 SHEET 1 OF 1
	APPLICATION SPEC -	
	WEIGHT -	