

61314-4 Product Details

[Share](#) [Print](#) [Email](#)



61314-4

TE Internal Number: 61314-4

Active

[View 3D PDF](#)

.200" Centerline, 250 V, 13 A max.

Always EU RoHS/ELV Compliant (Statement of Compliance)

Product Highlights:

- Commercial MATE-N-LOK Product Line
- Wire-to-Wire
- Applies To Wire/Cable
- Contact
- Contact Type = Socket

[View all Features](#)

Quick Links

- ▶ [Pricing & Availability](#)
- ▶ [Search for Tooling](#)
- ▶ [View Housings \(69\)](#)
- ▶ [Product Feature Selector](#)
- ▶ [Contact Us About This Product](#)

[Add to My Part List](#)

[Request Sample](#)

[Find Similar Products](#)

[Buy Product](#)

Documentation & Additional Information

Product Drawings:

- [SOCKET COMMERCIAL MATE-N-LOK](#) (PDF, English)

Catalog Pages/Data Sheets:

- [SOFT_SHELL_PIN_SOCKET_CONNECTORS_STANDARD_DENSITY](#) (PDF, English)

Product Specifications:

- None Available

Application Specifications:

- [Commercial MATE-N-LOK Pin And Socket Contacts](#) (PDF, English)
- [MATE-N-LOK Commercial Pin and Socket Contacts](#) (PDF, Japanese)

Instruction Sheets:

- None Available

CAD Files: (CAD Format & Compression Information)

- [2D Drawing](#) (DXF, Version AB)
- [3D Model](#) (IGES, Version AB)
- [3D Model](#) (STEP, Version AB)

[List all Documents](#)

Additional Information:

- [Product Line Information](#)

Related Products:

- [Tooling](#)
- [Housings \(69\)](#)

Product Features (Please use the Product Drawing for all design activity)

Product Type Features:

- Product Line = Commercial MATE-N-LOK
- Product Type = Contact
- Wire/Cable Type = Discrete Wire
- Sealed = No

Mechanical Attachment:

- Contact Retention = With
- Contact Retention Type = Locking Lance

Electrical Characteristics:

- Contact - Rated Current (A) = 15
- Operating Voltage Reference = AC
- Operating Voltage (VAC) = 250

Termination Features:

- Wire/Cable Size (mm²) = 0.2 - 0.8
- Wire/Cable Size (AWG) = 18 - 24
- Termination Method to Wire/Cable = Crimp

Body Features:

- Wire Type = Stranded

Contact Features:

- Contact Type = Socket
- Contact Plating, Mating Area, Material = Pre-Tin
- Contact Diameter (mm [in]) = 2.13 [0.084]
- Contact Base Material = Phosphor Bronze

Industry Standards:

- [RoHS/ELV Compliance](#) = RoHS compliant, ELV compliant
- [Lead Free Solder Processes](#) = Not relevant for lead free process
- RoHS/ELV Compliance History = Always was RoHS compliant
- VDE Tested = No

Environmental:

- Operating Temperature (°C [°F]) = -55 - +105 [-67 - +221]

Conditions for Usage:

- Applies To = Wire/Cable
- For Multiple Crimp = No
- Accepts Wire Insulation Diameter, Range (mm [in]) = 2.54 [0.100]
- For Use With = Commercial MATE-N-LOK housings

Operation/Application:

- Application Use = Wire-to-Wire

Packaging Features:

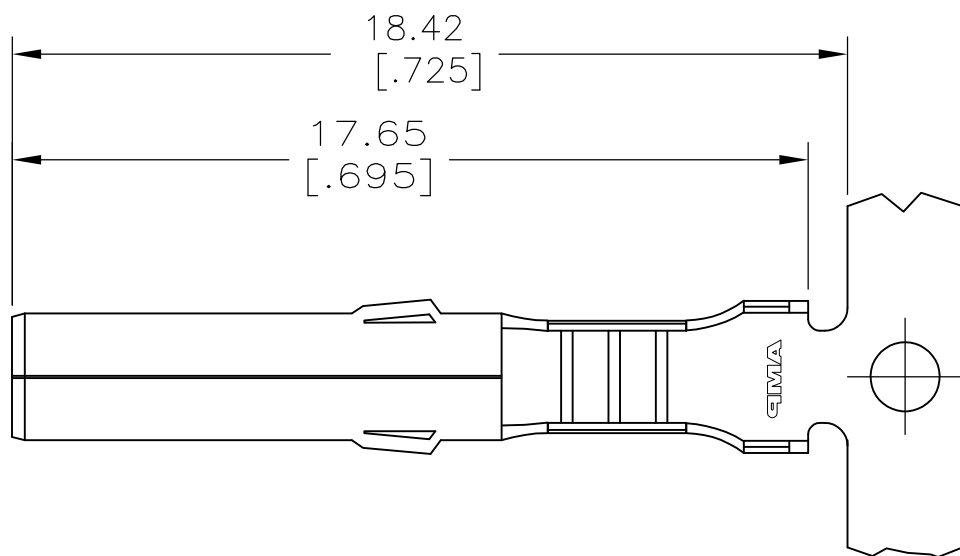
- Packaging Method = Reel
- Packaging Quantity = 7,000

Other:

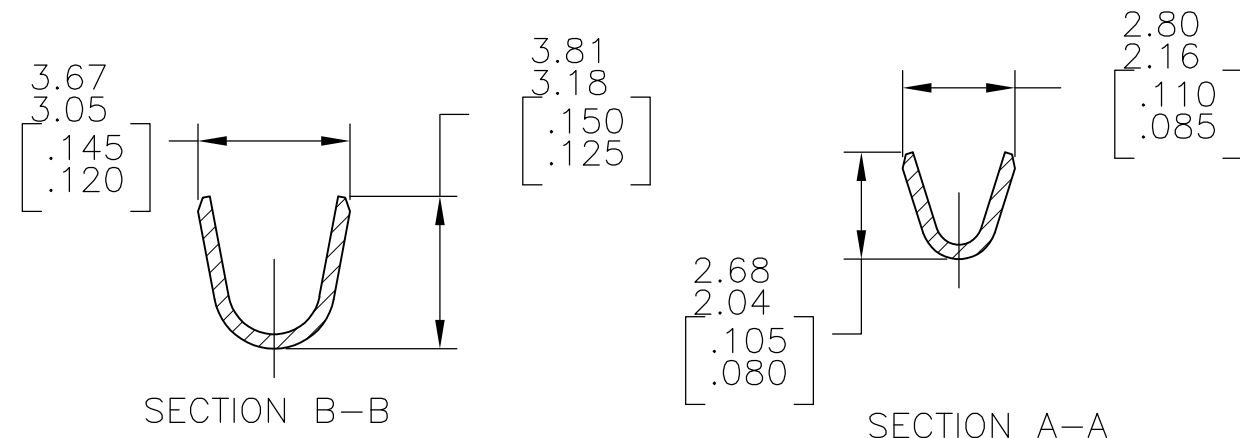
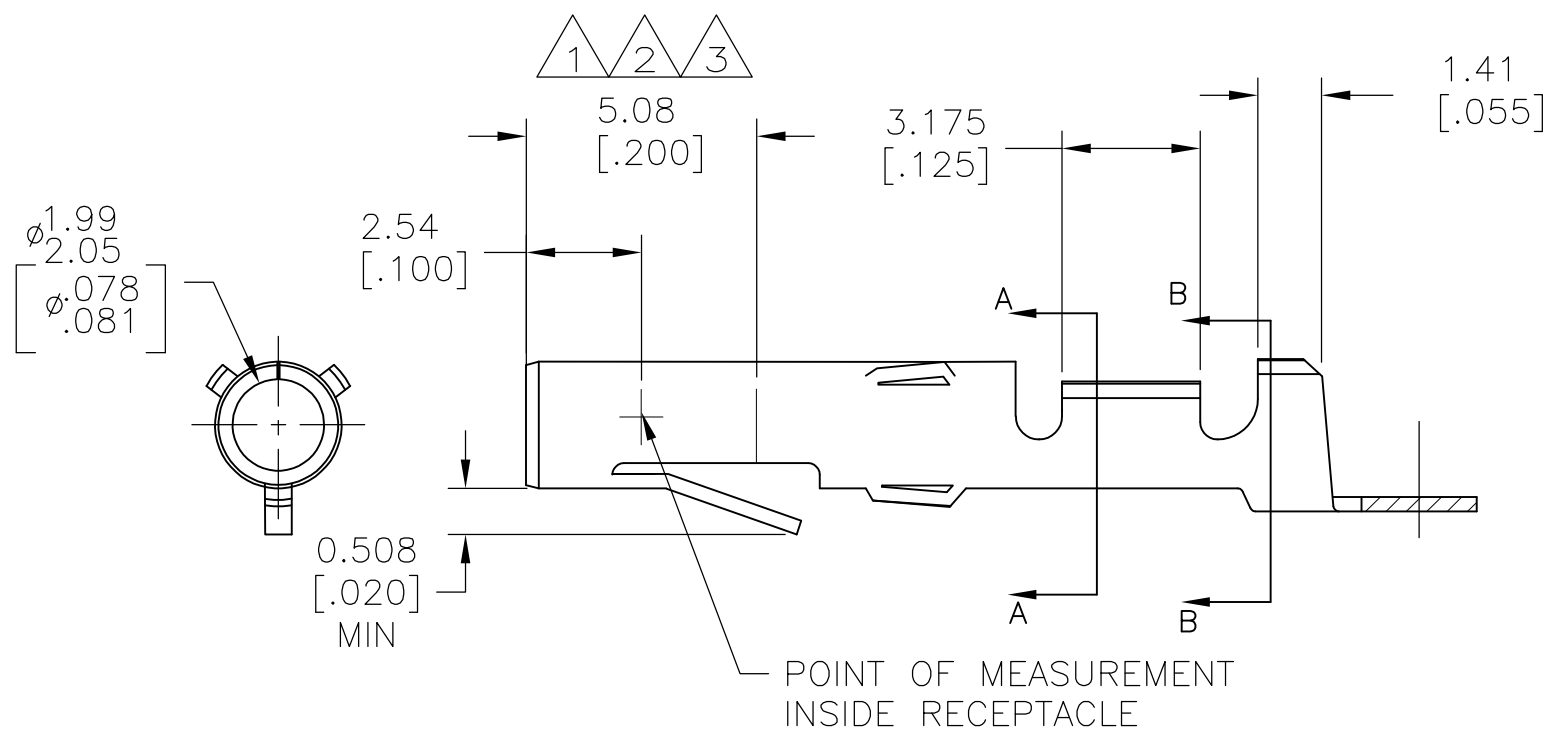
- Brand = AMP

THIS DRAWING IS UNPUBLISHED. RELEASED FOR PUBLICATION
 © COPYRIGHT - RUTH, JEFFERY ALL RIGHTS RESERVED.

LOC	DIST	REVISIONS			
P	LTR	DESCRIPTION	DATE	DWN	APVD
CM	00	AB2	REDRAWN AND PER ECR 12-013810	24SEPT12	KH TM



- 1 NICKEL ON ENTIRE TERMINAL WITH 0.00076[.000030] GOLD OVER INSIDE OF MATING AREA AND WIRE BARREL.
- 2 GOLD FLASH OVER NICKEL ON ENTIRE TERMINAL WITH 0.00076[.000030] GOLD OVER MATING AREA.
- 3 NICKEL ON ENTIRE TERMINAL WITH 0.00076[.000030] GOLD OVER INSIDE OF MATING AREA.
- 4 WIRE RANGE 24-18.
- 5 INSULATION DIA .100 MAX.



APPLICATOR TYPE	FINISH	MATERIAL	PART NO
MINI	GOLD 3	.012 BRASS	61314-7
MINI	GOLD 3	.012 PH BRZ	61314-6
MINI	GOLD 1	.012 BRASS	61314-5
MINI	PRE TIN	.012 PH BRZ	61314-4
MINI	-	.012 PH BRZ	61314-3
MINI	-	.012 BRASS	61314-2
MINI	PRE TIN	.012 BRASS	61314-1

THIS DRAWING IS A CONTROLLED DOCUMENT.		DWN KIRAN HOLAL 29JUN2012	STE TE Connectivity	
DIMENSIONS: mm [INCHES]		CHK RUTH,JEFFERY 29JUN2012		
TOLERANCES UNLESS OTHERWISE SPECIFIED:		APVD RUTH,JEFFERY 29JUN2012	NAME SOCKET™ COMMERCIAL MATE-N-LOK™	
0 PLC ± - 1 PLC ± - 2 PLC ± 0.38 [.015] 3 PLC ± - 4 PLC ± - ANGLES ± 1°		PRODUCT SPEC -	APPLICATION SPEC -	
MATERIAL SEE TABLE	FINISH SEE TABLE	WEIGHT -	SIZE A3	CAGE CODE 00779
CUSTOMER DRAWING			DRAWING NO C-61314	RESTRICTED TO -
			SCALE 6:1	SHEET 1 OF 1
			REV AB2	