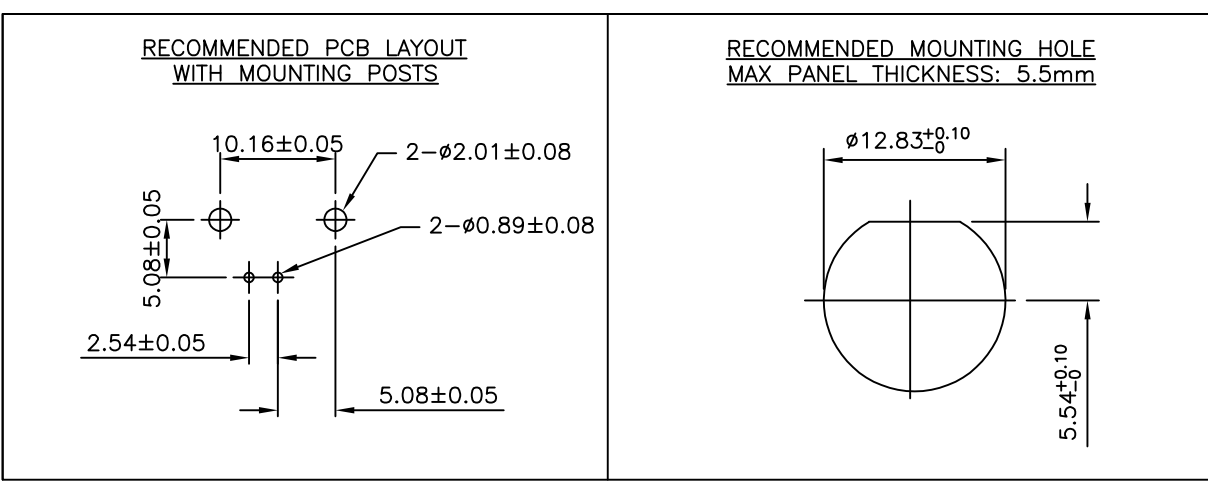
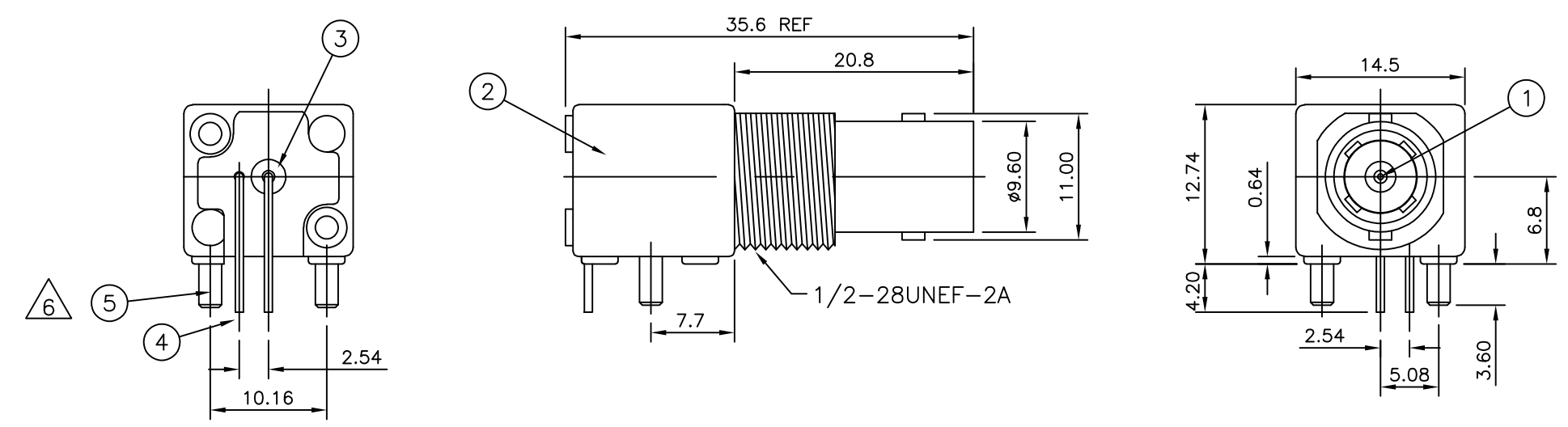


THIS DRAWING IS UNPUBLISHED. RELEASED FOR PUBLICATION FEB , 2005.  
 © COPYRIGHT 2005 By - ALL RIGHTS RESERVED.

LOC	DIST	REVISIONS					
		P	LTR	DESCRIPTION	DATE	DWN	APVD
E	B		D	ECO-09-003420	15 Feb 09	RITA	BOB
			E	ECO-12-014680	20Aug2012	TITAN	MARTIN

- NOTES:**
- 1 SINGLE PACK IN ACCORDANCE WITH AMP SPEC 107-3275
  - 2 50 TRAY PACK IN ACCORDANCE WITH AMP SPEC 107-3275
  - 3 Au PLATING OVER Ni PLATING OVER Cu PLATING
  - 4 Ni PLATING OVER Cu PLATING
  - 5 TIN PLATING
  - 6. FOR TECHNICAL DATA REFER TO YOUR LOCAL TYCO ELECTRONICS SALES OFFICE
  - 7. ALL DIMENSIONS ARE NOMINAL FOR REFERENCE ONLY UNLESS OTHERWISE STATED



QTY	QTY	MATERIAL	DESCRIPTION	ITEM
2	2	BRASS	MOUNTING POST	5
1	1	BRASS	SOLDER TAIL	4
1	1	PE-606	INSULATOR	3
1	1	ZINC ALLOY	BODY	2
1	1	BRASS	CONTACT	1
6--0	1--0	MATERIAL	DESCRIPTION	ITEM

Obsolete

THIS DRAWING IS A CONTROLLED DOCUMENT.

DWN RITA ZUO 15 Feb 09	TE Connectivity BNC ELBOW PCB SOCKET LOW PROFILE 50 OHM				
CHK ANSON MA 15 Feb 09					
APVD BOB ZHAO 15 Feb 09					
PRODUCT SPEC 108-112000					
MATERIAL SEE TABLE	FINISH SEE TABLE	SIZE A3	CAGE CODE 00779	DRAWING NO C-1337521	RESTRICTED TO
CUSTOMER DRAWING		SCALE NTS	SHEET 1 OF 1	REV E	