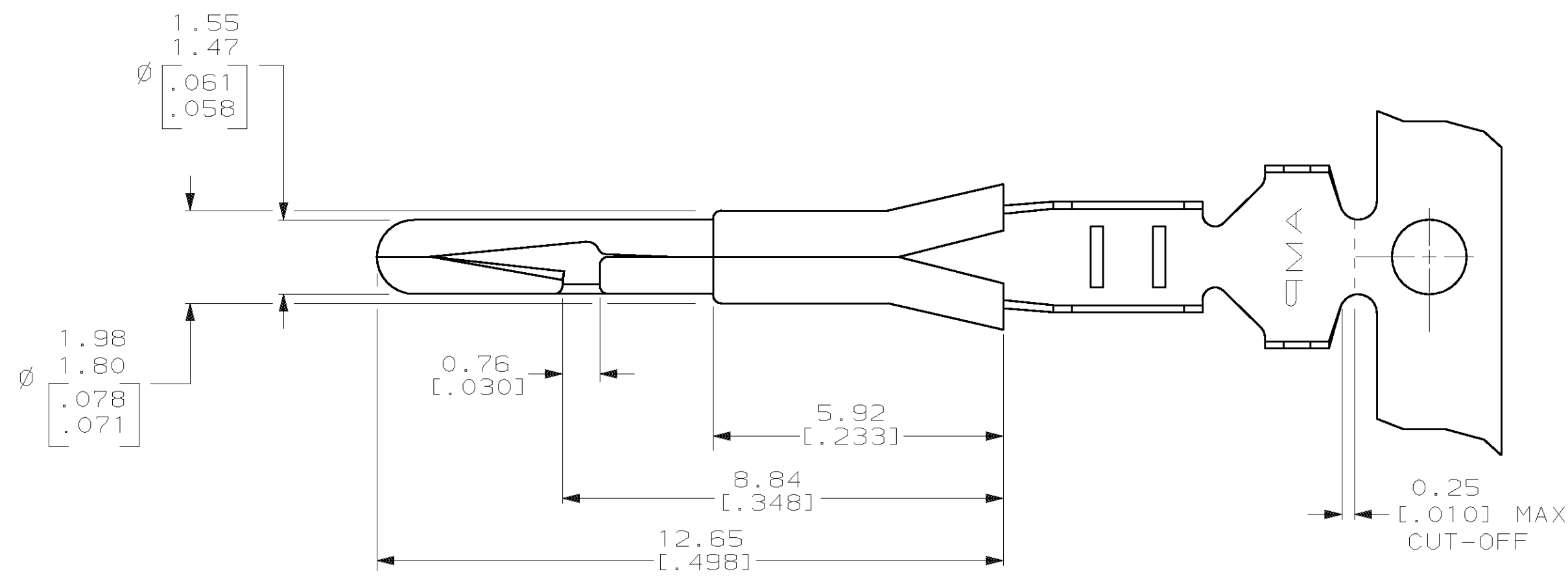
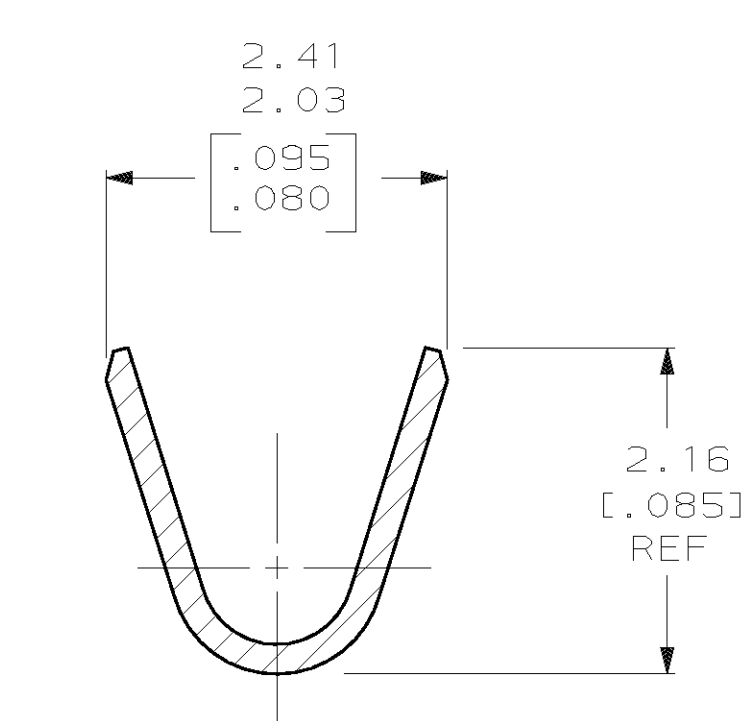
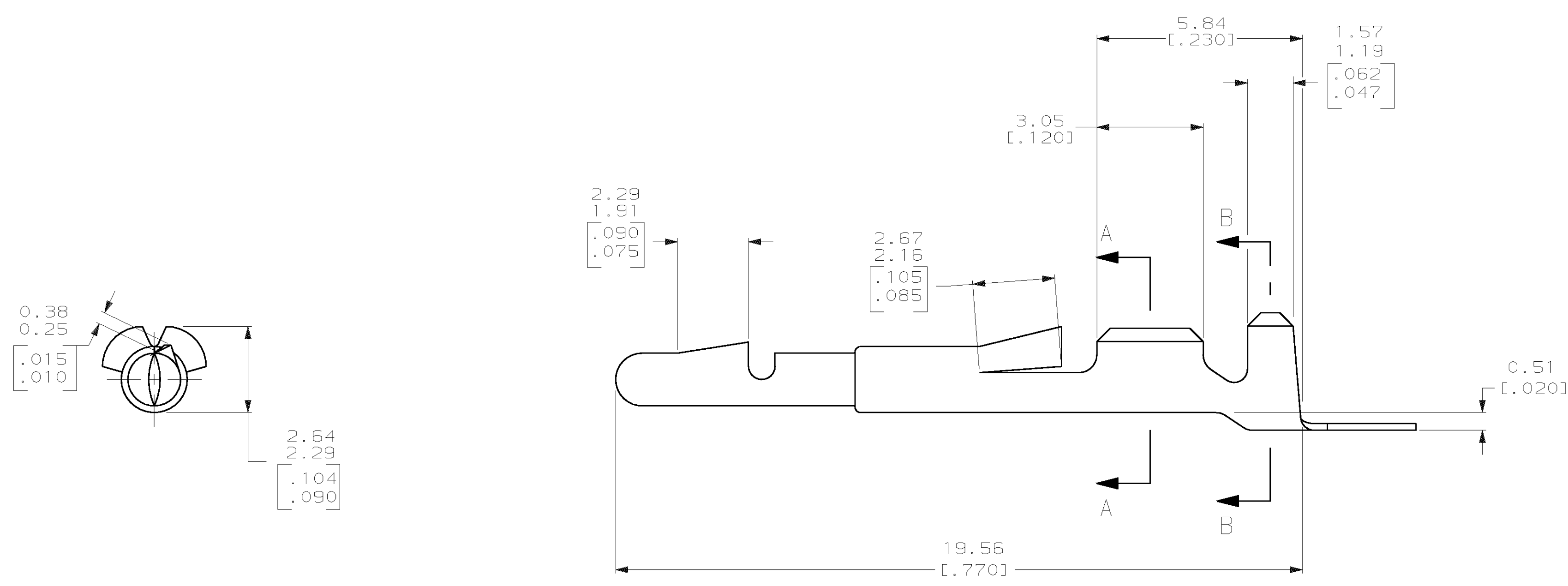


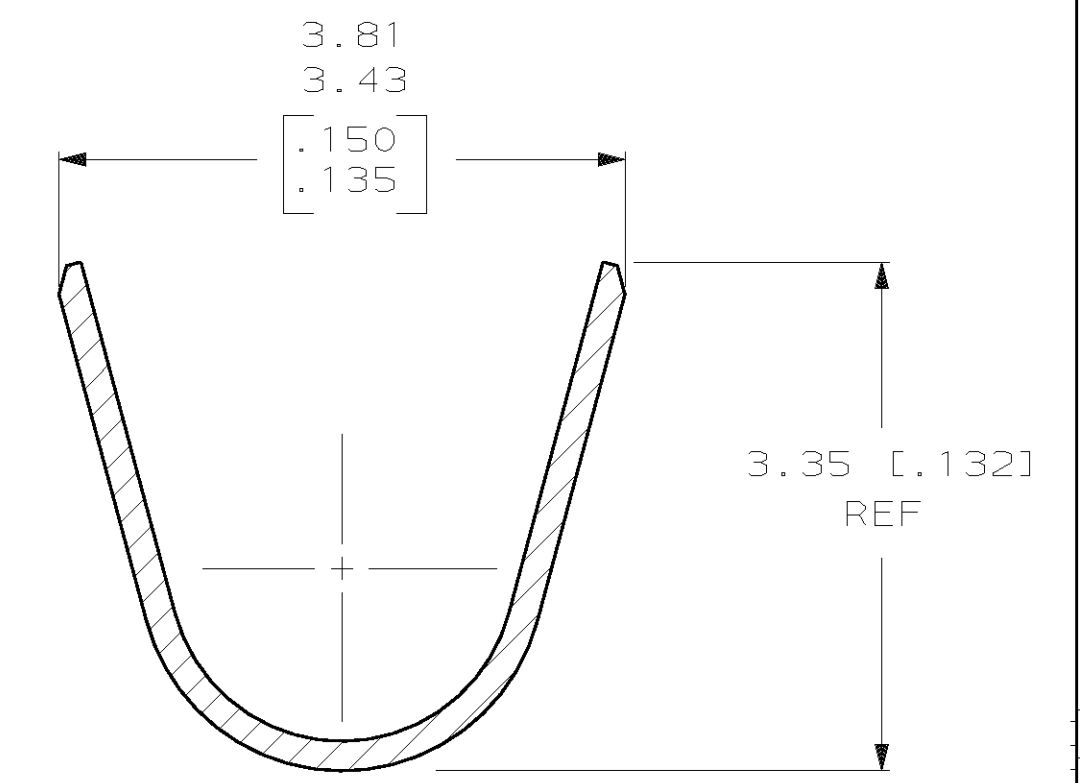
LOC		DIST		P		ZONE		LTR		REVISIONS		DATE	APPC
AF		50								DESCRIPTION		JR	DB
										V	REV PER 061A-0150-99	EMAY99	



1. CONTINUOUS STRIP ON REELS.
2. INSULATION RANGE:  $\varnothing$  1.52-2.79 [.060-.110].  
WIRE RANGE: 0.3-0.9 mm<sup>2</sup> [22-18] AWG.
3. DIMENSIONS IN BRACKETS ARE IN INCHES.



SECTION A-A  
SCALE 20:1



SECTION B-B  
SCALE 20:1

61366-1  
PART NUMBER

DO NOT SCALE PRINT. UNLESS SPECIFIED DIMENSIONS IN MM [INCHES] TOLERANCES ON: 2 PLC DEC $\pm$ 0.13 (.005) 3 PLC DEC $\pm$ - ANGLES $\pm$ -		DR 6-26-90 B. LEWIS		AMP INCORPORATED Harrisburg, Pa. 17105	
MATERIAL 0.20 [.008] BRASS		CHK 6-26-90 R. SWING			
FINISH PRE-TIN		APPD 6-27-90 D. SELF		NAME PIN, .060 DIA, AUTOMOTIVE MATE-N-LOK <sup>TM</sup>	
APPLICATION SPEC -		APPD 6-26-90 D. SELF		DRAWING NO 61366	
WEIGHT -		SCALE 10:1		SHEET 1 OF 1	

METRIC