

Distributed by:

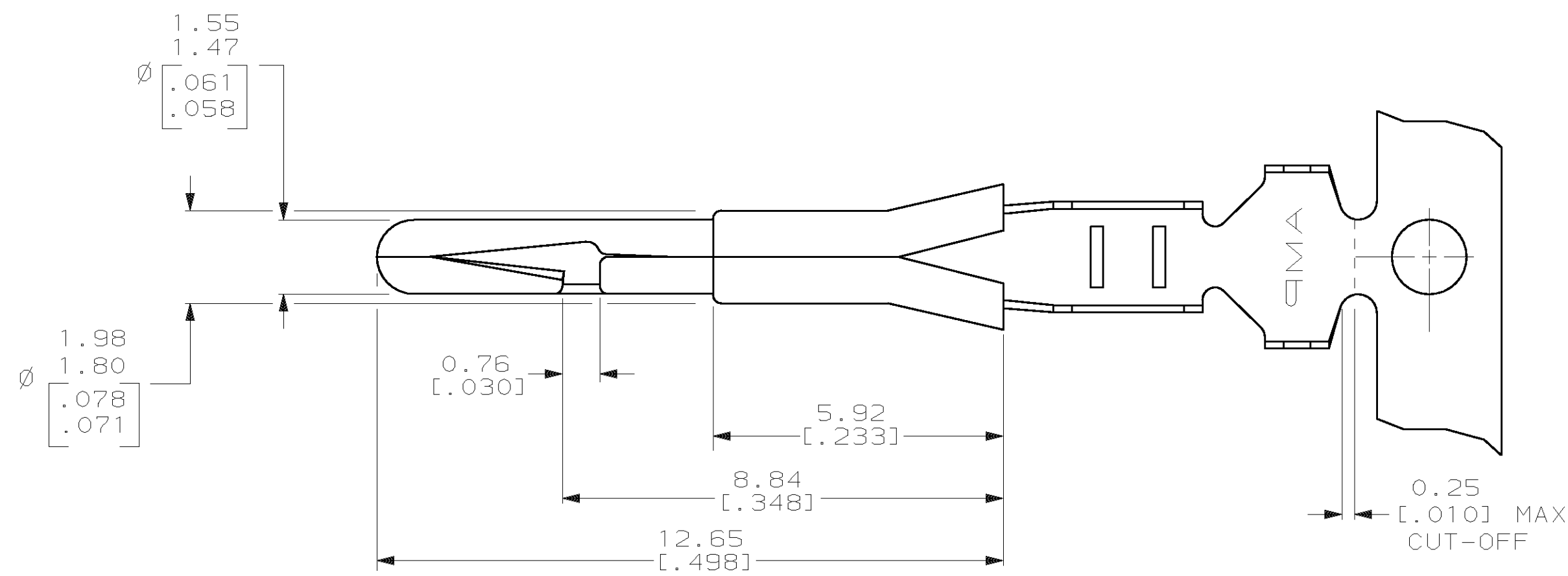
**JAMECO**<sup>®</sup>  
ELECTRONICS

**www.Jameco.com ♦ 1-800-831-4242**

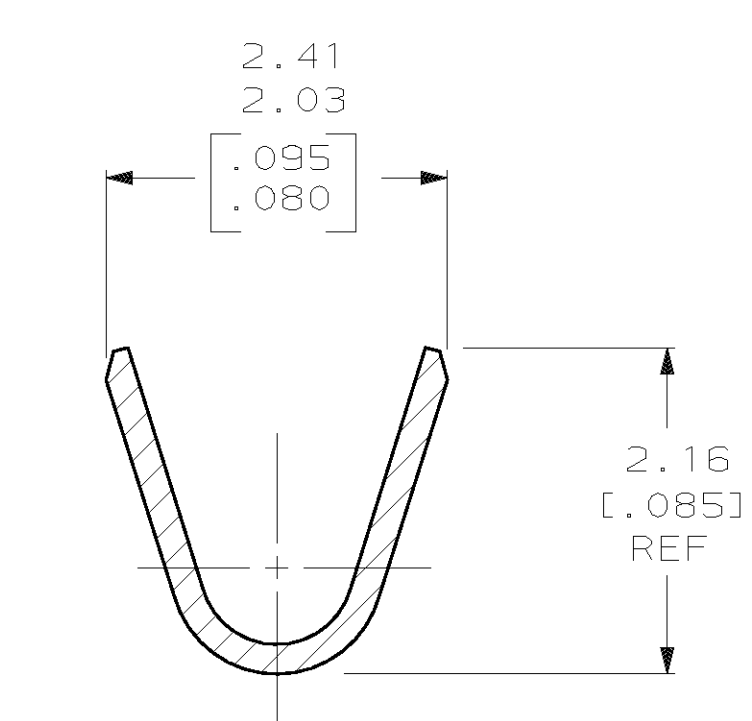
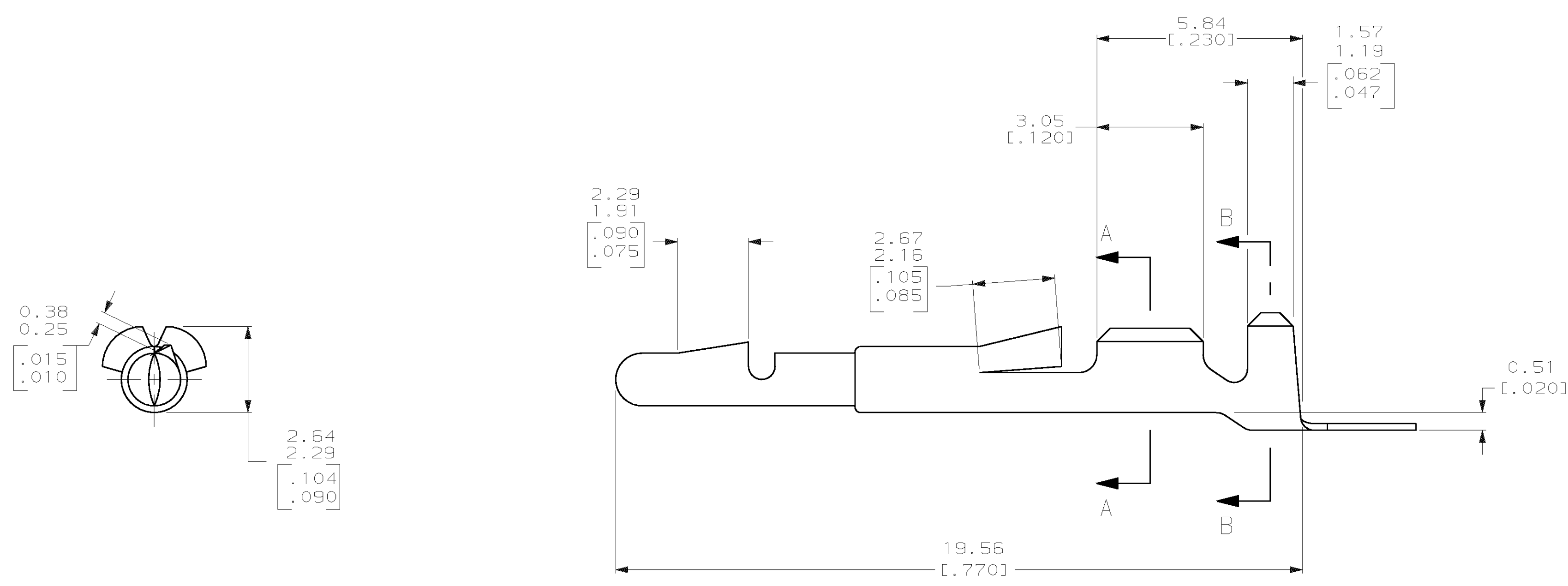
The content and copyrights of the attached  
material are the property of its owner.

Jameco Part Number 963333

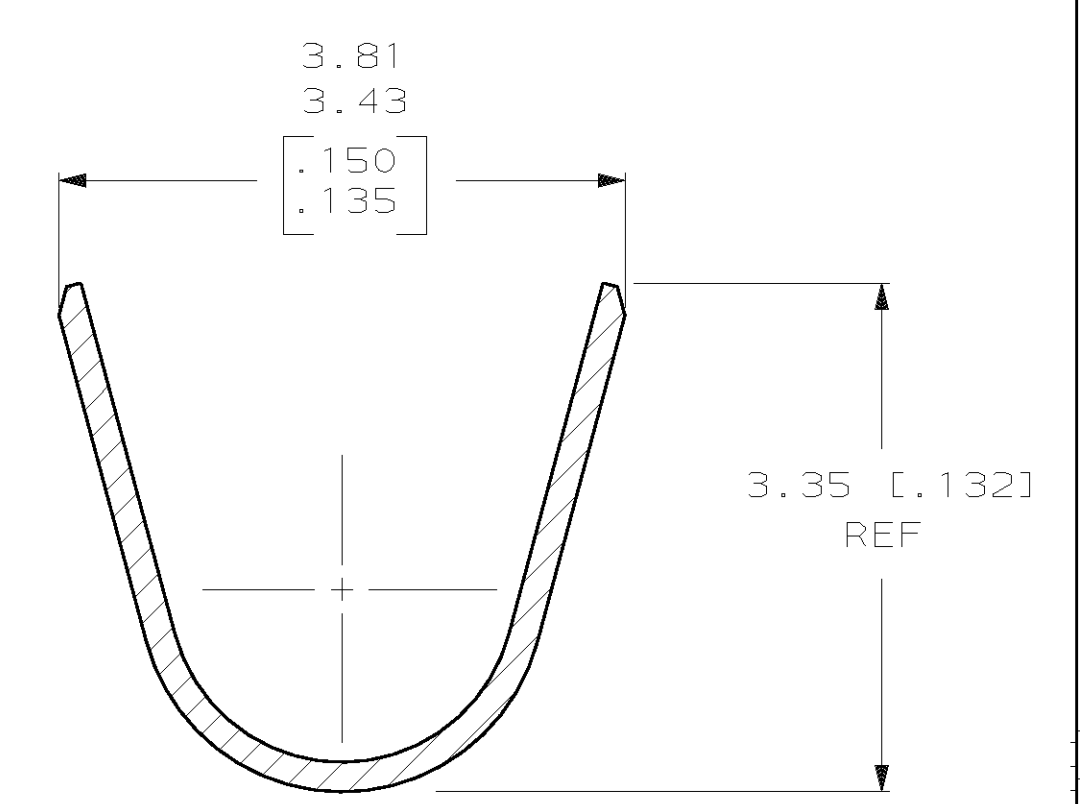
LOC		DIST		P		ZONE		LTR		REVISIONS		DATE	APPC
AF	50									DESCRIPTION		JR	DB
										V	REV PER 061A-0150-99	EMAY99	



1. CONTINUOUS STRIP ON REELS.
2. INSULATION RANGE: Ø 1.52-2.79 [.060-.110].  
WIRE RANGE: 0.3-0.9 mm<sup>2</sup> [22-18] AWG.
3. DIMENSIONS IN BRACKETS ARE IN INCHES.



SECTION A-A  
SCALE 20:1



SECTION B-B  
SCALE 20:1

61366-1  
PART NUMBER

DO NOT SCALE PRINT. UNLESS SPECIFIED DIMENSIONS IN MM [INCHES] TOLERANCES ON: 2 PLC DEC ± 0.13 (.005) 3 PLC DEC ± - ANGLES ± -		DR 6-26-90 B. LEWIS		AMP INCORPORATED Harrisburg, Pa. 17105	
MATERIAL 0.20 [.008] BRASS		CHK 6-26-90 R. SWING			
FINISH PRE-TIN		APPD 6-27-90 D. SELF		NAME PIN, .060 DIA, AUTOMOTIVE MATE-N-LOK™	
APPLICATION SPEC -		APPD 6-26-90 D. SELF		DRAWING NO 61366	
WEIGHT -		PRODUCT SPEC -		SCALE 10:1	
				SHEET 1 OF 1	

METRIC