



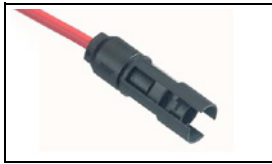
**Have a Question?**  
 Chat with a Product  
 Information Specialist

What can we help you find?

[Products](#) | 
 [Industries](#) | 
 [Resources](#) | 
 [About TE](#) | 
 [My Account](#) | 
 [Innovation](#) | 
 [Support Center](#)

## 6-1394461-6 Product Details

[Share](#) | 
 [Print](#) | 
 [Email](#)



**6-1394461-6**

TE Internal Number: 6-1394461-6

Active

View 3D PDF

### SOLARLOK Connector System

Always EU RoHS/ELV Compliant (Statement of Compliance)

#### Product Highlights:

- Connector
- Keying = Minus
- Insulation Diameter = 5.50 - 8.00 [.216 - .315] mm [in]
- Type of Connector = Cable Coupler
- Male

[View all Features](#)

### Quick Links

- ▶ [Pricing & Availability](#)
- ▶ [Search for Tooling](#)
- ▶ [Product Feature Selector](#)
- ▶ [Contact Us About This Product](#)

[Add to My Part List](#) | 
 [Request Sample](#) | 
 [Find Similar Products](#) | 
 [Buy Product](#)

### Documentation & Additional Information

#### Product Drawings:

- [PHOTOVOLTAIK CONNECTOR 1 POS. PHOTOVOLTAIK STECKVERB...](#) (PDF, English)

#### Catalog Pages/Data Sheets:

- [CONNECTIVITY\\_SYSTEMS\\_FOR\\_PV\\_INSTALLERS\\_3-1773458-6](#) (PDF, English)
- [SOLARLOK\\_CONNECTIVITY\\_SYSTEMS\\_FOR\\_PV\\_MANUFACTURERS\\_3...](#) (PDF, English)

#### Product Specifications:

- None Available

#### Application Specifications:

- [Application Specification](#) (PDF, English)

#### Instruction Sheets:

- None Available

#### CAD Files: (CAD Format & Compression Information)

- [2D Drawing](#) (DXF, Version M)
- [3D Model](#) (IGES, Version M)
- [3D Model](#) (STEP, Version M)

[List all Documents](#)

#### Related Products:

- [Tooling](#)

### Product Features (Please use the Product Drawing for all design activity)

#### Product Type Features:

- Product Type = Connector
- Type of Connector = Cable Coupler
- Gender = Male
- Wire Size (mm<sup>2</sup> [AWG]) = 6.0<sup>2</sup> [10]

#### Dimensions:

- Insulation Diameter (mm [in]) = 5.50 - 8.00 [.216 - .315]

#### Contact Features:

- Contact Base Material = Copper Zinc
- Contact Finish = Silver Plate

#### Housing Features:

- Housing Material = PPO
- Housing Color = Black

#### Industry Standards:

- [RoHS/ELV Compliance](#) = RoHS compliant, ELV compliant
- [Lead Free Solder Processes](#) = Not relevant for lead free process
- [RoHS/ELV Compliance History](#) = Always was RoHS compliant

#### Identification Marking:

- Keying = Minus

#### Packaging Features:

- Packaging Quantity = 100

#### Other:

- Brand = TE Connectivity

### Corporate Information

- [About TE](#)
- [Investors](#)
- [News Room](#)
- [Supplier Portal](#)
- [Careers](#)

### Quick Links

- [Distributor Inventory](#)
- [Product Cross Reference](#)
- [Documents & Drawings](#)
- [Product Compliance Support Center](#)
- [Site Map](#)

### Customer Support

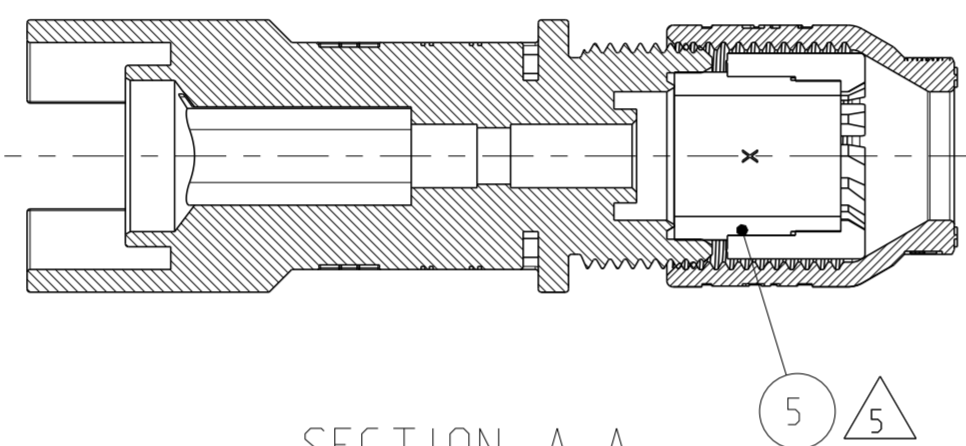
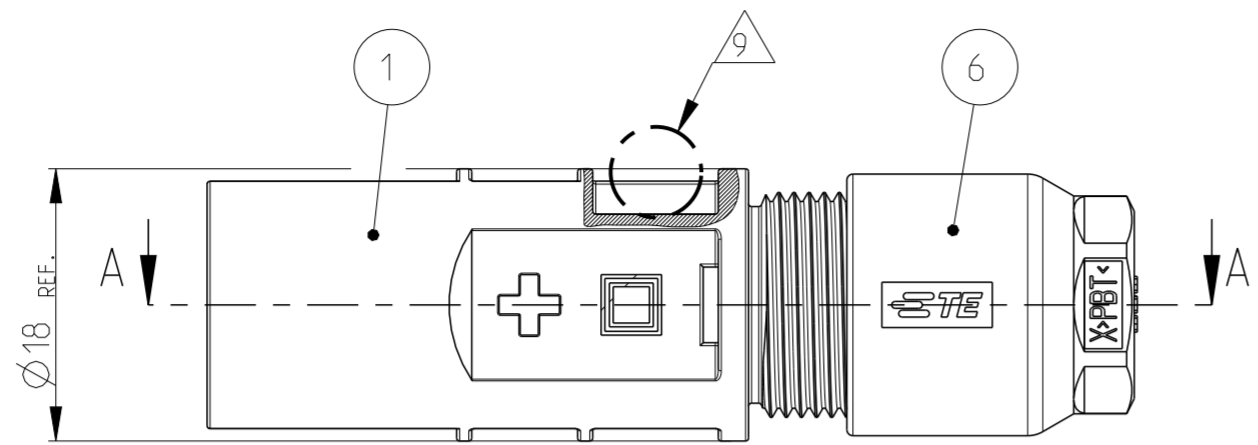
- [Email or Chat With Us](#)
- [Find a Phone Number](#)
- [Knowledge Base](#)
- [Manage Your Account](#)

THIS DRAWING IS UNPUBLISHED  
 VERTRAULICHE UNVERÖFFENTLICHTE ZEICHNUNG  
 © COPYRIGHT 2002 TE Connectivity

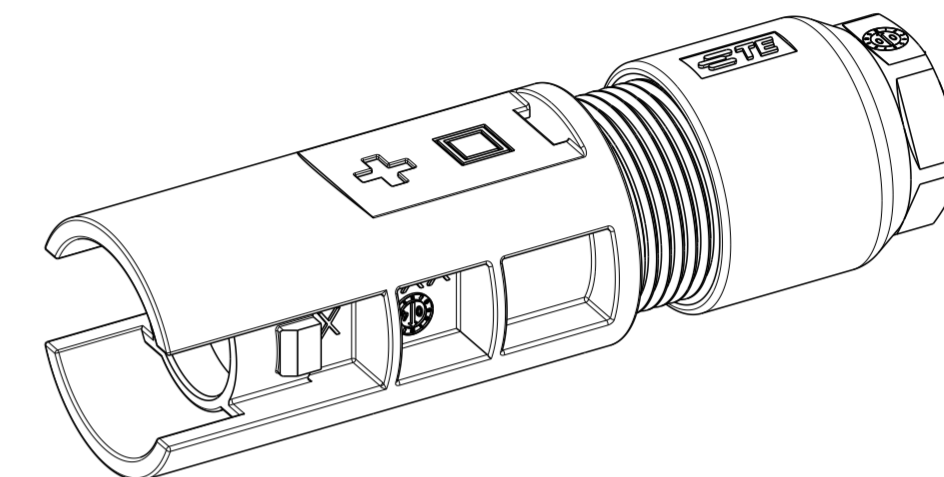
RELEASED FOR PUBLICATION  
 FREI FUER VERÖFFENTLICHUNG  
 ALL RIGHTS RESERVED.  
 ALLE INTERNATIONALEN RECHTE VORBEHALTEN.

MATED WITH:  
 PASSEND ZU:

LOC	DIST	REVISIONS					
A1	-	P	LTR	DESCRIPTION	DATE	DWN	APVD
PROJEKT NR.:		M1		PINCH RING SEAL-INMOLDED, ASSYCHANGED TO GEN.4	06DEC2012	V.P	T.J

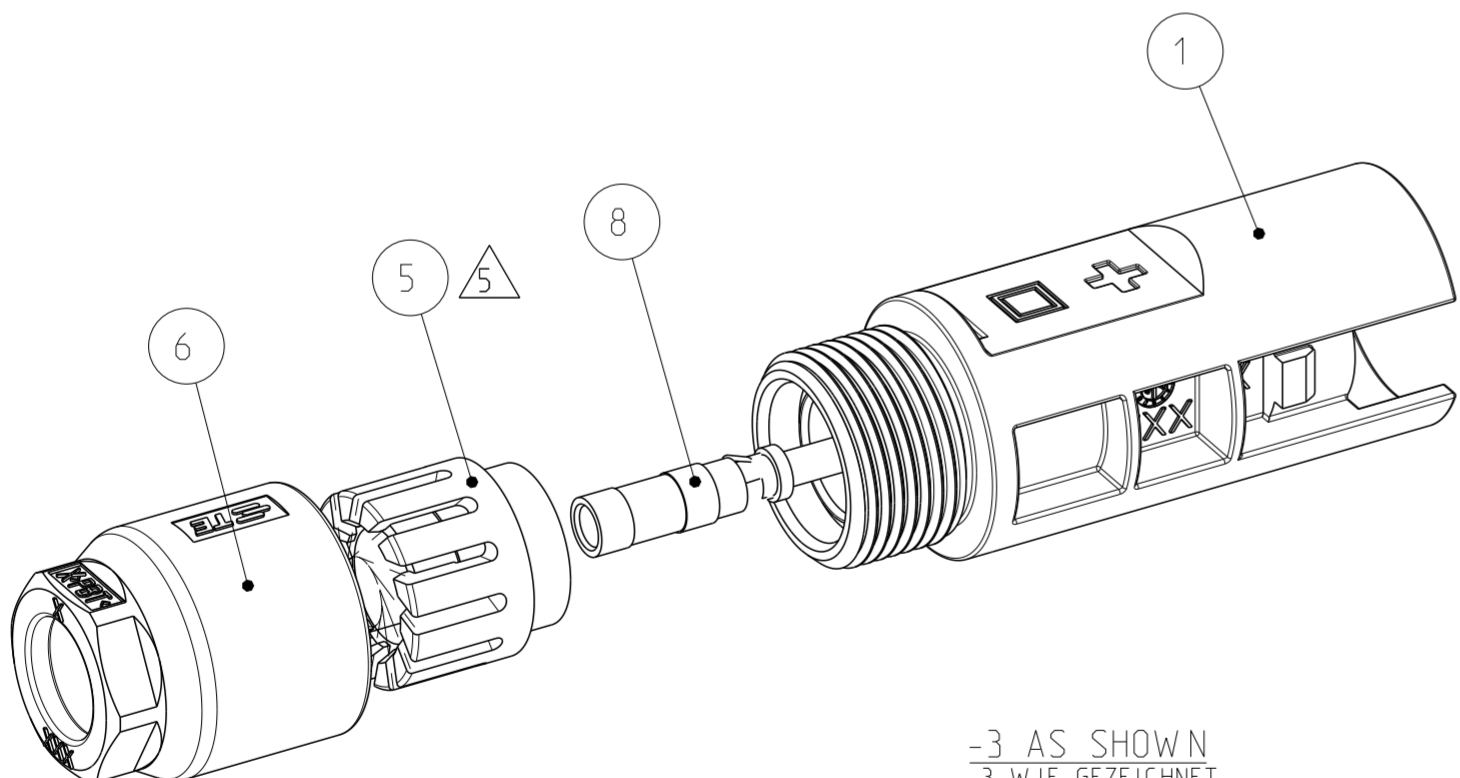


-3 PREASSEMBLED AS SHOWN  
 -3 VORASSEMBLIERT WIE GEZEICHNET



SCALE 2:1 / M 2:1

SECTION A-A  
 SCHNITT A-A



-3 AS SHOWN  
 -3 WIE GEZEICHNET

														ORDER-NO. BESTELL-NR.													
7-1394461-5	7-1394461-4	7-1394461-3	7-1394461-2	7-1394461-1	7-1394461-0	6-1394461-6	6-1394461-5	6-1394461-4	6-1394461-3	6-1394461-2	6-1394461-1	4-1394461-9	4-1394461-8	4-1394461-7	2-1394461-8	1394461-8	1394461-7	1394461-4	1394461-3	1394461-2	1394461-1	14	INSTRUCTION SHEET VERARBEITUNGSANWEISUNG	8	-	-	
1	1	1	1	1	1	1	1	1	1	1	1	1	1	1	1	1	1	1	1	1	1	13	PLASTIC BAG KUNSTSTOFF-BEUTEL	1	8	TRANSPARENT	PE-LD
3	1	1	3	1	1	1	1	3	3	3	1	1	1	1	1	1	1	1	1	1	1	12	ZIP LOCK BAG MINIGRIP-BEUTEL	2	8	TRANSPARENT	PE-LD
1	-	-	1	-	-	-	1	1	1	-	-	-	-	-	-	-	-	-	-	-	-	11	LABEL MINUS ETIKETT MINUS	2	8	WHITE WEISS	POLYESTER
1	-	-	1	-	-	-	1	1	1	1	-	-	-	-	-	-	-	-	-	-	-	10	LABEL PLUS ETIKETT PLUS	2	8	WHITE WEISS	POLYESTER
1	1	1	-	-	1	1	1	-	-	-	-	-	-	-	-	-	-	-	-	-	-	9	PIN CONTACT ASSY HVT, 6mm <sup>2</sup> / 10AWG STIFTKONTAKT ASSY HVT, 6mm <sup>2</sup> / 10AWG	2	7	Ag / PLAIN Ag / BLANK	CuZn / X10CrNi 18 8 CuZn / X10CrNi 18 8
-	-	-	1	1	1	-	-	-	1	-	-	-	-	-	1	1	-	-	-	-	-	8	PIN CONTACT ASSY HVT, 4mm <sup>2</sup> / 12AWG STIFTKONTAKT ASSY HVT, 4mm <sup>2</sup> / 12AWG	2		Ag / PLAIN Ag / BLANK	CuZn / X10CrNi 18 8 CuZn / X10CrNi 18 8
-	-	-	-	-	-	-	-	1	-	1	-	-	1	-	1	1	-	-	-	-	-	7	PIN CONTACT ASSY HVT, 2.5mm <sup>2</sup> STIFTKONTAKT ASSY HVT, 2.5mm <sup>2</sup>	2		Ag / PLAIN Ag / BLANK	CuZn / X10CrNi 18 8 CuZn / X10CrNi 18 8
1	1	1	1	1	1	1	1	1	1	1	1	1	1	1	1	1	1	1	1	1	1	6	CABLE SCREW JOINT KABELVERSCHRAUBUNG	1	6	BLACK SCHWARZ	PBT PBT
-	-	-	-	-	1	1	1	-	1	1	1	1	1	-	-	1	1	1	1	1	1	5	PINCH RING SEAL-INMOLDED, ASSY KLEMMKORB DICHTUNG UMSPRITZT, ASSY	1	5	-	PA66 / LSR PA66 / LSR
1	1	1	1	1	1	-	-	1	-	-	-	-	-	-	1	1	-	-	-	-	-	4	PINCH RING SEAL, ASSY KLEMMKORB DICHTUNG, ASSY	1	4	BLACK SCHWARZ	POM / EPDM+PP POM / EPDM+PP
1	-	-	1	-	-	-	1	1	1	1	-	-	-	-	-	-	-	-	-	-	-	3	PIN HOUSING NEUTRAL STIFTGEHÄUSE NEUTRAL	1		BLACK SCHWARZ	PPE+PS PPE+PS
-	1	-	-	1	-	1	-	-	-	-	1	-	1	-	1	-	1	-	1	-	-	2	PIN HOUSING MINUS STIFTGEHÄUSE MINUS	1		BLACK SCHWARZ	PPE+PS PPE+PS
-	-	1	-	-	1	-	-	-	-	-	1	-	1	-	1	-	1	-	1	-	-	1	PIN HOUSING PLUS STIFTGEHÄUSE PLUS	1		BLACK SCHWARZ	PPE+PS PPE+PS
QUANTITY STÜCK																						ITEM-NO. POS.	DESCRIPTION BENENNUNG		SURFACE OBERFLÄCHE	MATERIAL	

THIS DRAWING IS A CONTROLLED DOCUMENT.

DWN: E.WERNER 25-JAN-02  
 CHK: H.SCHERER 25-JAN-02  
 APVD: G.FELDMAYER 25-JAN-02

DIMENSIONS: MASSEINHEITEN: (MM)

TOLERANCES UNLESS OTHERWISE SPECIFIED: ALLGEMEINTOLERANZEN

0 PLC ±  
 1 PLC ±  
 2 PLC ±  
 3 PLC ±  
 4 PLC ±  
 ANGLES/WINKEL ±  
 FINISH/OBERFLÄCHE/FARBE

PRODUCT SPEC: 108-18701  
 APPLICATION SPEC: 114-18488-1

WEIGHT: -  
 GEWICHT: -

Customer Drawing

TE Connectivity

NAME: PHOTOVOLTAIK CONNECTOR 1 POS.  
 PHOTOVOLTAIK STECKVERBINDER 1 POL.

SIZE: A2  
 CAGE CODE: 00779  
 DRAWING NO. ZEICHNUNGS-NR.: C-1394461

RESTRICTED TO NUR FUER: -

SCALE MASSSTAB: 2:1  
 SHEET BLATT: 1 OF VON 3  
 REV: M1

LOC	DIST	REVISIONS				
		AENDERUNGEN	DESCRIPTION	DATE	DWN	APVD
A1	-					
PROJEKT NR.: EGLPC00034			SEE SHEET 1			

1 PACKAGING INSTRUCTION: 100 PIECES PIN HOUSINGS ( ITEM NO. 1, 2 OR 3 ) AND PINCH RING SEAL, ASSY ( ITEM NO. 4 ) OR PINCH RING SEAL INMOLDED ASSY ( ITEM NO. 5 ) PREASSEMBLED WITH CABLE SCREW JOINT ( ITEM NO. 6 ).  
 PREASSEMBLED PARTS PACKAGED IN ESD PLASTIC BAG ( ITEM NO. 13 ).  
 ESD PLASTIC BAG ( ITEM NO. 13 ) PROVIDED WITH LABEL AND LABEL MARKED WITH PART NUMBER, QUANTITY AND DESCRIPTION.

PIN CONTACT ASSY'S ( ITEM NO. 7, 8 OR 9 ) PACKAGED ACCORDING TO 2 .

2 PACKAGING INSTRUCTION: 100 PIECES OF EACH PART PACKAGED IN ZIP LOCK BAG ( ITEM NO. 12 ).  
 ZIP LOCK BAG ( ITEM NO. 12 ) PROVIDED WITH LABEL AND LABEL MARKED WITH PART NUMBER, QUANTITY AND DESCRIPTION.

3 PACKAGING UNIT: ALL COMPONENTS OF EACH DASH-NUMBER PACKAGED ACCORDING TO 1 OR 2  
 PACKAGED IN CORRUGATED SHIPPING BOX.  
 PUT INSIDE ON TOP CORRUGATED SHIPPING BOX INSTRUCTION SHEET ( ITEM NO. 14 ).  
 CORRUGATED SHIPPING BOX PROVIDED WITH LABEL AND LABEL MARKED WITH PART NUMBER, QUANTITY AND DESCRIPTION.

4 FOR CABLE DIAMETER 4.5mm TO 6.9mm

5 FOR CABLE DIAMETER 5.5mm TO 7.8mm

6 TIGHTENING TORQUE SEE APPLICATION SPECIFICATION 114-18488-1

7 USE ONLY SOLAR CABLE TYPE: OKONITE USE-2

8 LABELS ( ITEM NO. 10 AND 11 ), ZIP LOCK BAG ( ITEM NO. 12 ), ESD PLASTIC BAG ( ITEM NO. 13 ), AND INSTRUCTION SHEET ( ITEM NO. 14 ) NOT SHOWN

9 IN THIS AREA A MOULD INJECTION POINT UP TO MAXIMUM HEIGHT OF 2mm IS ACCEPTABLE

1 VERPACKUNGSANWEISUNG: 100 STUECK STIFTGEHAEUSE ( POS. 1, 2 ODER 3 ) UND KLEMMKORB DICHTUNG, ASSY ( POS. 4 ) BZW. KLEMMKORB DICHTUNG UMSPRITZT, ASSY ( POS. 5 ) VORASSEMBLIERT MIT KABELVERSCHRAUBUNG ( POS. 6 ).  
 VORASSEMBLIERTE TEILE VERPACKT IN ESD KUNSTSTOFF-BEUTEL ( POS. 13 ).  
 ESD KUNSTSTOFF-BEUTEL ( POS. 13 ) MIT ETIKETT VERSEHEN UND ETIKETT MIT TEILENUMMER, STUECKZAHL UND BEZEICHNUNG BESCHRIFTET.

STIFTKONTAKT ASSY'S ( POS. 7, 8, ODER 9 ) VERPACKT GEMAESS 2 .

2 VERPACKUNGSANWEISUNG: 100 STUECK VON JEDEM TEIL IM MINIGRIP-BEUTEL ( POS. 12 ) VERPACKT.  
 MINIGRIP-BEUTEL ( POS. 12 ) MIT ETIKETT VERSEHEN UND ETIKETT MIT TEILENUMMER, STUECKZAHL UND BEZEICHNUNG BESCHRIFTET.

3 VERPACKUNGSEINHEIT: ALLE KOMPONENTEN EINER STRICHVARIANTE VERPACKT GEMAESS 1 UND 2  
 IN VERSANDKARTON VERPACKT.  
 VERSANDKARTON VERARBEITUNGSANWEISUNG ( POS. 14 ) OBENAUF GELEGT.  
 VERSANDKARTON MIT ETIKETT VERSEHEN UND ETIKETT MIT TEILENUMMER, STUECKZAHL UND BEZEICHNUNG BESCHRIFTET.

4 FUER LEITUNGSDURCHMESSER 4.5mm BIS 6.9mm


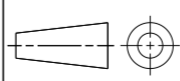
5 FUER LEITUNGSDURCHMESSER 5.5mm BIS 7.8mm

6 ANZUGSDREHMOMENT SIEHE VERARBEITUNGSSPEZIFIKATION 114-18488-1

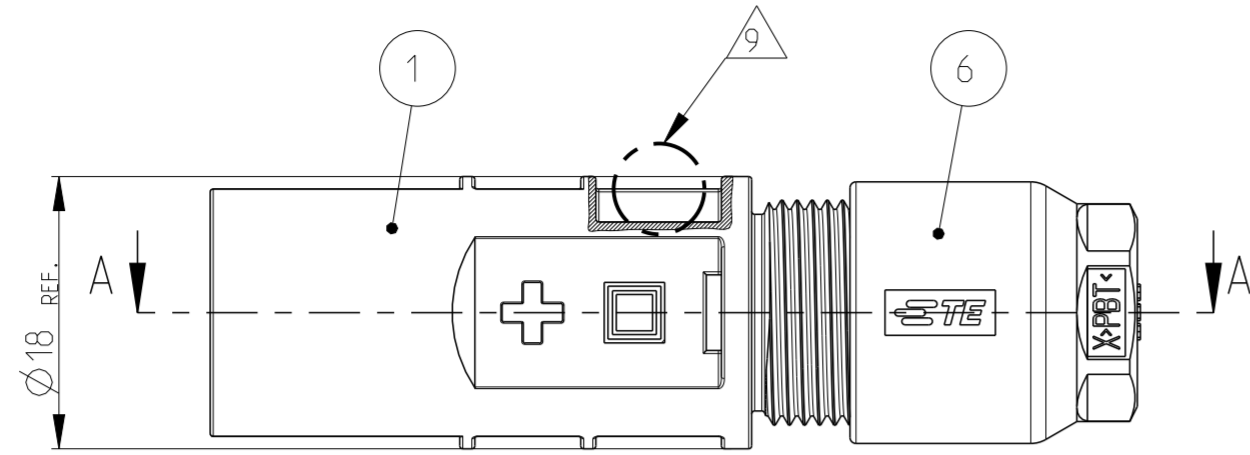
7 NUR SOLARKABEL TYP: OKONITE USE-2 VERWENDEN

8 ETIKETTEN ( POS. 10 UND 11 ), MINIGRIP-BEUTEL ( POS. 12 ), ESD KUNSTSTOFF-BEUTEL ( POS.13 ) UND VERARBEITUNGSANWEISUNG ( POS. 14 ) NICHT DARGESTELLT

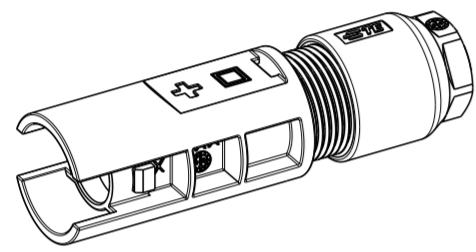
9 IN DIESEM BEREICH EIN ANSPRITZPUNKT BIS ZU EINER MAXIMALEN HOEHE VON 2mm ZULÄSSIG

THIS DRAWING IS A CONTROLLED DOCUMENT.		DWN E. WERNER 25-JAN-02	 TE Connectivity	
		CHK H. SCHERER 25-JAN-02		
		APVD G. FELDMEIER 25-JAN-02	NAME PHOTOVOLTAIK CONNECTOR 1 POS. PHOTOVOLTAIK STECKVERBINDER 1 POL.	
DIMENSIONS: MASSEINHEITEN: (MM)		TOLERANCES UNLESS OTHERWISE SPECIFIED: ALLGEMEINTOLERANZEN	PRODUCT SPEC PRODUKTSPEZ. 108-18701	
		0 PLC ± 1 PLC ± 2 PLC ± 3 PLC ± 4 PLC ± ANGLES/WINKEL ± FINISH/OBERFLAECHE/FARBE	APPLICATION SPEC VERARBEITUNGSSPEZ. 114-18488-1	
MATERIAL		WEIGHT GEWICHT	SIZE A2	RESTRICTED TO NUR FUER
			CAGE CODE 00779	
		Customer Drawing	DRAWING NO. ZEICHNUNGS-NR. C-1394461	
			SCALE MASSSTAB 2:1	SHEET BLATT 2
			OF VON 3	REV. M1

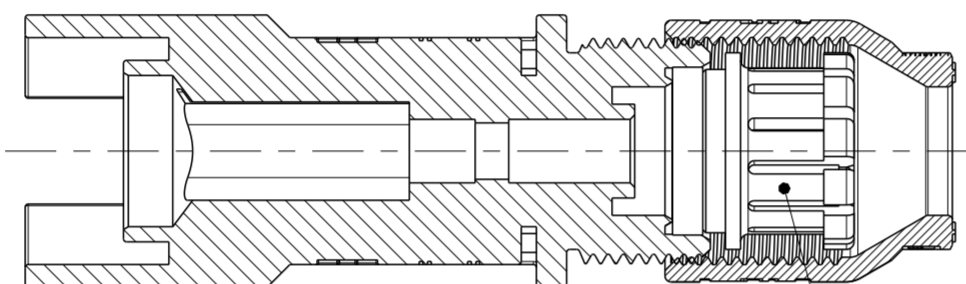
LOC	DIST	REVISIONS				
		AENDERUNGEN	DESCRIPTION	DATE	DWN	APVD
		BESCHREIBUNG				
A1	-	P	LTR			
PROJEKT NR.: EGLPC00034		-	SEE SHEET 1	-	-	-



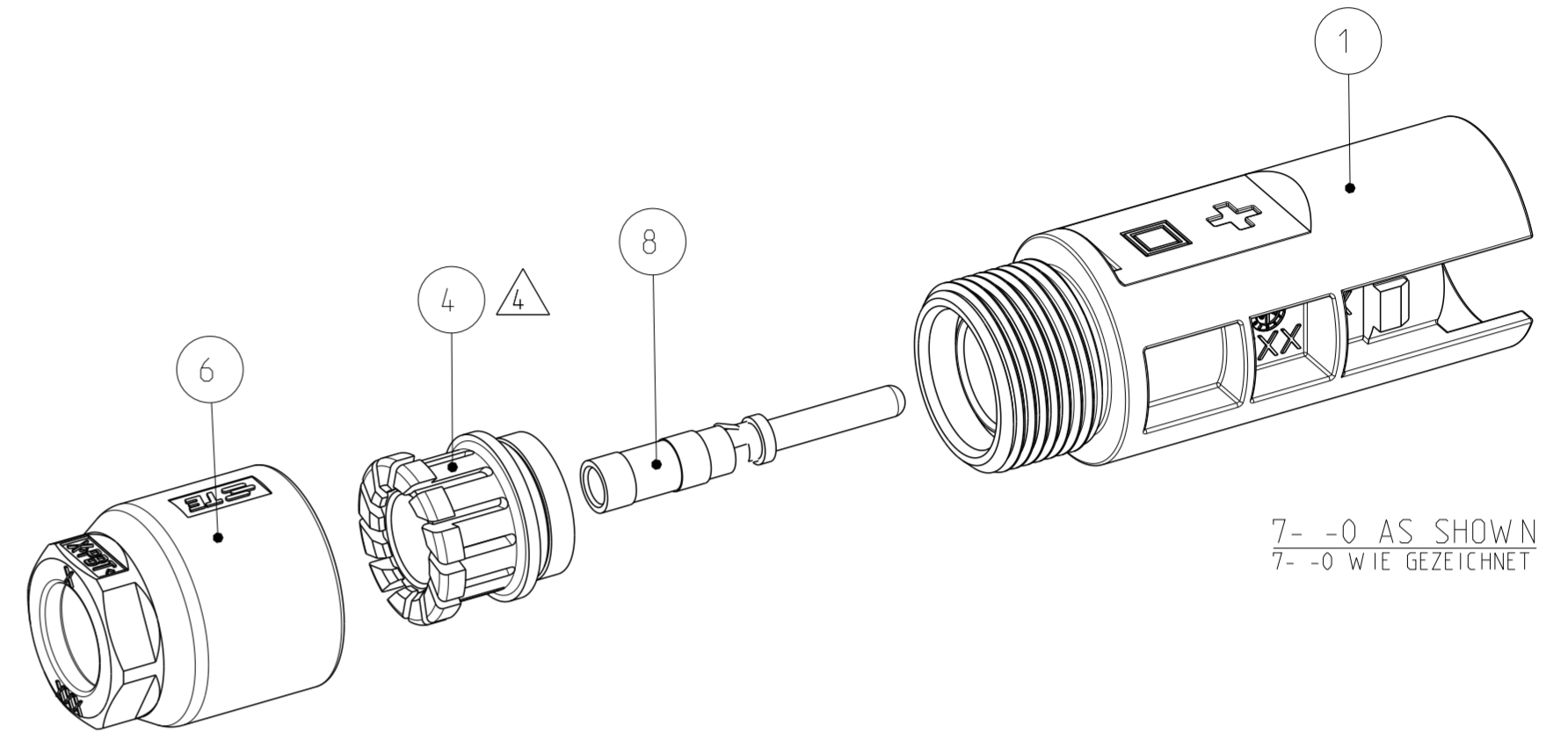
SECTION A-A  
 SCHNITT A-A



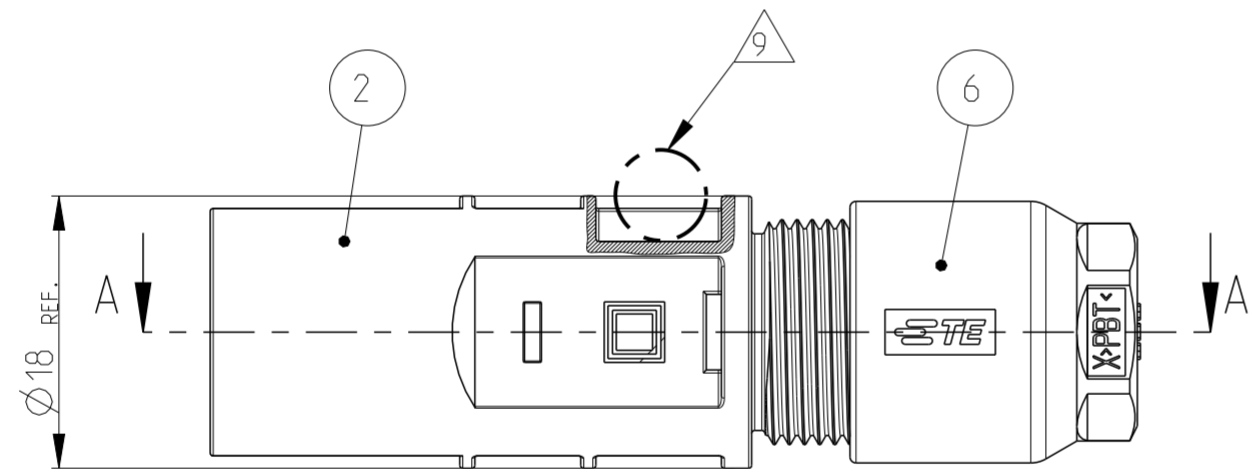
SCALE 1:1 / M 1:1



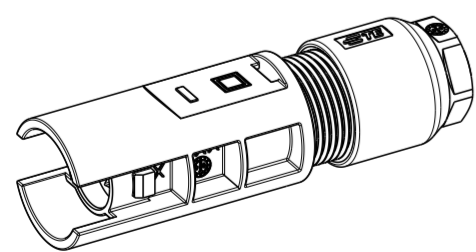
7- 0 PREASSEMBLED AS SHOWN  
 7- 0 VORASSEMBLIERT WIE GEZEICHNET



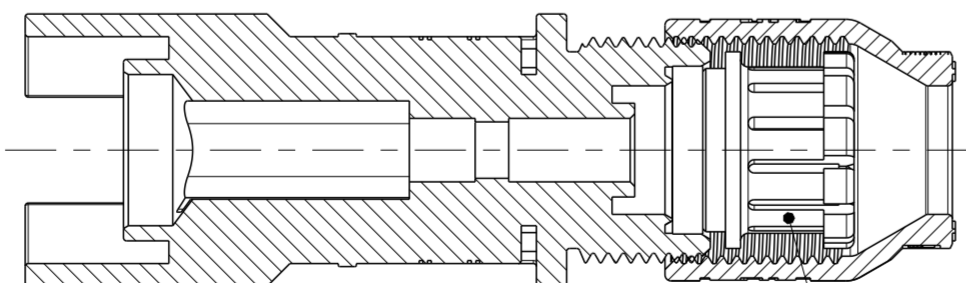
7- 0 AS SHOWN  
 7- 0 WIE GEZEICHNET



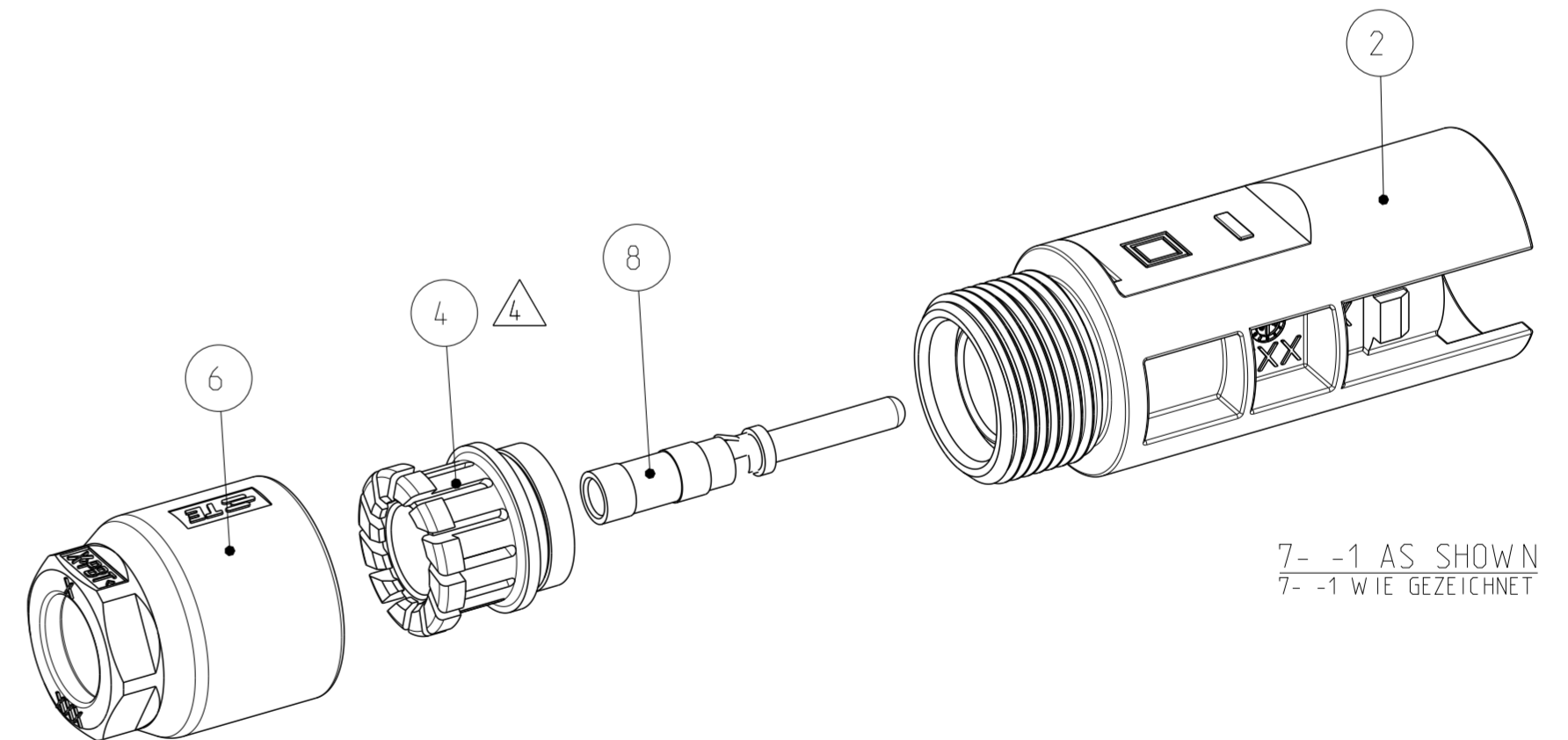
SECTION A-A  
 SCHNITT A-A



SCALE 1:1 / M 1:1



7- 1 PREASSEMBLED AS SHOWN  
 7- 1 VORASSEMBLIERT WIE GEZEICHNET



7- 1 AS SHOWN  
 7- 1 WIE GEZEICHNET

THIS DRAWING IS A CONTROLLED DOCUMENT.		DWN E. WERNER 25-JAN-02	TE Connectivity		
DIMENSIONS: MASSEINHEITEN: (MM)		CHK H. SCHERER 25-JAN-02			
TOLERANCES UNLESS OTHERWISE SPECIFIED: ALLGEMEINTOLERANZEN		APVD G. FELDMEIER 25-JAN-02	NAME PHOTOVOLTAIK CONNECTOR 1 POS. PHOTOVOLTAIK STECKVERBINDER 1 POL.		
0 PLC ± 1 PLC ± 2 PLC ± 3 PLC ± 4 PLC ± ANGLES/WINKEL ± FINISH/OBERFLÄCHE/FARBE		PRODUCT SPEC 108-18701	SIZE A2		
MATERIAL		APPLICATION SPEC 114-18488-1	CAGE CODE 00779	DRAWING NO. ZEICHNUNGS-NR. C-1394461	RESTRICTED TO NUR FUER -
		WEIGHT GEWICHT -	SCALE MASSSTAB 2:1		SHEET BLATT 3
		Customer Drawing		REV. M1	OF VON 3