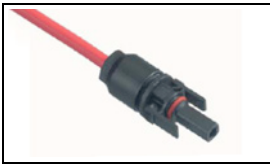


6-1394462-3 Product Details

[Share](#) [Print](#) [Email](#)



6-1394462-3

TE Internal Number: 6-1394462-3

 Active

 [View 3D PDF](#)

SOLARLOK Connector System

 Always EU RoHS/ELV Compliant (Statement of Compliance)

Product Highlights:

- Connector
- Keying = Plus
- Insulation Diameter = 4.50 - 6.00 [.177 - .237] mm [in]
- Type of Connector = Cable Coupler
- Female

[View all Features](#)

Quick Links

- [Pricing & Availability](#)
- [Search for Tooling](#)
- [Product Feature Selector](#)
- [Contact Us About This Product](#)

[Add to My Part List](#) [Request Sample](#) [Find Similar Products](#) [Buy Product](#)

Documentation & Additional Information

Product Drawings:

- [PHOTOVOLTAIK CONNECTOR 1 POS. PHOTOVOLTAIK STECKVERB... \(PDF, English\)](#)

Catalog Pages/Data Sheets:

- [AMERICAS_VERSION_SOLARLOK_INSTALLATION_MANUAL_2-1773... \(PDF, English\)](#)
- [CONNECTIVITY_SYSTEMS_FOR_PV_INSTALLERS_3-1773458-6 \(PDF, English\)](#)
- [SOLARLOK_CONNECTIVITY_SYSTEMS_FOR_PV_MANUFACTURERS_3... \(PDF, English\)](#)

Product Specifications:

- None Available

Application Specifications:

- [Application Specification \(PDF, English\)](#)

Instruction Sheets:

- None Available

CAD Files: [\(CAD Format & Compression Information\)](#)

- [2D Drawing \(DXF, Version L\)](#)
- [3D Model \(IGES, Version L\)](#)
- [3D Model \(STEP, Version L\)](#)

[List all Documents](#)

Related Products:

- [Tooling](#)

Product Features (Please use the Product Drawing for all design activity)

Product Type Features:

- Product Type = Connector
- Type of Connector = Cable Coupler
- Gender = Female
- Wire Size (mm² [AWG]) = 6.0² [10]

Dimensions:

- Insulation Diameter (mm [in]) = 4.50 - 6.00 [.177 - .237]

Contact Features:

- Contact Base Material = Copper Zinc
- Contact Finish = Silver Plate

Housing Features:

- Housing Material = PPO
- Housing Color = Black

Industry Standards:

- [RoHS/ELV Compliance](#) = RoHS compliant, ELV compliant
- [Lead Free Solder Processes](#) = Not relevant for lead free process
- [RoHS/ELV Compliance History](#) = Always was RoHS compliant

Identification Marking:

- Keying = Plus

Packaging Features:

- Packaging Quantity = 100

Other:

- Brand = TE Connectivity

Corporate Information

- [About TE](#)
- [Investors](#)
- [News Room](#)
- [Supplier Portal](#)
- [Careers](#)
- [Terms & Conditions](#)

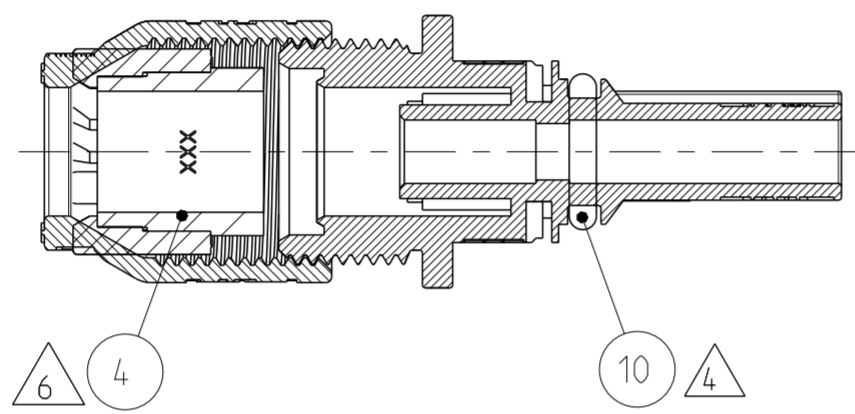
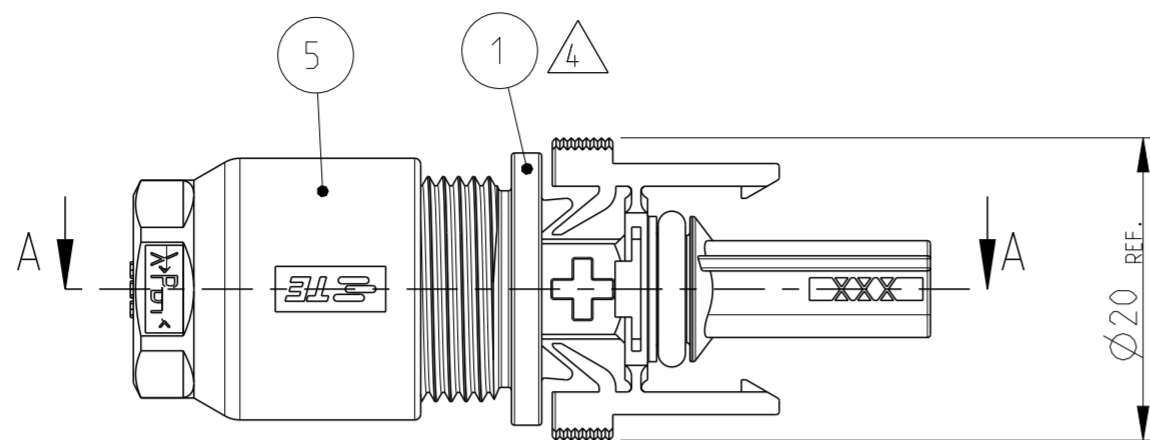
Quick Links

- [Distributor Inventory](#)
- [Product Cross Reference](#)
- [Documents & Drawings](#)
- [Product Compliance Support Center](#)
- [Site Map](#)

Customer Support

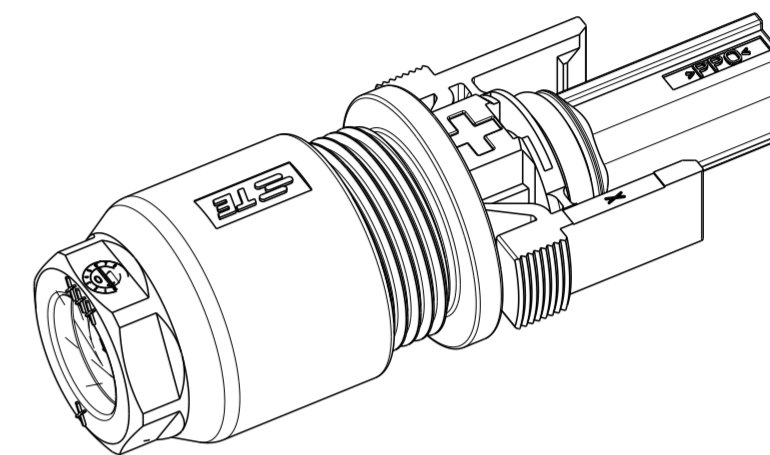
- [Email or Chat With Us](#)
- [Find a Phone Number](#)
- [Knowledge Base](#)
- [Manage Your Account](#)

LOC	DIST	REVISIONS					
A1	-	P	LTR	DESCRIPTION	DATE	DWN	APVD
PROJEKT NR.: EGLPC00034		M1		PINCH RING SEAL-INMOLDED. ASSY CHANGED TO GEN. 4	06DEC2012	V.P	T.J

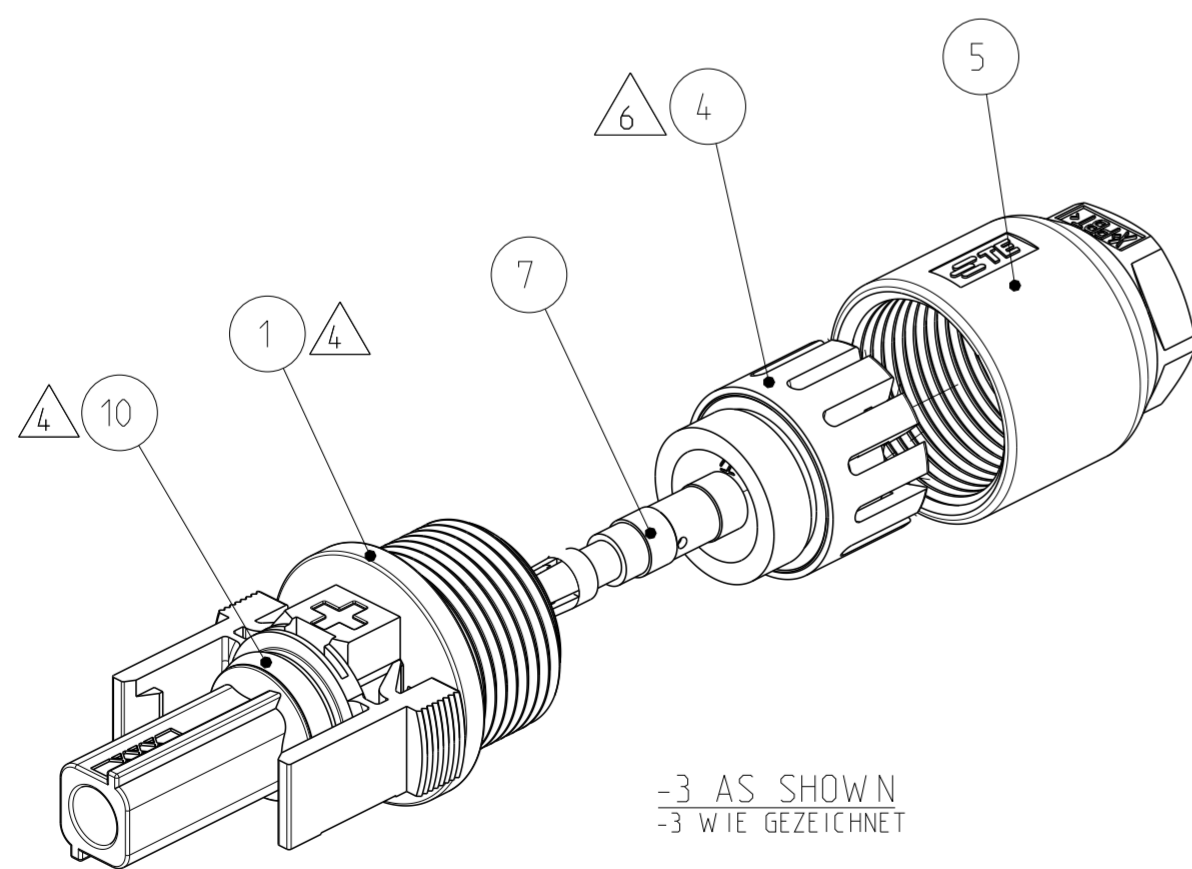


SECTION A-A
 SCHNITT A-A

-3 PREASSEMBLED AS SHOWN
 -3 VORASSEMBLIERT WIE GEZEICHNET



SCALE 2:1 / M 2:1



-3 AS SHOWN
 -3 WIE GEZEICHNET

ITEM-NO.	QUANTITY	DESCRIPTION	UNIT	ORDER-NO.	BESTELL-NR.	SURFACE	MATERIAL
POS.	STÜCK	BENENNUNG				OBERFLÄCHE	
						COLOUR/FARBE	
14	1	INSTRUCTION SHEET VERARBEITUNGSANWEISUNG					
13	1	PLASTIC BAG KUNSTSTOFF-BEUTEL					PE-LD
12	2	ZIP LOCK BAG MINIGRIP-BEUTEL					PE-LD
11	1	LABEL ETIKETT					POLYESTER
10	1	O-RING 6.7x1.8					SILICONE
9	1	O-RING 6.7x1.8					SILICONE
8	1	SOCKET CONTACT ASSY HVT. 6mm ² / 10AWG					CuZn / X10CrNi 18 8
7	1	SOCKET CONTACT ASSY HVT. 4mm ² / 12AWG					CuZn / X10CrNi 18 8
6	1	SOCKET CONTACT ASSY HVT. 2.5mm ²					CuZn / X10CrNi 18 8
5	1	CABLE SCREW JOINT KABELVERSCHRÄUBUNG					PBT
4	1	PINCH RING SEAL-INMOLDED. ASSY					PA66 / LSR
3	1	PINCH RING SEAL. ASSY					POM / EPDM-PP
2	1	SOCKET HOUSING MINUS					PPE-PS
1	1	SOCKET HOUSING PLUS					PPE-PS

THIS DRAWING IS A CONTROLLED DOCUMENT.

DWN: E. WERNER 25-JAN-02
 CHK: H. SCHERER 25-JAN-02
 APVD: G. FELDMAYER 25-JAN-02

DIMENSIONS: MASSEINHEITEN: (MM)

TOLERANCES UNLESS OTHERWISE SPECIFIED: ALLGEMEINTOLERANZEN

0 PLC ±
 1 PLC ±
 2 PLC ±
 3 PLC ±
 4 PLC ±

ANGLES/WINKEL ±
 FINISH/OBERFLÄCHE/FARBE

PRODUCT SPEC: 108-18701
 APPLICATION SPEC: 114-18488-1

WEIGHT: -
 CUSTOMER DRAWING

NAME: PHOTOVOLTAIK CONNECTOR 1 POS.
 PHOTOVOLTAIK STECKVERBINDER 1 POL.

SIZE: A2
 CAGE CODE: 00779
 DRAWING NO: C-1394462
 SCALE: 2:1

RESTRICTED TO NUR FÜR: -

SHEET: 1 OF 3
 REV: M1

LOC	DIST	REVISIONS ÄNDERUNGEN			
P	LTR	DESCRIPTION BESCHREIBUNG	DATE	DWN	APVD
A1	-				
PROJEKT NR.: EGLPC00034		SEE SHEET 1	-	-	-

1 PACKAGING INSTRUCTION: 100 PIECES SOCKET HOUSINGS (ITEM NO. 1 OR 2) AND PINCH RING SEAL, ASSY (ITEM NO. 3) OR PINCH RING SEAL INMOLDED ASSY (ITEM NO. 4) PREASSEMBLED WITH CABLE SCREW JOINT (ITEM NO. 5).
 PREASSEMBLED PARTS PACKAGED IN ESD PLASTIC BAG (ITEM NO. 13).
 ESD PLASTIC BAG (ITEM NO. 13) PROVIDED WITH LABEL AND LABEL MARKED WITH PART NUMBER, QUANTITY AND DESCRIPTION.

SOCKET CONTACT ASSY'S (ITEM NO. 6, 7 OR 8) PACKAGED ACCORDING TO 2 .

2 PACKAGING INSTRUCTION: 100 PIECES OF EACH PART PACKAGED IN ZIP LOCK BAG (ITEM NO. 12).
 ZIP LOCK BAG (ITEM NO. 12) PROVIDED WITH LABEL AND LABEL MARKED WITH PART NUMBER, QUANTITY AND DESCRIPTION.

3 PACKAGING UNIT: ALL COMPONENTS OF EACH DASH-NUMBER PACKAGED ACCORDING TO 1 AND 2 .
 PACKAGED IN CORRUGATED SHIPPING BOX.
 PUT INSIDE ON TOP CORRUGATED SHIPPING BOX INSTRUCTION SHEET (ITEM NO. 14).
 CORRUGATED SHIPPING BOX PROVIDED WITH LABEL AND LABEL MARKED WITH PART NUMBER, QUANTITY AND DESCRIPTION.

4 O-RINGS (ITEM NO. 9 OR 10) ASSEMBLED ON SOCKET HOUSING (ITEM NO. 1 OR 2)

5 FOR CABLE DIAMETER 4.5mm TO 6.9mm

6 FOR CABLE DIAMETER 5.5mm TO 7.8mm

7 TIGHTENING TORQUE SEE APPLICATION SPECIFICATION 114-18488-1

8 USE ONLY SOLAR CABLE TYPE: OKONITE USE-2

9 LABEL (ITEM NO. 11), ZIP LOCK BAG (ITEM NO. 12), ESD PLASTIC BAG (ITEM NO. 13), AND INSTRUCTION SHEET (ITEM NO. 14) NOT SHOWN

1 VERPACKUNGSANWEISUNG: 100 STÜCK BUCHSENGEHÄUSE (POS. 1 ODER 2) UND KLEMMKORB DICHTUNG, ASSY (POS. 3) BZW. KLEMMKORB DICHTUNG UMSPRITZT, ASSY (POS. 4) VORASSEMBLIERT MIT KABELVERSCHRAUBUNG (POS. 5).
 VORASSEMBLIERTE TEILE VERPACKT IN ESD KUNSTSTOFF-BEUTEL (POS. 13).
 ESD KUNSTSTOFF-BEUTEL (ITEM NO. 13) MIT ETIKETT VERSEHEN UND ETIKETT MIT TEILENUMMER, STÜCKZAHL UND BEZEICHNUNG BESCHRIFTET.

BUCHSENKONTAKT ASSY'S (POS. 6, 7, ODER 8) VERPACKT GEMÄSS 2 .

2 VERPACKUNGSANWEISUNG: 100 STÜCK VON JEDEM TEIL IM MINIGRIP-BEUTEL (POS. 12) VERPACKT.
 MINIGRIP-BEUTEL (ITEM NO. 12) MIT ETIKETT VERSEHEN UND ETIKETT MIT TEILENUMMER, STÜCKZAHL UND BEZEICHNUNG BESCHRIFTET.

3 VERPACKUNGSEINHEIT: ALLE KOMPONENTEN EINER STRICHVARIANTE VERPACKT GEMÄSS 1 UND 2 .
 IN VERSANDKARTON VERPACKT.
 VERSANDKARTON VERARBEITUNGSANWEISUNG (POS. 14) OBENAUF GELEGT.
 VERSANDKARTON MIT ETIKETT VERSEHEN UND ETIKETT MIT TEILENUMMER, STÜCKZAHL UND BEZEICHNUNG BESCHRIFTET.

4 O-RINGE (POS. 9 ODER 10) AUF BUCHSENSTECKER (POS. 1 ODER 2) MONTIERT


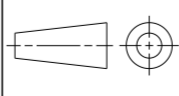
5 FÜR LEITUNGSDURCHMESSER 4.5mm BIS 6.9mm

6 FÜR LEITUNGSDURCHMESSER 5.5mm BIS 7.8mm

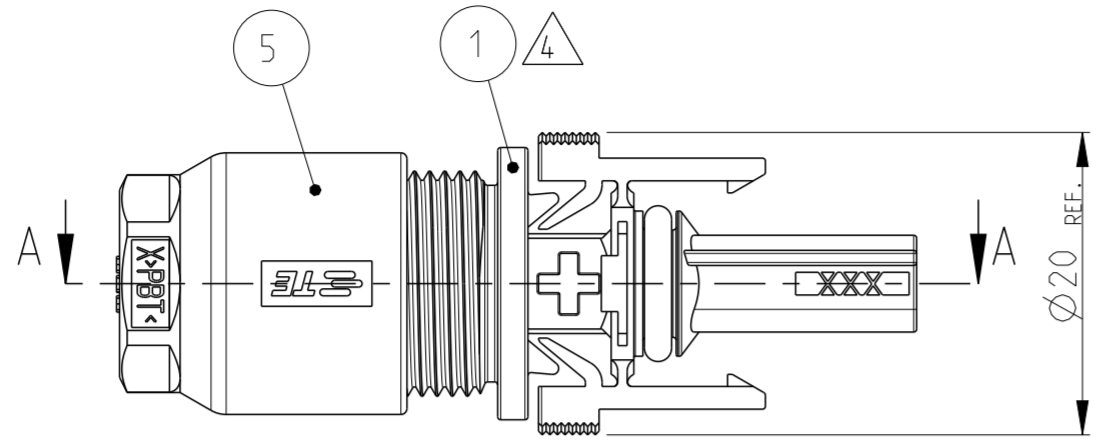
7 ANZUGSDREHMOMENT SIEHE VERARBEITUNGSSPEZIFIKATION 114-18488-1

8 NUR SOLARKABEL TYP: OKONITE USE-2 VERWENDEN

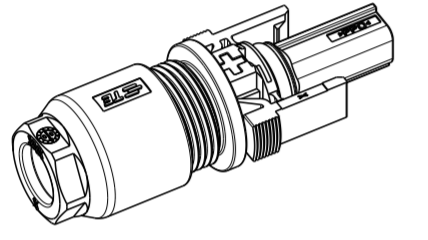
9 ETIKETT (POS. 11), MINIGRIP-BEUTEL (POS. 12), KUNSTSTOFF-BEUTEL (POS. 13), UND VERARBEITUNGSANWEISUNG (POS. 14) NICHT DARGESTELLT

THIS DRAWING IS A CONTROLLED DOCUMENT.		DWN E. WERNER 25-JAN-02	 TE Connectivity	
DIMENSIONS: MASSEINHEITEN: (MM)		CHK H. SCHERER 25-JAN-02		
TOLERANCES UNLESS OTHERWISE SPECIFIED: ALLGEMEINTOLERANZEN		APVD G. FELDMEIER 25-JAN-02	NAME PHOTOVOLTAIK CONNECTOR 1 POS. PHOTOVOLTAIK STECKVERBINDER 1 POL.	
		PRODUCT SPEC 108-18701	RESTRICTED TO NUR FÜR	
MATERIAL		APPLICATION SPEC 114-18488-1	SIZE A2	CAGE CODE 00779
FINISH/OBERFLÄCHE/FARBE		WEIGHT -	DRAWING NO. ZEICHNUNGS-NR. 1394462	SCALE MASSSTAB 2:1
		Customer Drawing	/KUNDENZEICHNUNG	SHEET BLATT 2 OF VON 3
				REV. M1

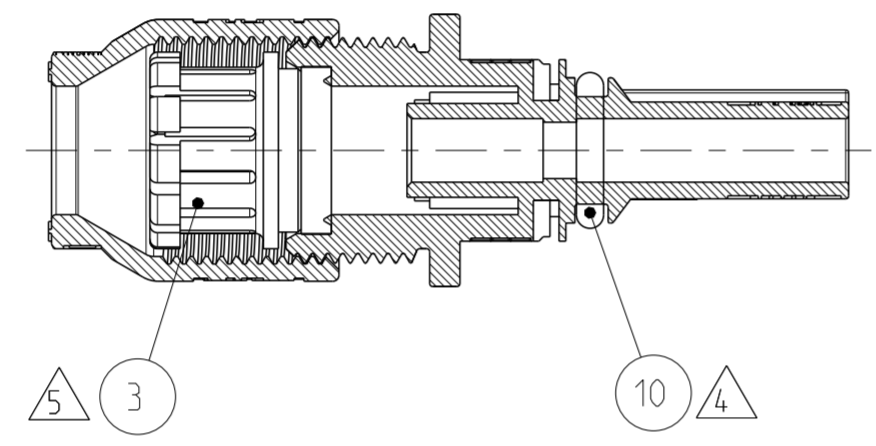
LOC	DIST	REVISIONS					
A1	-	P	LTR	DESCRIPTION	DATE	DWN	APVD
PROJEKT NR.: EGPLC00034		-	-	SEE SHEET 1	-	-	-



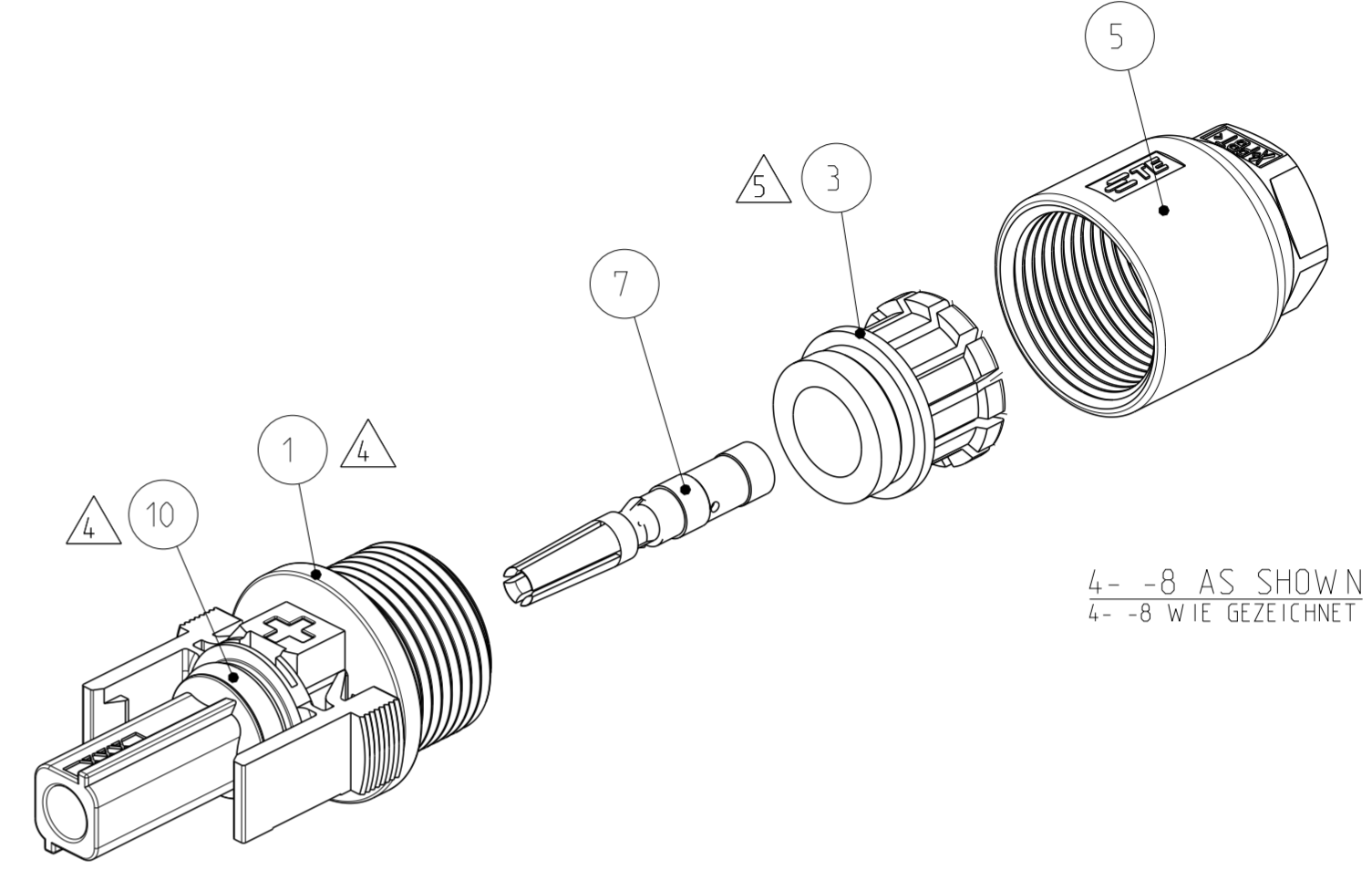
SECTION A-A
 SCHNITT A-A



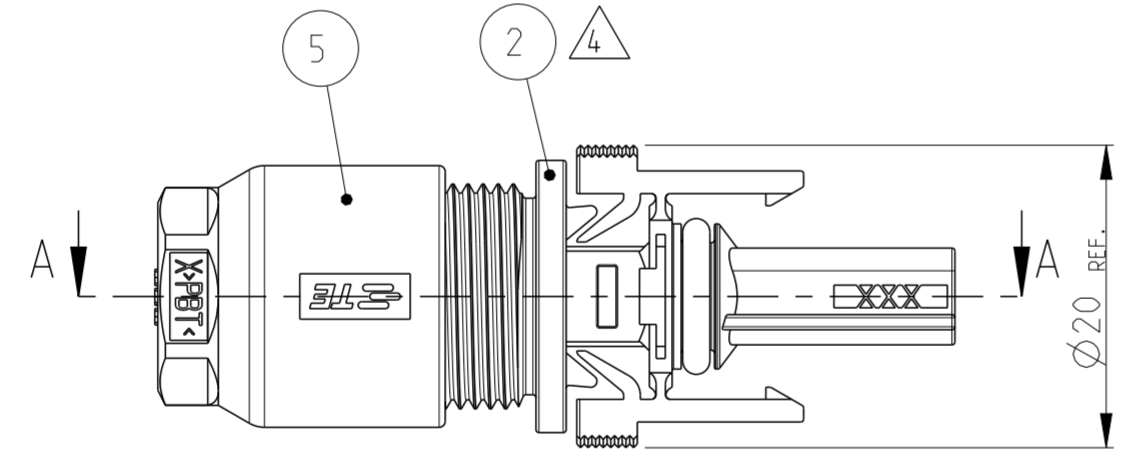
SCALE 1:1 / M 1:1



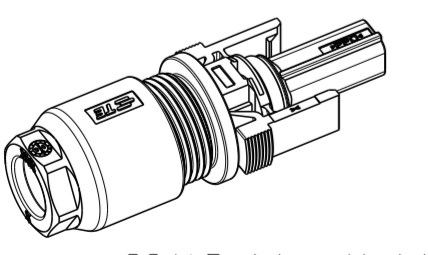
4- -8 PREASSEMBLED AS SHOWN
 4- -8 VORASSEMBLIERT WIE GEZEICHNET



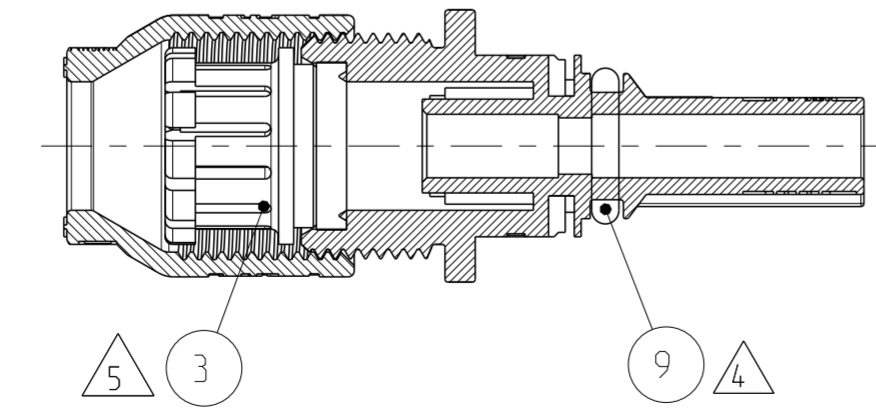
4- -8 AS SHOWN
 4- -8 WIE GEZEICHNET



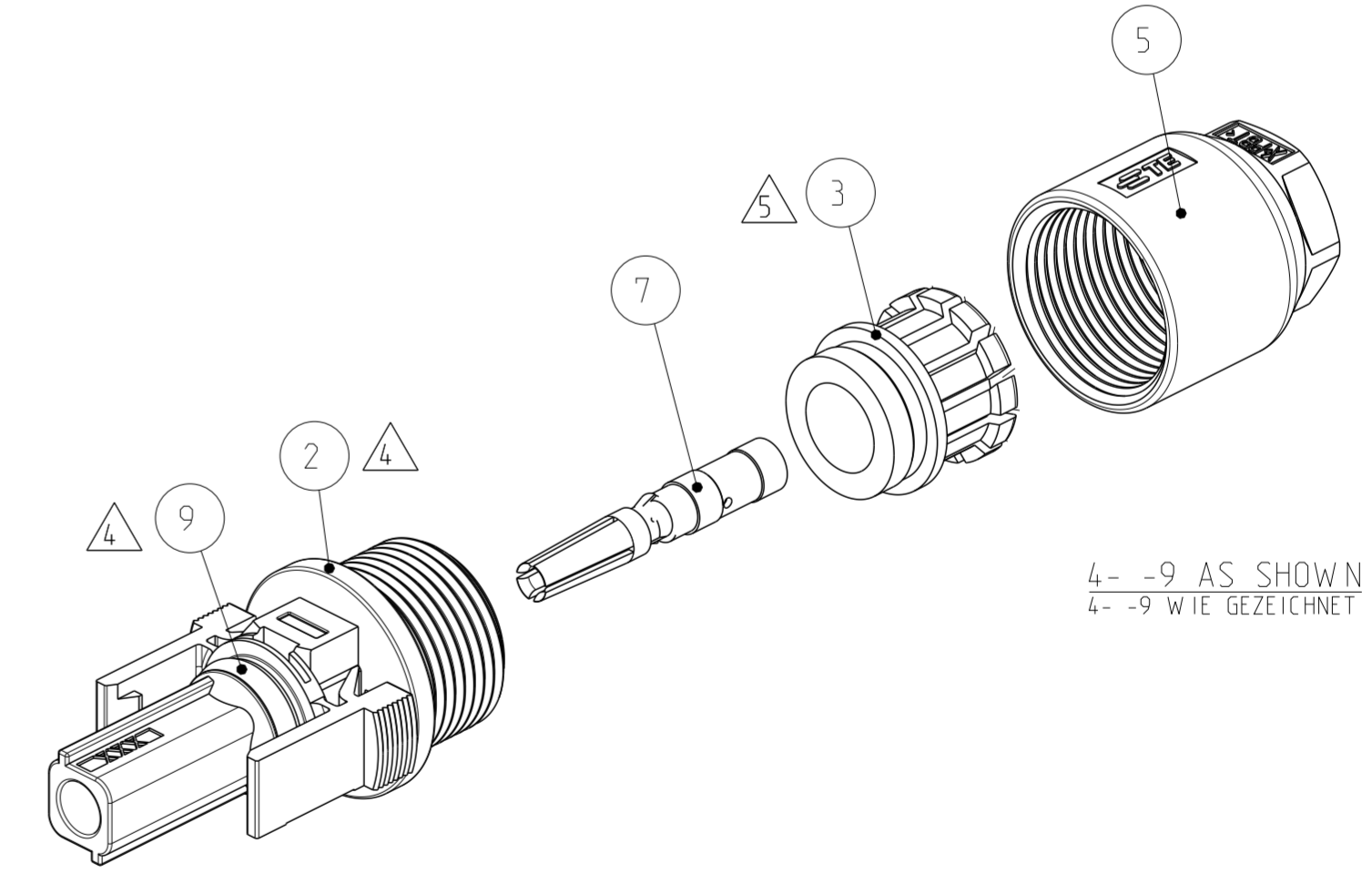
SECTION A-A
 SCHNITT A-A



SCALE 1:1 / M 1:1



4- -9 PREASSEMBLED AS SHOWN
 4- -9 VORASSEMBLIERT WIE GEZEICHNET



4- -9 AS SHOWN
 4- -9 WIE GEZEICHNET

THIS DRAWING IS A CONTROLLED DOCUMENT.		DWN E. WERNER 25-JAN-02	TE Connectivity	
DIMENSIONS: MASSEINHEITEN: (MM)		CHK H. SCHERER 25-JAN-02		
TOLERANCES UNLESS OTHERWISE SPECIFIED: ALLGEMEINTOLERANZEN		APVD G. FELDMAYER 25-JAN-02	NAME PHOTOVOLTAIK CONNECTOR 1 POS. PHOTOVOLTAIK STECKVERBINDER 1 POL.	
0 PLC ± 1 PLC ± 2 PLC ± 3 PLC ± 4 PLC ± ANGLES/WINKEL ± FINISH/OBERFLÄCHE/FARBE		PRODUCT SPEC 108-18701	SIZE A2	
MATERIAL		APPLICATION SPEC 114-18488-1	CAGE CODE 00779	DRAWING NO. 1394462
		WEIGHT -	RESTRICTED TO NUR FUER -	REV. M1
		Customer Drawing	/KUNDENZEICHNUNG	SCALE MASSSTAB 2:1
			SHEET BLATT 3	OF VON 3