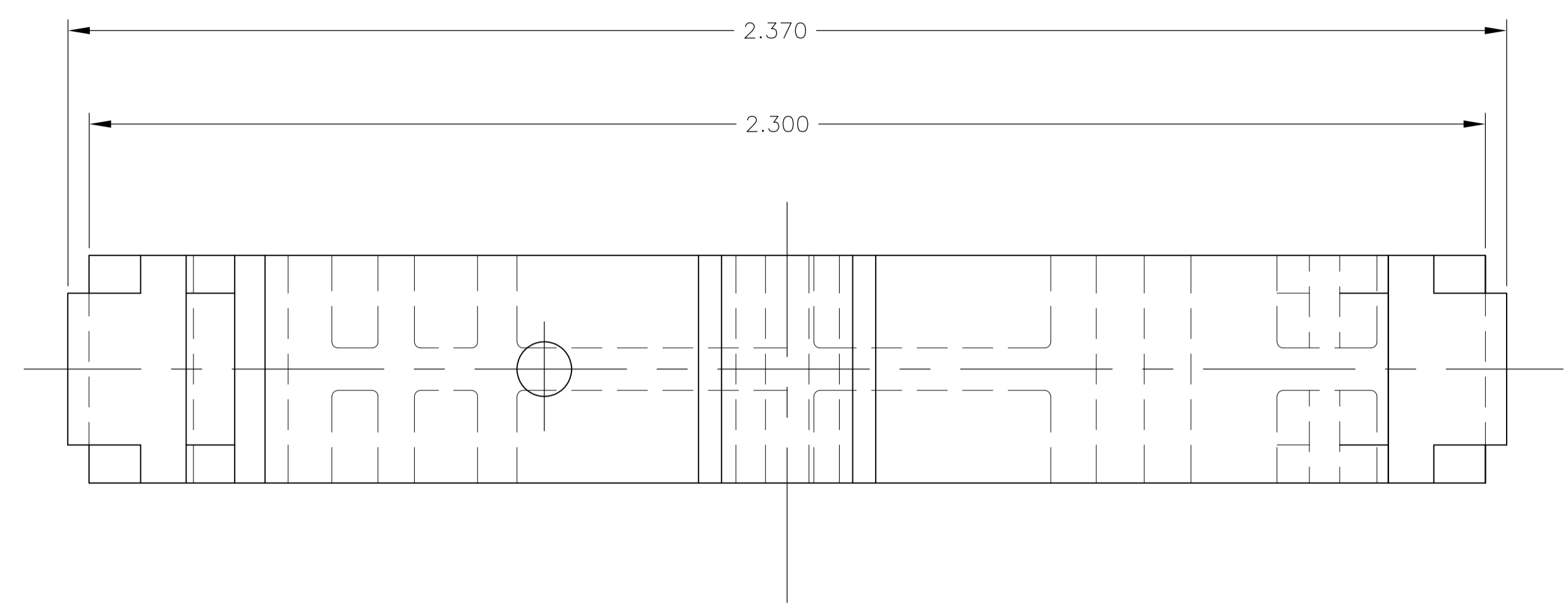
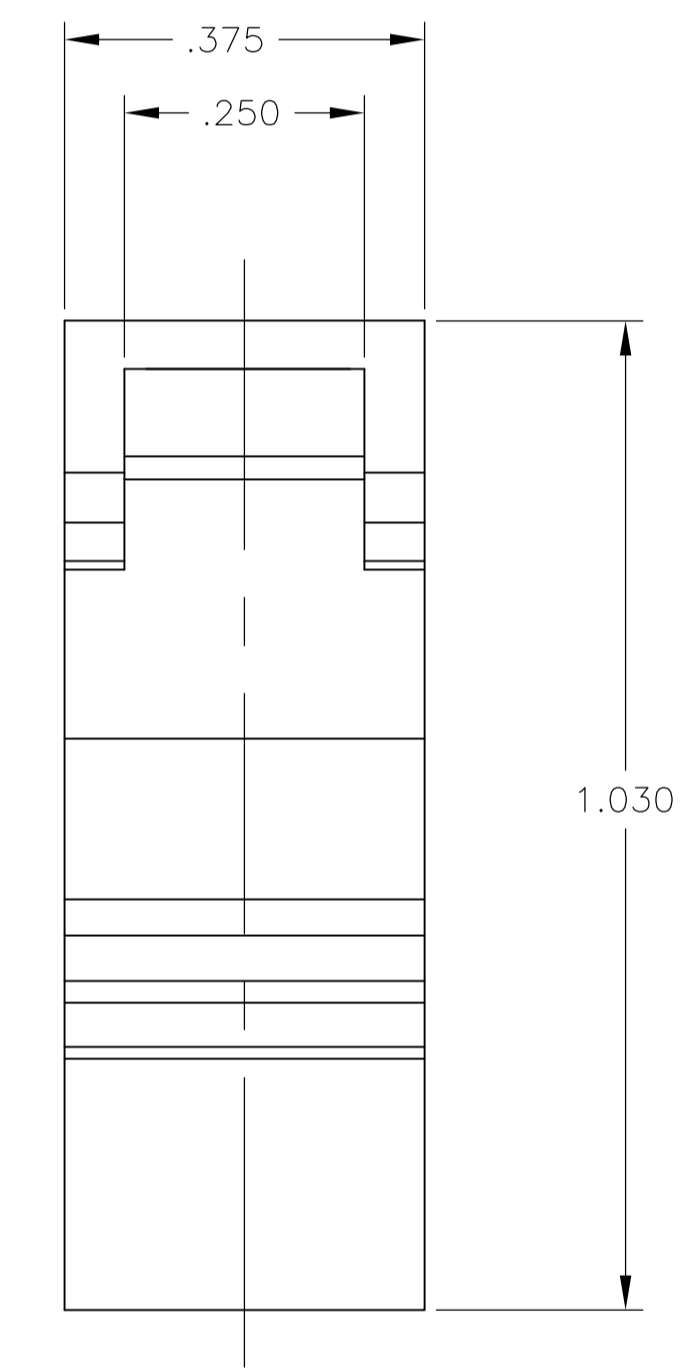
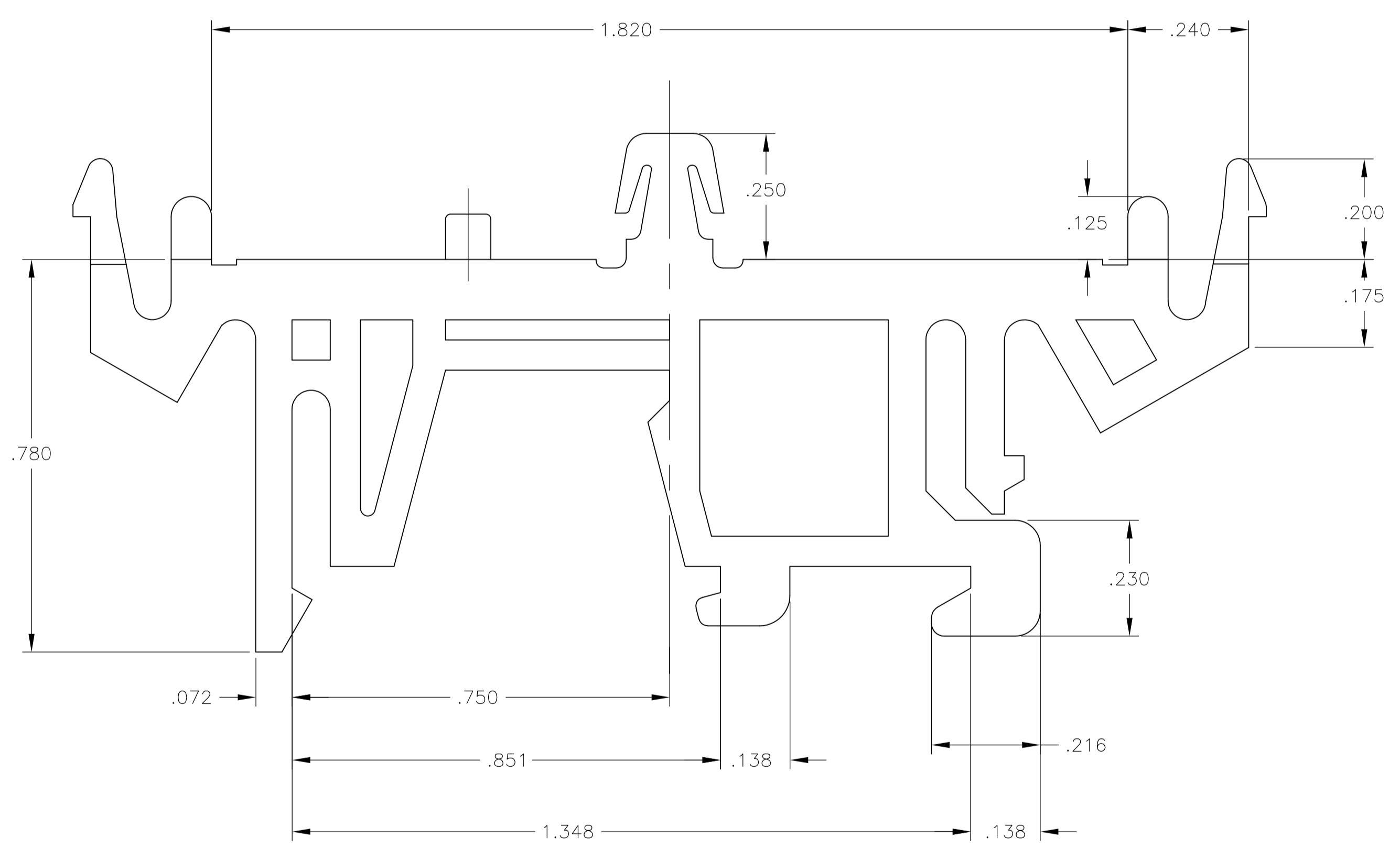


LOC		DIST		REVISIONS			
P	LTR	DESCRIPTION	DATE	DMN	APVD		
A		REVISED PER ECO-08-029264	24NOV08	HMR	SM		



1 MATERIAL: UL94V-0 POLYCARBONATE
 GE LEXAN 940-MED, STANDARD GRAY CHROMA±82088
 MAXIMUM ALLOWABLE REGRIND - 25 PERCENT



THIS DRAWING IS A CONTROLLED DOCUMENT.		DIN 24NOV2008	Tyco Electronics Corporation Harrisburg, PA 17105-3608	
DIMENSIONS: INCHES		CHK RAGHAVENDRA 24NOV2008	NAME TKAD=TRK ADPT .640054900	
TOLERANCES UNLESS OTHERWISE SPECIFIED:		APVD MACE SAM 24NOV2008	RESTRICTED TO	
0 PL	± .005	PRODUCT SPEC	SIZE A1	
1 PL	± .005	APPLICATION SPEC	CAGE CODE 6-1437661-4	
2 PL	± .005	WEIGHT	SCALE 1:5	
3 PL	± .005	CUSTOMER DRAWING	SHEET 1 OF 1	
4 PL	± .005		REV A	
ANGLES	± .005			
FINISH	-			