

THIS DRAWING IS UNPUBLISHED.

RELEASED FOR PUBLICATION

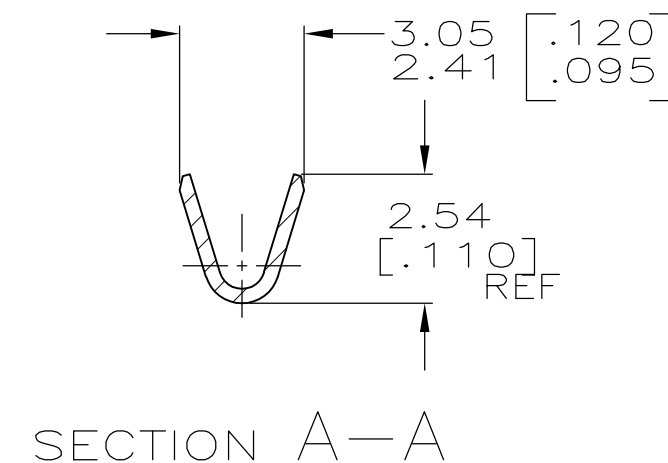
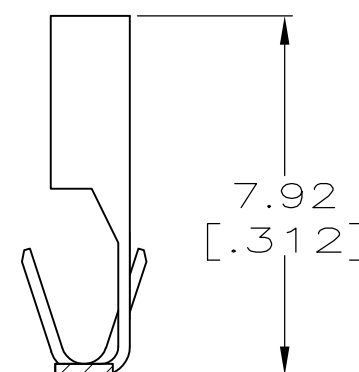
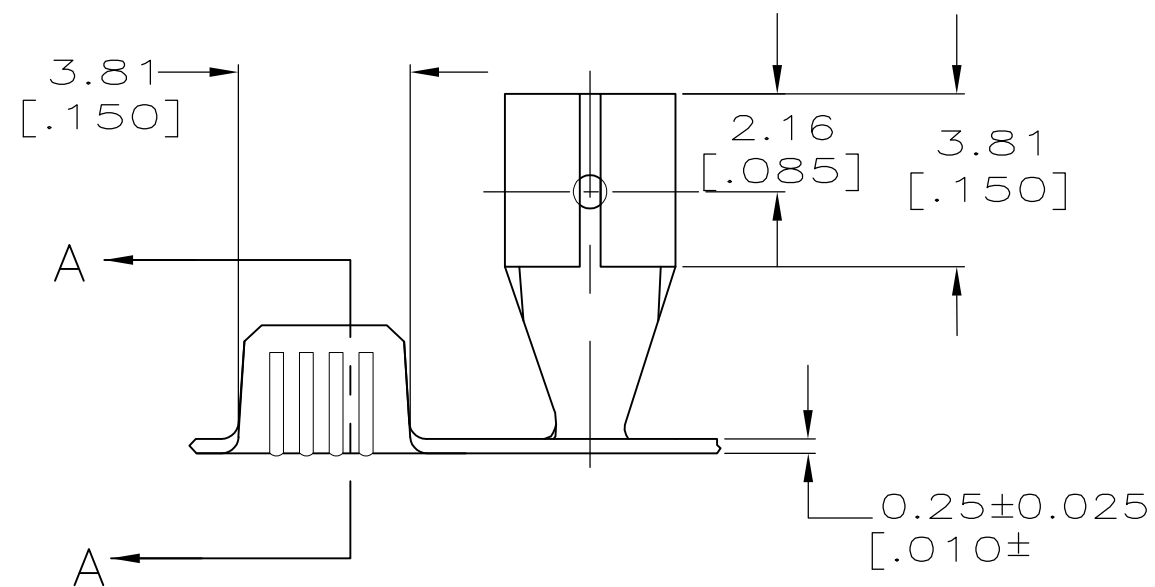
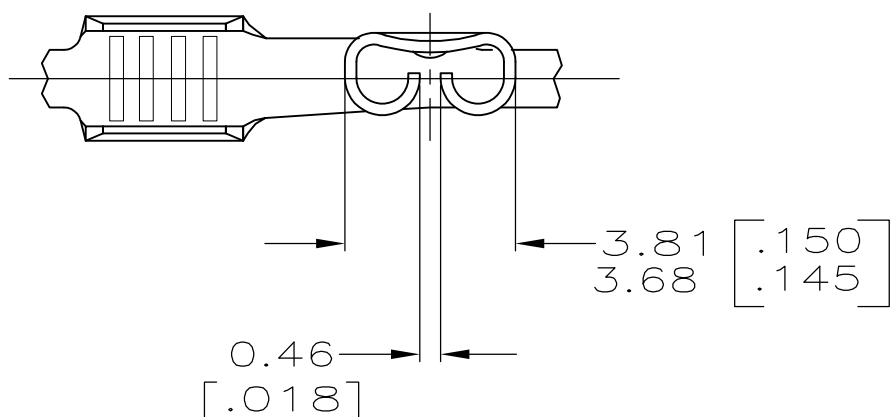
ALL RIGHTS RESERVED.

© COPYRIGHT - By -

REVISIONS

P	LTR	DESCRIPTION	DATE	DWN	APVD
	J1	REVISED PER ECO-16-013210	08SEP16	RS	DH

- 1 CONTINUOUS STRIP ON REELS.
- 2 REVERSE REELING OF -1.

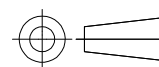


STRIP LENGTH	TYPE	WIDTH	HEIGHT	WIRE
5.59 [.220]	F	1.78 [.070]	1.42 [.056]	16
			1.19 [.047]	18
			1.04 [.041]	20
			0.96 [.038]	22
			±0.051 [.002]	
			±0.38 [.015]	

WIRE BARREL CRIMP

THIS DRAWING IS A CONTROLLED DOCUMENT.

DIMENSIONS:
mm [INCHES]



TOLERANCES UNLESS OTHERWISE SPECIFIED:

- 0 PLC ± -
- 1 PLC ± -
- 2 PLC ± 0.38 [.015]
- 3 PLC ± -
- 4 PLC ± -
- ANGLES ± -

MATERIAL

BRASS

FINISH

PRE-TIN

[#22-#16] AWG	0.51±0.025 [.020±.001]	2	61549-2
[#22-#16] AWG	0.51±0.025 [.020±.001]		61549-1
WIRE SIZE	MATING TAB THICKNESS		PART NO.

DWN JR RUTH 4/18/96	TE Connectivity			
CHK MS FEHER 4/18/96				
APVD P DESANTIS 4/18/96				
PRODUCT SPEC				
APPLICATION SPEC	NAME RECEPTACLE, FASTON, 2.79 [.110] SERIES			
114-2028	SIZE	CAGE CODE	DRAWING NO	RESTRICTED TO
WEIGHT 0.000000	A3	00779	C-61549	-
CUSTOMER DRAWING		SCALE 6:1	SHEET 1 OF 1	REV J1