

Distributed by:

JAMECO[®]
ELECTRONICS

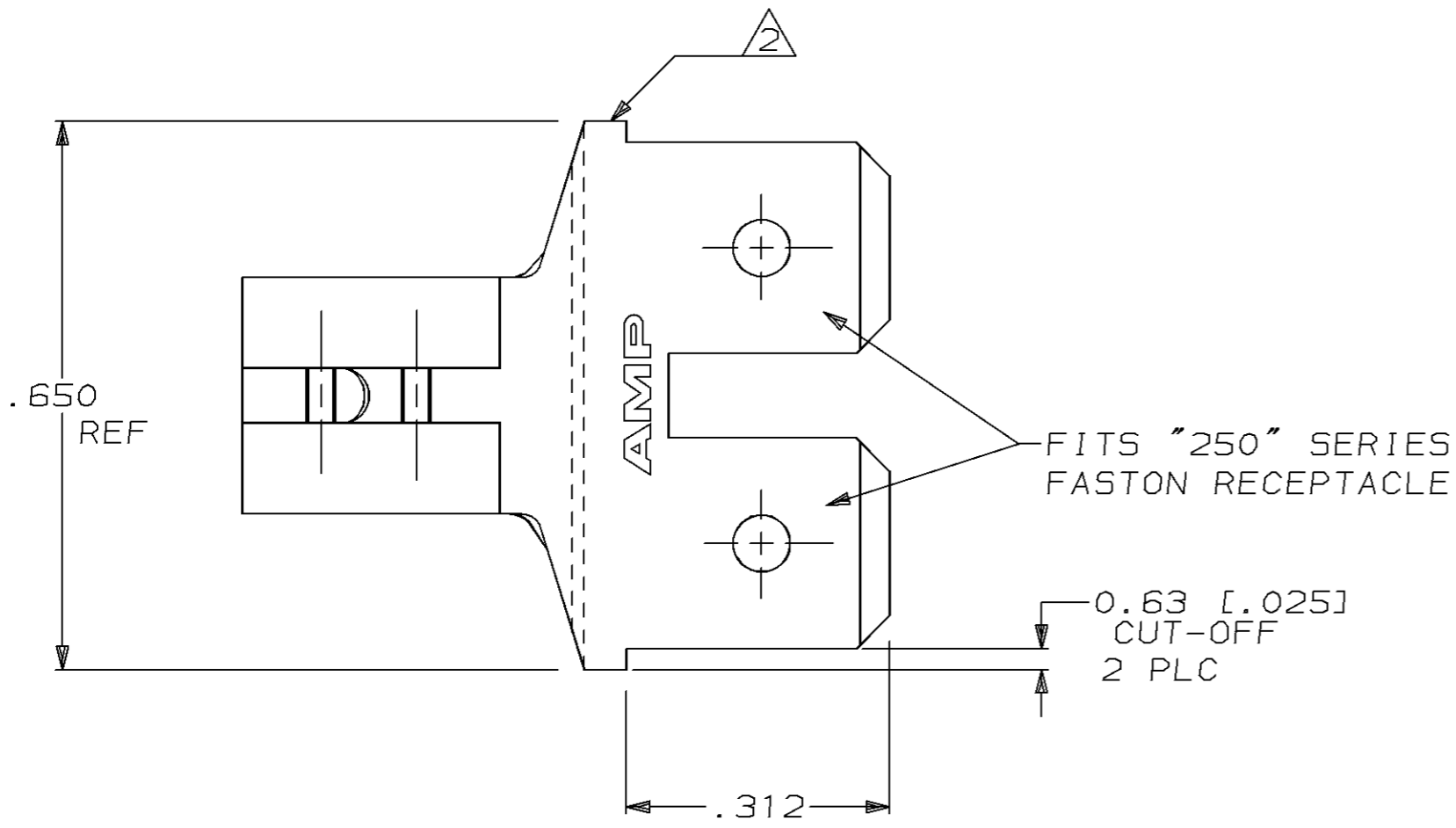
www.Jameco.com ♦ 1-800-831-4242

The content and copyrights of the attached
material are the property of its owner.

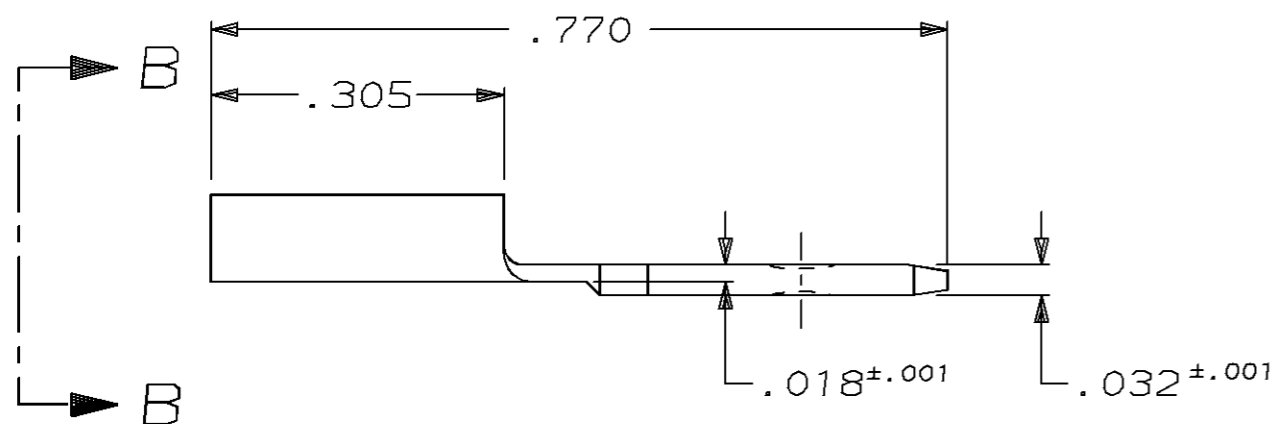
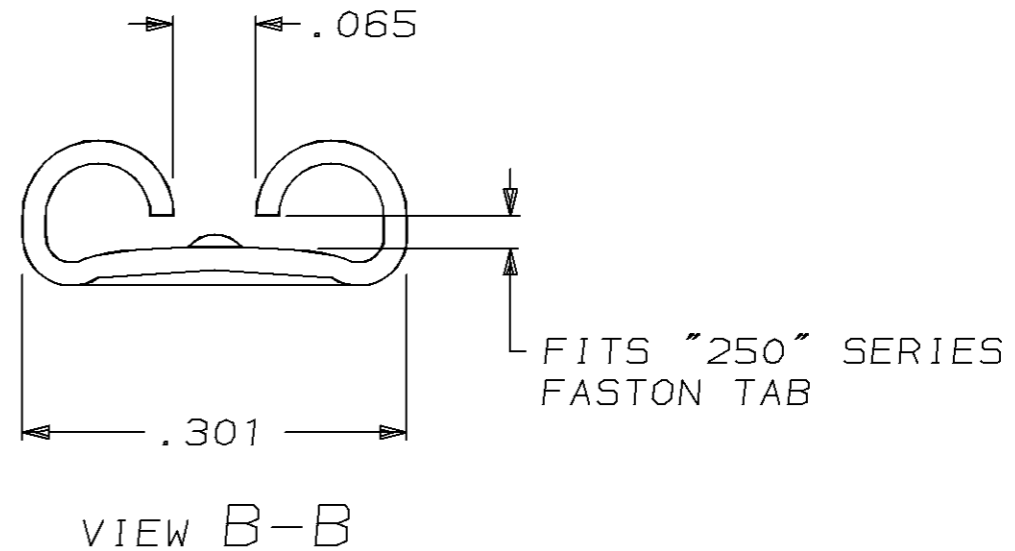
Jameco Part Number 755702

THIS DRAWING IS UNPUBLISHED. RELEASED FOR PUBLICATION, 19
 © COPYRIGHT 19 BY AMP INCORPORATED. ALL INTERNATIONAL RIGHTS RESERVED.

LOC	DIST	P	F	ZONE	LTR	REVISIONS	DATE	APPD
AF	50				F	REV PER 0L10-0012-97	1/16/97	JR



1 SUPPLIED IN LOOSE PIECE.
 2 BARE EDGES PERMITTED.



.032	TIN PL .000080 MIN THK	#4H PREMILLED BRASS	61765-2
	NONE		61765-1
MATING TAB THK ±.001	FINISH	MATERIAL	PART NO
DO NOT SCALE PRINT. UNLESS SPECIFIED DIMENSIONS IN INCHES TOLERANCES ON: 2 PLC DEC ± - 3 PLC DEC ± .015 ANGLES ± -	DR 3/10/86 DK SCHRUM CHK 3/10/86 JR RUTH APPD 3/15/86 C MEYERS APPD 3/15/86 R KUZO PRODUCT SPEC -	AMP INCORPORATED Harrisburg, Pa. 17105	
MATERIAL SEE TABLE	APPLICATION SPEC -	NAME RECEPTACLE & TABS, FASTON, ADAPTER, "250" SERIES	
FINISH SEE TABLE	WEIGHT -	SIZE B	FSCM NO 00779
		SCALE 5:1	DRAWING NO 61765
			SHEET 1 OF 1