

Distributed by:

JAMECO[®]
ELECTRONICS

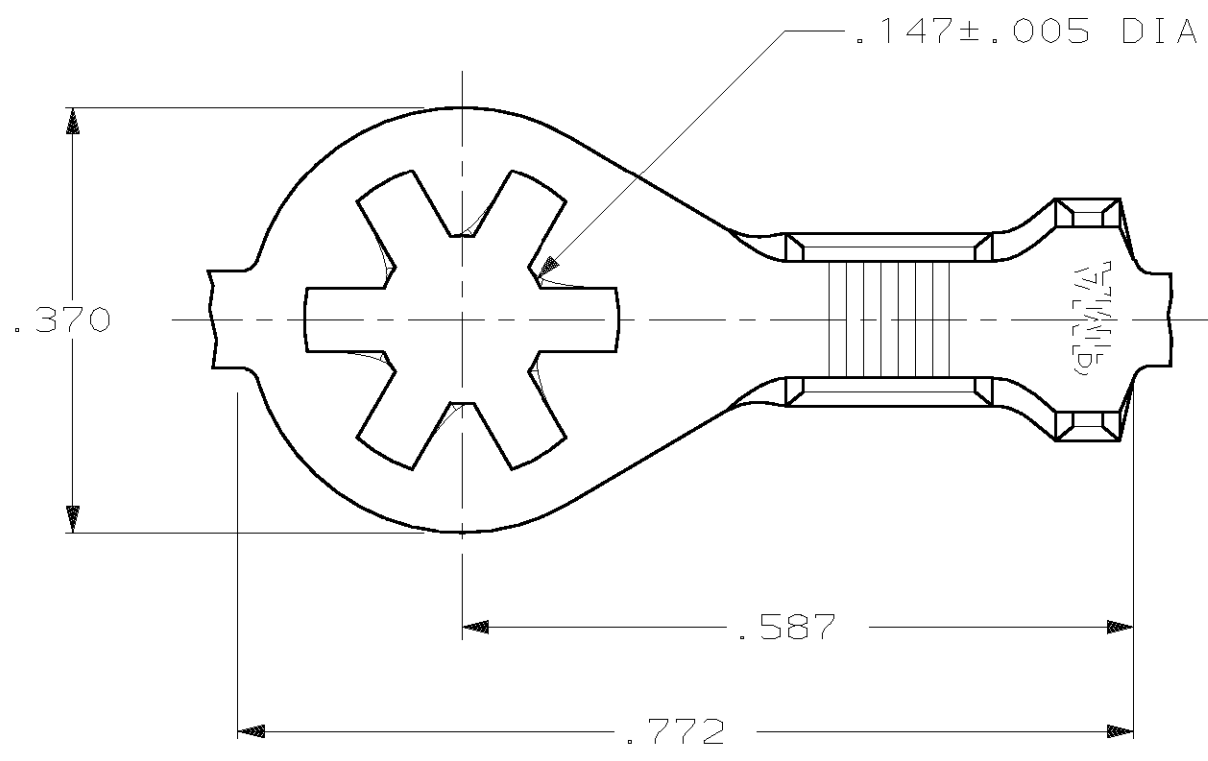
www.Jameco.com ♦ 1-800-831-4242

The content and copyrights of the attached
material are the property of its owner.

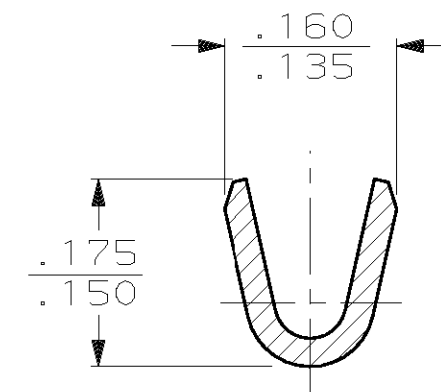
Jameco Part Number 963481

THIS DRAWING IS UNPUBLISHED. RELEASED FOR PUBLICATION ,19 .
 © COPYRIGHT 19 BY AMP INCORPORATED, HARRISBURG, PA. ALL INTERNATIONAL RIGHTS RESERVED. AMP PRODUCTS MAY BE COVERED BY U.S. AND FOREIGN PATENTS AND/OR PATENTS PENDING.

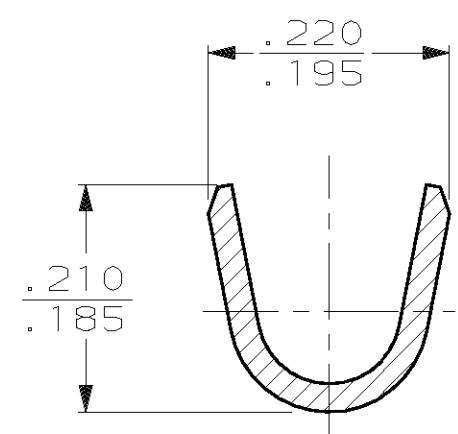
LOC	DIST	REVISIONS						
AF	50	P	F	ZONE	LTR	DESCRIPTION	DATE	APPROVED
					J	REV PER OG3A-0444-01	27JUL01	JR/DD



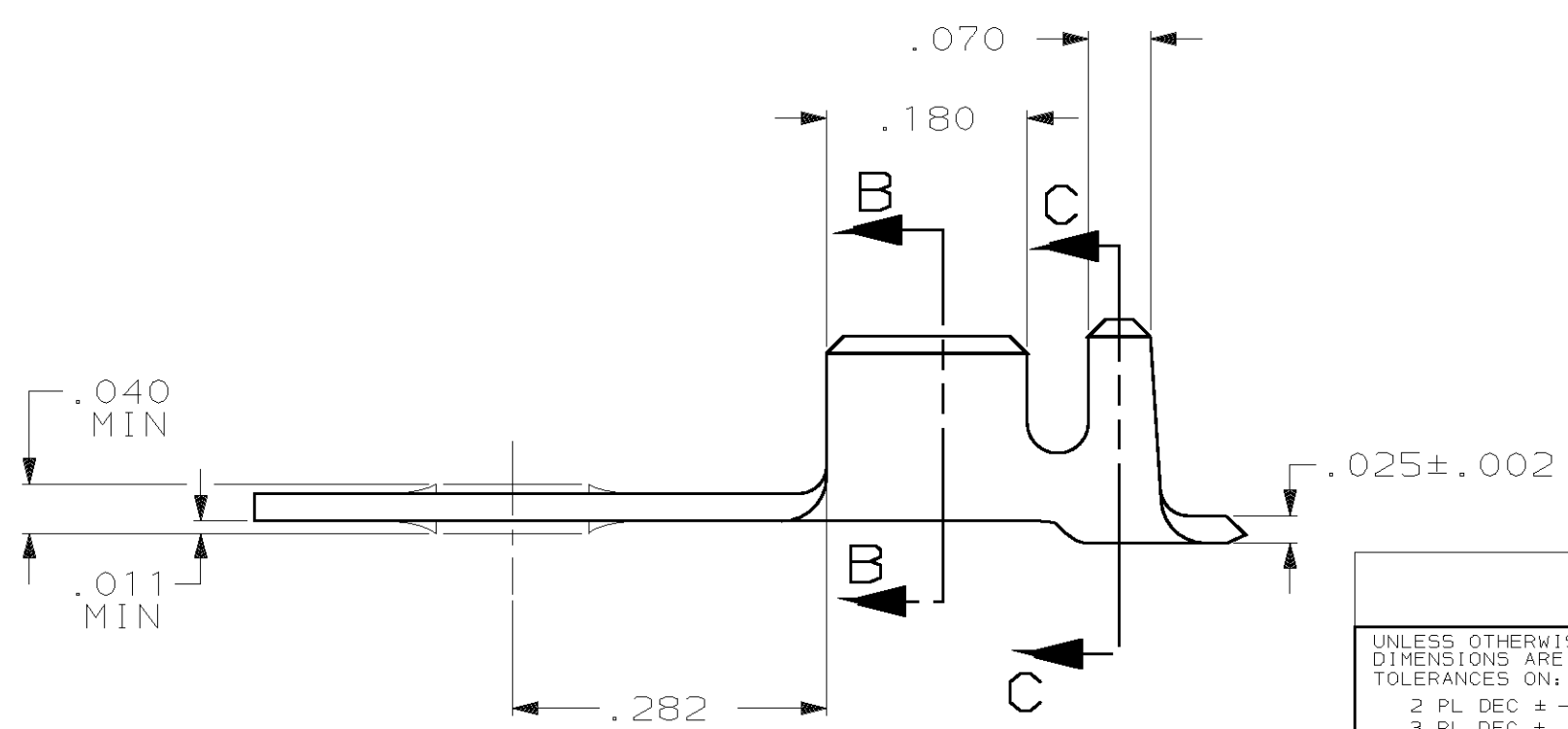
- 1 CONTINUOUS STRIP ON REELS
- 2 .000080 MIN TIN PLATE
- 3 .000150 MIN TIN PLATE
- 4 PRELIMINARY - NOT FOR PRODUCTION



SECTION B-B



SECTION C-C



	3	.105-.145	18-14	4	61793-4
	NICKEL PL	.105-.145	18-14	4	61793-2
	2	.105-.145	18-14		61793-1
FINISH		INSULATION RANGE	WIRE SIZE	PART NO	

UNLESS OTHERWISE SPECIFIED DIMENSIONS ARE IN INCHES TOLERANCES ON: 2 PL DEC ± - 3 PL DEC ± .015 ANGLES ± -	DR	5/15/87	AMP INCORPORATED Harrisburg, Pa. 17105			
	CHK	11/23/87				
MATERIAL	T2 STEEL	APPD	RP FRANTZ	12/2/87	NAME	RING
FINISH	SEE TABLE	APPD	TL SHUTTER	12/11/87	SIZE	B
		PRODUCT SPEC	-		FSCM NO	00779
		APPLICATION SPEC	-		DRAWING NO	61793
		WEIGHT	-		SCALE	6:1
					SHEET	1 OF 1