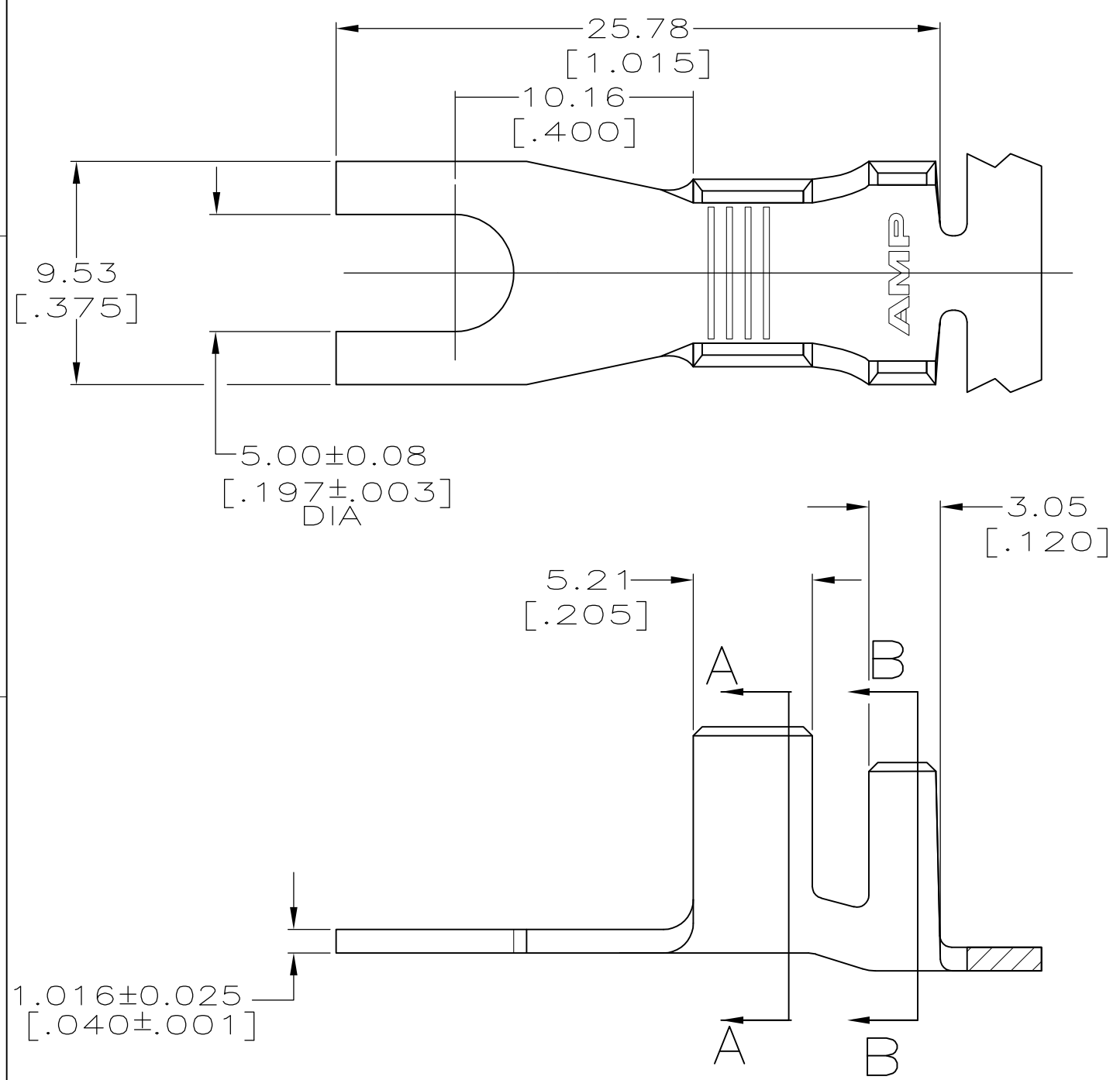


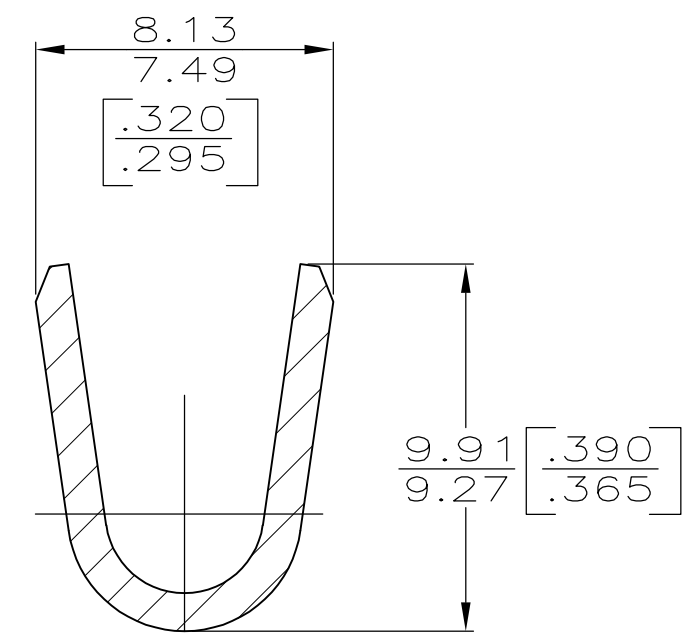
THIS DRAWING IS UNPUBLISHED. RELEASED FOR PUBLICATION
 © COPYRIGHT BY TYCO ELECTRONICS CORPORATION. ALL INTERNATIONAL RIGHTS RESERVED.

LOC	DIST	REVISIONS					
AF	50	P	LTR	DESCRIPTION	DATE	DWN	APVD
		G		REVISED PER ECR-10-006099	08JUL10	HMR	PD

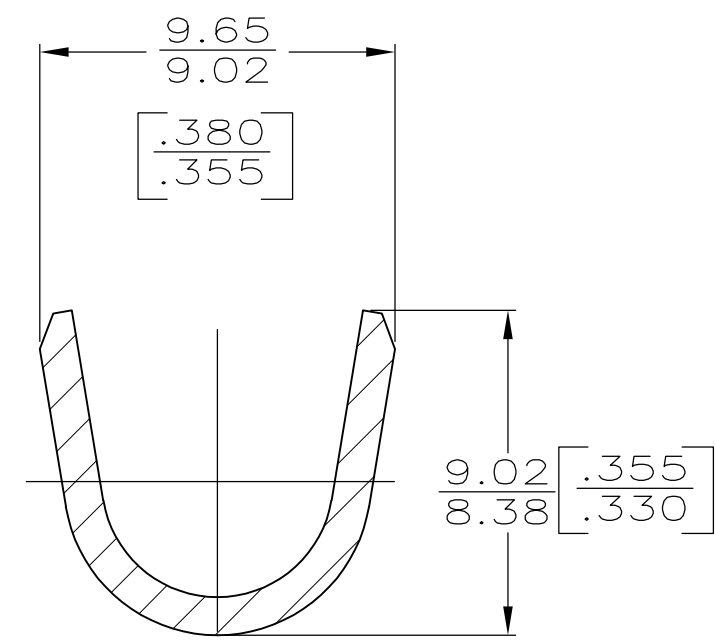


1. CONTINUOUS STRIP ON REEL.

△3 INSULATION RANGE IS
 3.68-5.33 [.145-.210] FOR AN F TYPE CRIMP.
 5.33-7.37 [.210-.290] FOR AN O TYPE CRIMP.



SECTION A-A
SCALE 5:1



SECTION B-B
SCALE 5:1

△3	[10-6] AWG	61855-1
INSULATION RANGE	WIRE RANGE	PART NO

THIS DRAWING IS A CONTROLLED DOCUMENT.		DWN 2/14/94 PHILLIP M FORTNEY	Tyco Electronics Corporation Harrisburg, PA 17105-3608	
DIMENSIONS: mm [INCHES]		CHK 2/14/94 JEFF RUTH	NAME	
TOLERANCES UNLESS OTHERWISE SPECIFIED:		APVD 2/14/94 GARY YETTER	SPADE	
0 PLC ± - 1 PLC ± - 2 PLC ± 0.25 [.010] 3 PLC ± - 4 PLC ± - ANGLES ± -		PRODUCT SPEC	RESTRICTED TO	
MATERIAL 082 BRASS		APPLICATION SPEC	SIZE	CAGE CODE
FINISH TIN		WEIGHT	A3	00779
CUSTOMER DRAWING		DRAWING NO G-61855		REV G
SCALE 4:1		SHEET 1 OF 1		