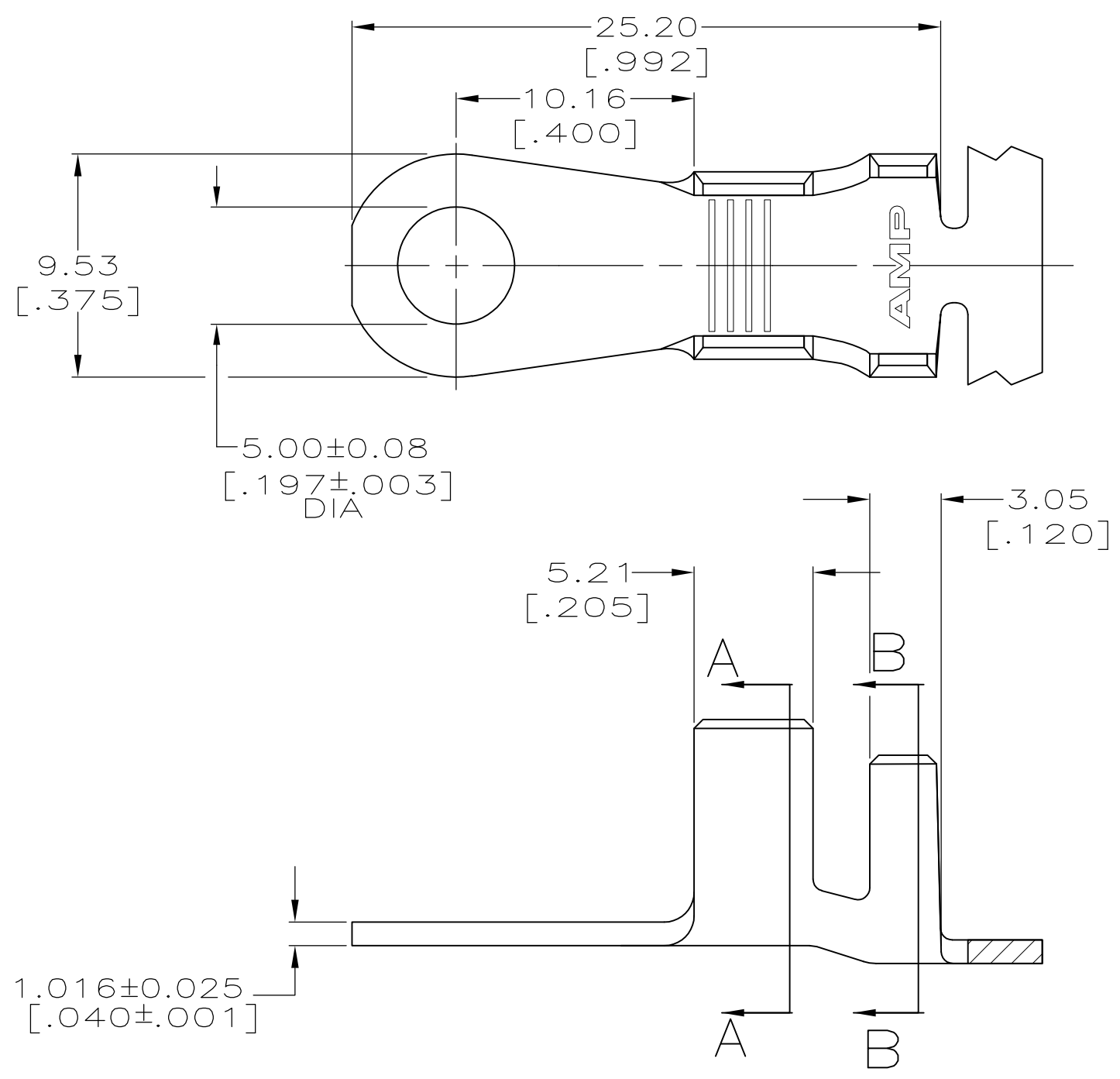
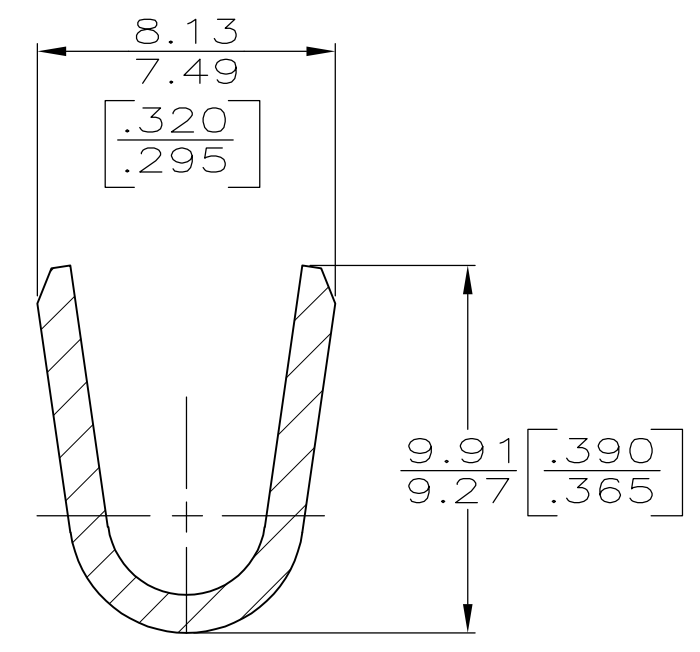


THIS DRAWING IS UNPUBLISHED. RELEASED FOR PUBLICATION
 © COPYRIGHT BY TYCO ELECTRONICS CORPORATION. ALL INTERNATIONAL RIGHTS RESERVED.

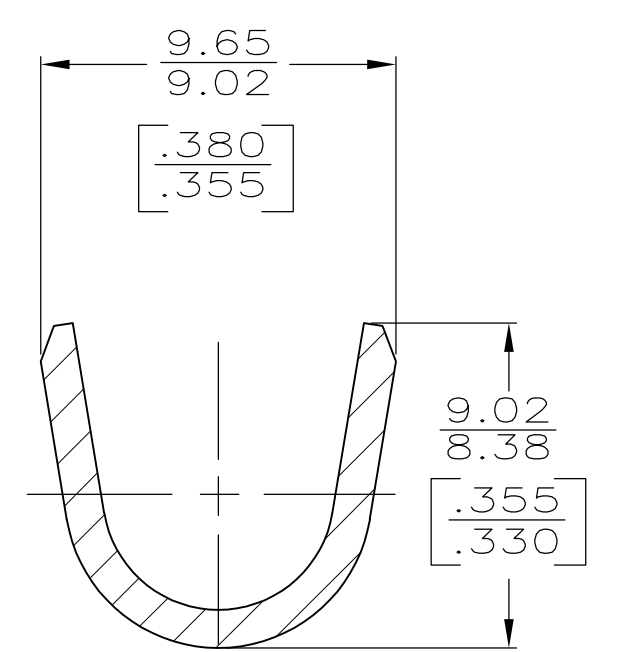
LOC	DIST	REVISIONS			
P	LTR	DESCRIPTION	DATE	DWN	APVD
AF	50	H3	REVISED PER ECR-13-014665	17SEP13	B.P D.Z



- 1 CONTINUOUS STRIP ON REEL.
- 2 TIN PLATING.
- 3 INSULATION RANGES:
 3.68-5.33 [.145-.210] FOR AN F TYPE CRIMP
 5.33-7.37 [.210-.290] FOR AN O TYPE CRIMP
- 4 PRELIMINARY - NOT FOR PRODUCTION



SECTION A-A
SCALE 5:1



SECTION B-B
SCALE 5:1

REVERSE REELING	3	[10-6] AWG	61866-3
---			61866-1
NOTES	INSULATION RANGE	WIRE RANGE	PART NUMBER

THIS DRAWING IS A CONTROLLED DOCUMENT.		DWN 2/16/94 PHILLIP M FORTNEY	Tyco Electronics Corporation Harrisburg, PA 17105-3608	
DIMENSIONS: mm [INCHES]		CHK 2/16/94 JEFF RUTH	NAME	
TOLERANCES UNLESS OTHERWISE SPECIFIED:		APVD 2/16/94 GARY YETTER	RING TERMINAL	
0 PLC ± -		PRODUCT SPEC	SIZE	
1 PLC ± -		APPLICATION SPEC	CAGE CODE	DRAWING NO
2 PLC ± 0.25 [.010]		WEIGHT	A300779	C-61866
3 PLC ± -		CUSTOMER DRAWING	SCALE 4:1	SHEET 1 OF 1
4 PLC ± -			REV H3	
ANGLES ± -				
FINISH				
MATERIAL 082 BRASS				