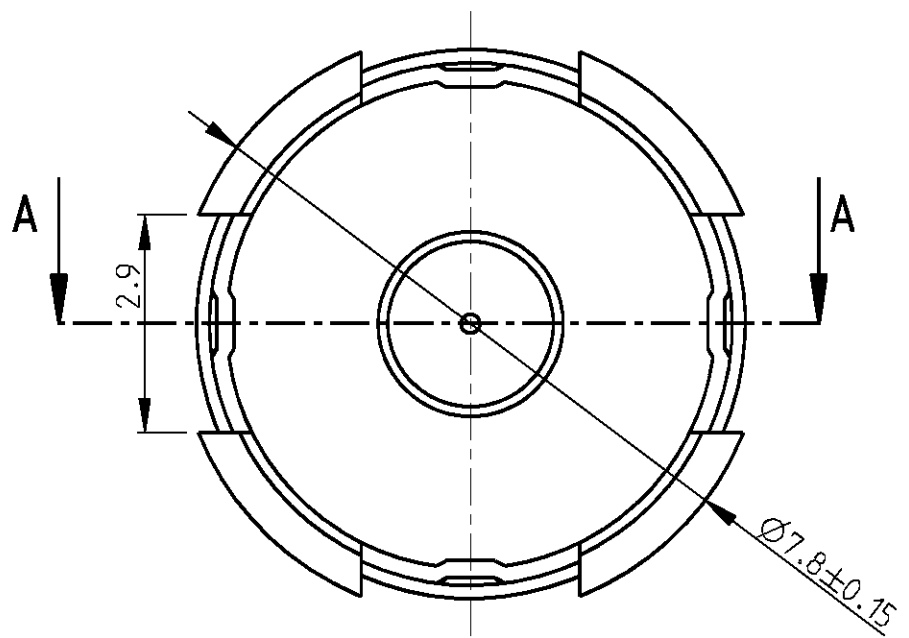
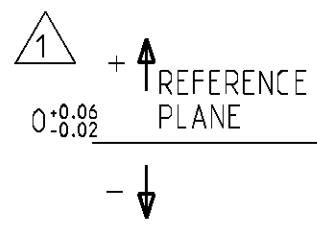


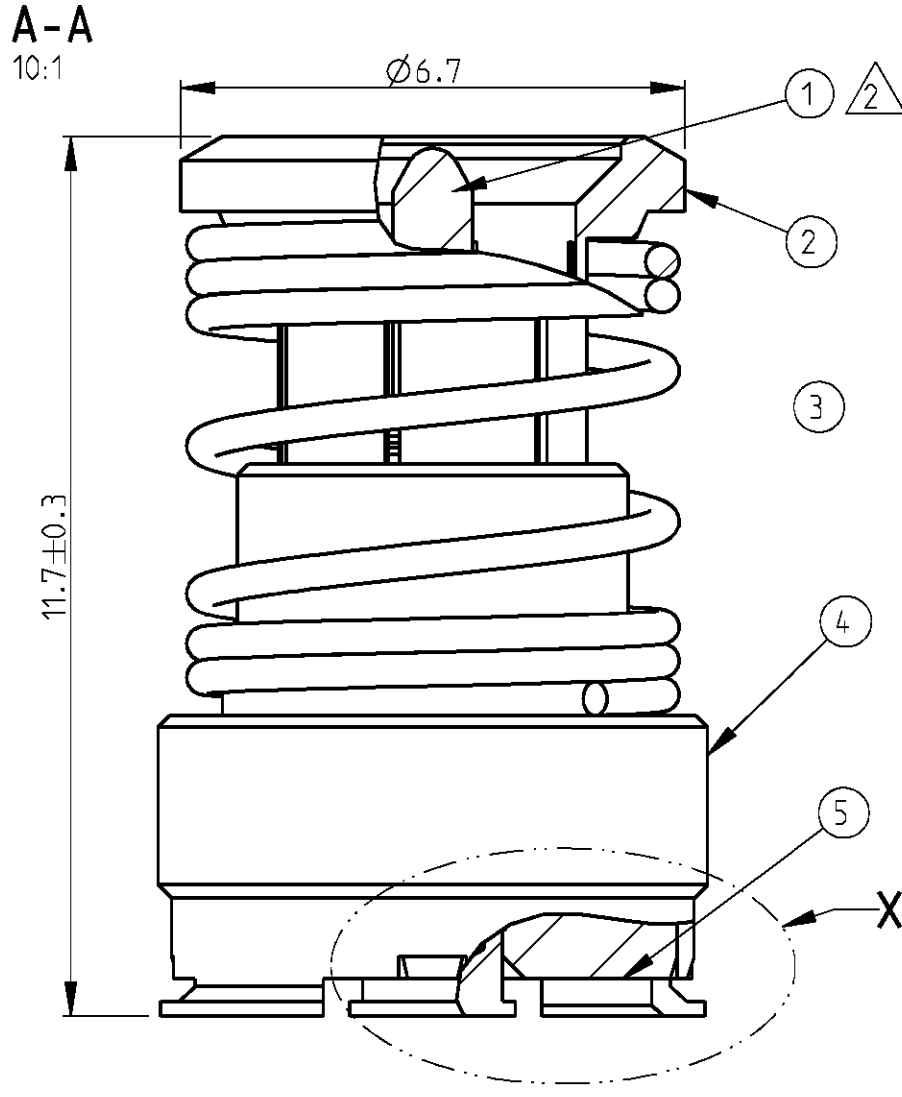
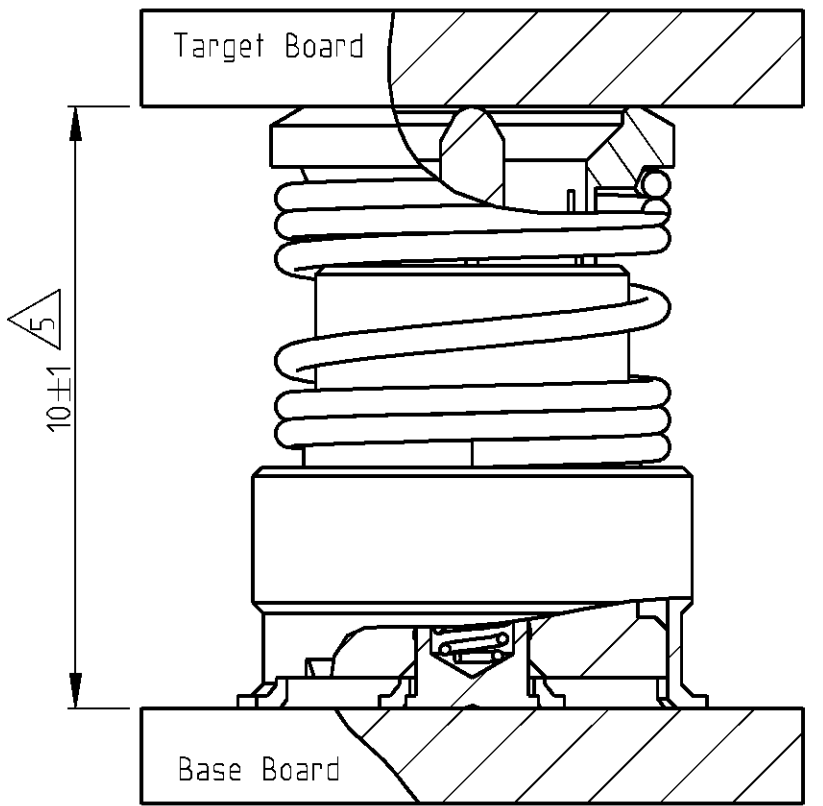
| LOC | DIST | REVISIONS | | | | | |
|-----|------|-----------|-----|---------------------------|---------|-----|------|
| GW | 00 | P | LTR | DESCRIPTION | DATE | DWN | APVD |
| | | A3 | | REVISED PER ECO-11-005150 | 03MAY11 | RK | HMR |



X
16:1



MATED BETWEEN BOARDS



| | | | | | | | |
|-----------------------|--|--|--|---|--|--|--|
| DIMENSIONS: mm | | TOLERANCES UNLESS OTHERWISE SPECIFIED: 0 PLC ±0.2 1 PLC ±0.2 2 PLC ±0.1 3 PLC ± 4 PLC ± ANGLES ±2° | | DWN R. Luppi 03JAN05 CHK D. Bozzer 04JAN05 APVD - PRODUCT SPEC 108-71060 APPLICATION SPEC - WEIGHT - | | TE TE Connectivity NAME BOARD-TO-BOARD CONNECTOR 10 MM HEIGHT SIZE A3 CAGE CODE 00779 DRAWING NO C-619134 RESTRICTED TO - | |
| MATERIAL - | | FINISH - | | CUSTOMER DRAWING | | SCALE 8:1 SHEET 1 OF 3 REV A3 | |

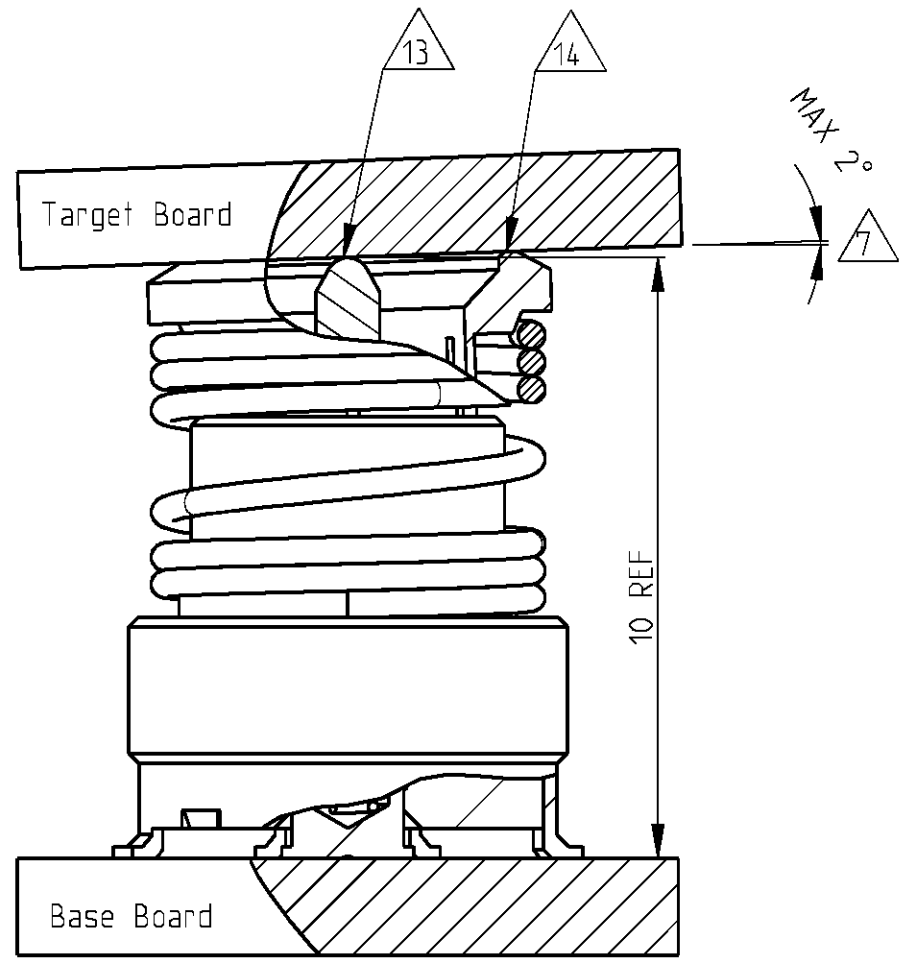
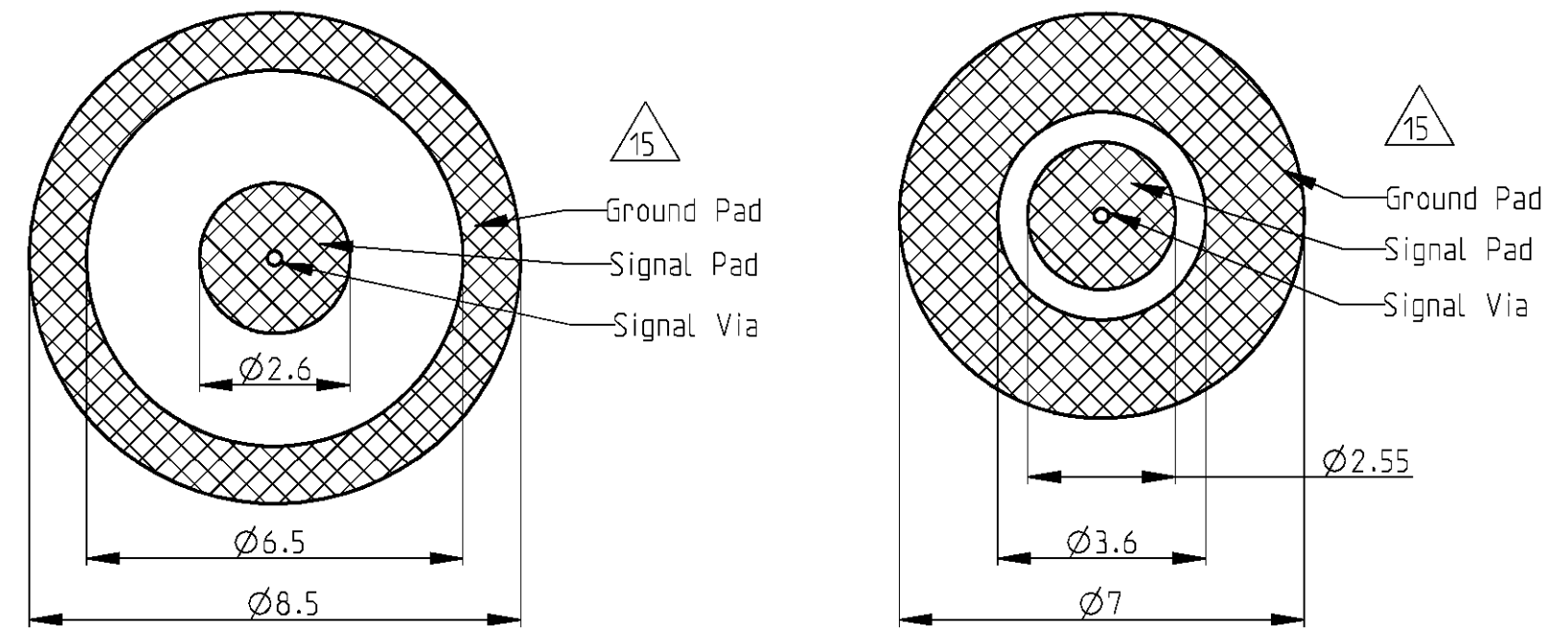
THIS DRAWING IS UNPUBLISHED. RELEASED FOR PUBLICATION AUG. 2001
 © COPYRIGHT - BY - ALL RIGHTS RESERVED.

| LOC | DIST | REVISIONS | | | |
|-----|------|-------------|-------------|-----|------|
| P | LTR | DESCRIPTION | DATE | DWN | APVD |
| GW | 00 | - | see sheet 1 | - | - |

- 1 POSITION OF CENTER CONTACT
- 2 PLATING 0.15 μm Au OVER NiP
- 3 PLATING 0.3 μm Au OVER NiP,
- 4 1 CONNECTOR PACKED IN PLASTIC BAG
- 5 DISTANCE BETWEEN PRINTED CIRCUIT BOARDS
- 6 MISALIGNMENT BETWEEN CONNECTOR AXIS AND TARGET LAYOUT ON TARGET BOARD: MAX 0.8 mm
- 7 ANGLE BETWEEN PRINTED CIRCUIT BOARDS

8 RECOMMENDED LAYOUT ON BASE BOARD

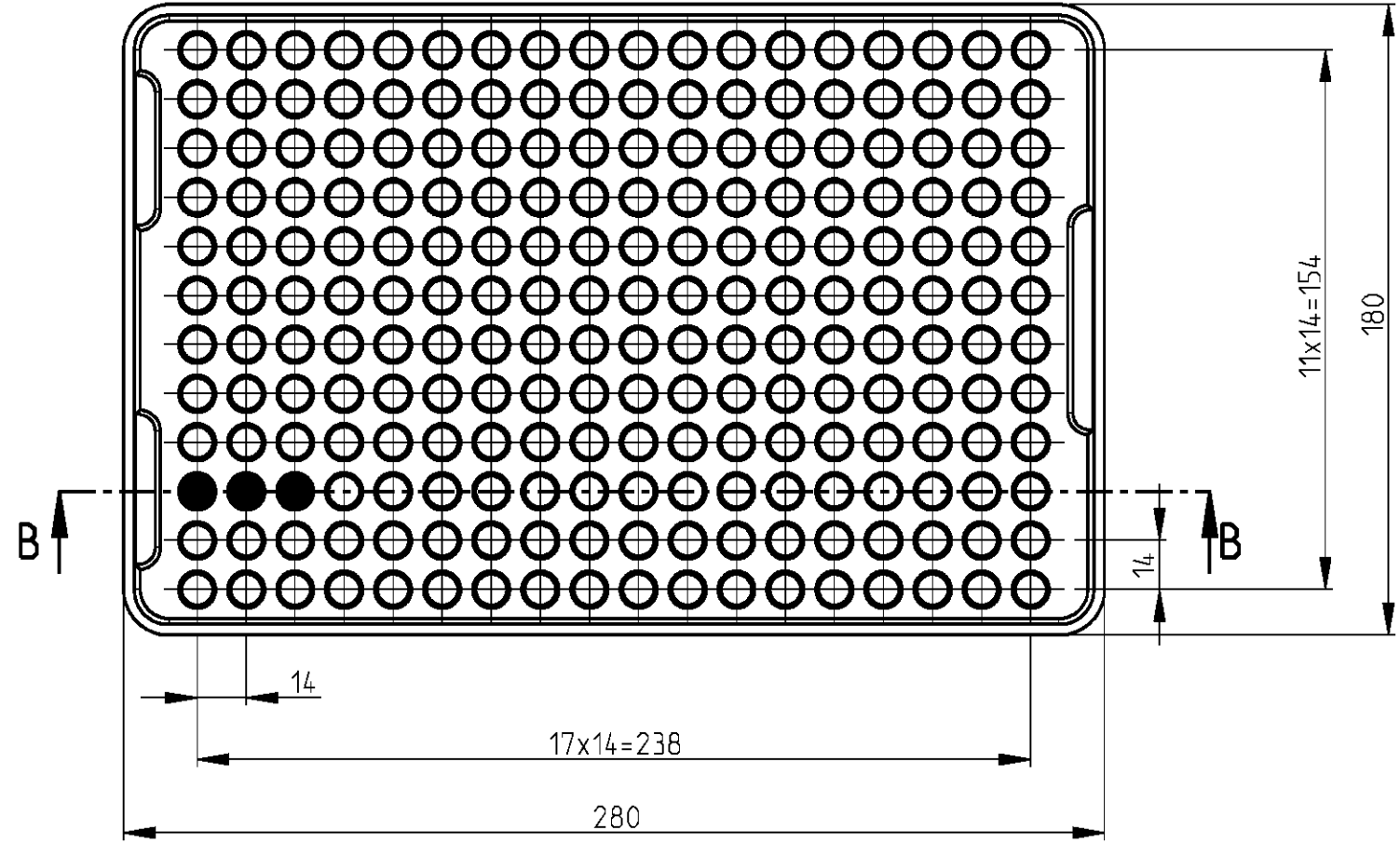
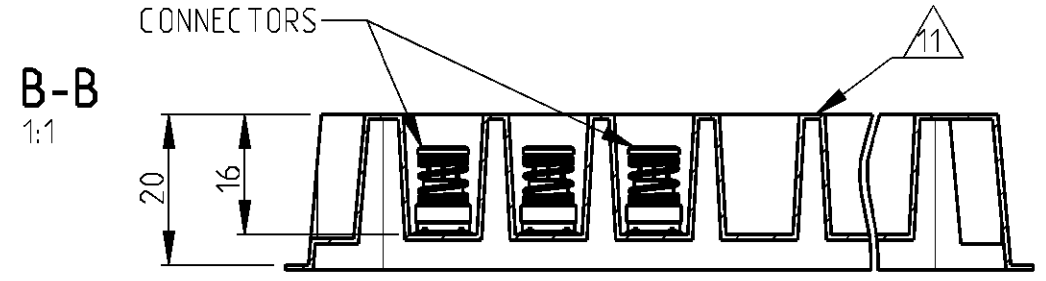
9 RECOMMENDED TARGET LAYOUT ON TARGET BOARD



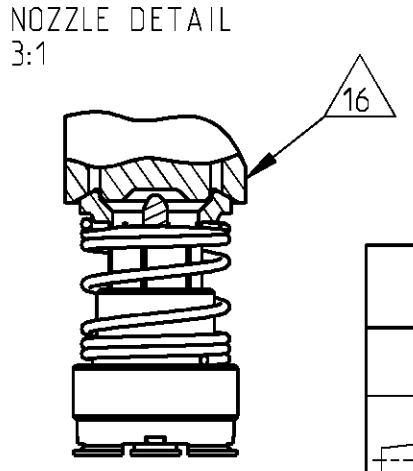
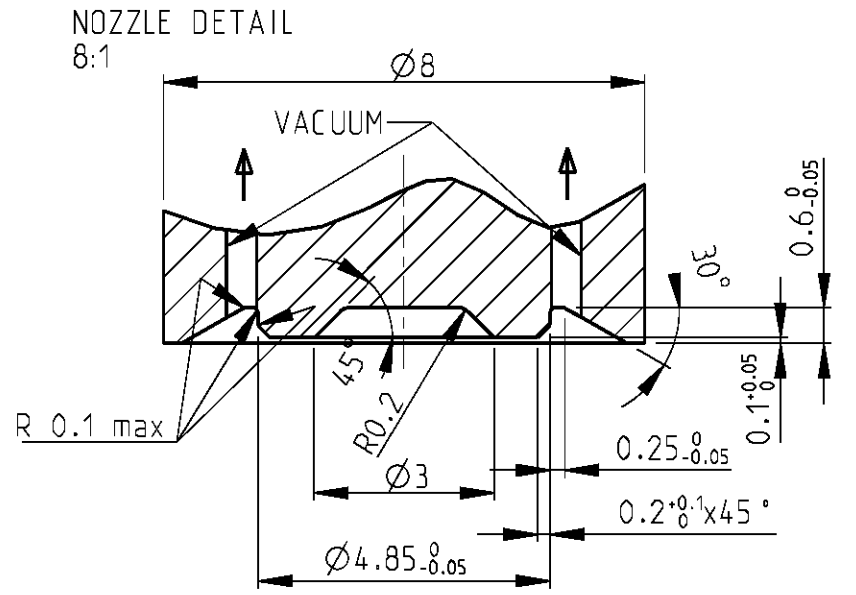
| | | | | | |
|------|----|----------|-------------------------|-----------------------|---------|
| 1 | 1 | 5 | DIELECTRIC | PCT / PEEK | |
| 1 | 1 | 4 | OUTER SHELL | CuZn | 2 |
| 1 | 1 | 3 | SPRING | STAINLESS STEEL | |
| 1 | 1 | 2 | CONTACT RING | CuSn | 2 |
| 1 | 1 | 1 | CENTER CONTACT ASSEMBLY | CuZn, STAINLESS STEEL | 2 3 |
| 5--1 | -1 | ITEM | DESCRIPTION | MATERIAL | PLATING |
| 10 | 4 | ORDER N° | ORDER N° | | |

| | | | | | | | |
|--------------------|--|---|--|---|--|--|--|
| DIMENSIONS: mm | | TOLERANCES UNLESS OTHERWISE SPECIFIED: 0 PLC ±0.05 1 PLC ±0.05 2 PLC ±0.05 3 PLC ± 4 PLC ± ANGLES ±2° | | DWN R. Luppi 03JAN05 CHK D. Bozzer 04JAN05 APVD - PRODUCT SPEC 108-71060 APPLICATION SPEC - WEIGHT - | | TE TE Connectivity NAME BOARD-TO-BOARD CONNECTOR 10 MM HEIGHT SIZE A3 CAGE CODE 00779 DRAWING NO C-619134 RESTRICTED TO - | |
| MATERIAL - | | FINISH - | | CUSTOMER DRAWING | | SCALE 8:1 SHEET 2 OF 3 REV A3 | |

| LOC | DIST | REVISIONS | | | |
|-----|------|-------------|-------------|-----|------|
| P | LTR | DESCRIPTION | DATE | DWN | APVD |
| GW | 00 | - | see sheet 1 | - | - |



- 10 PACKAGING:
 -216 CONNECTORS PER TRAY
 -10 TRAYS PER SHIPPING BOX
 -SHIPPING BOX DIMENSIONS (LxBxH): 287x187x200
- 11 ANTISTATIC MATERIAL
- 12 - ALTERNATIVE PACKAGING IN TAPE AND REEL
- 13 CONTACT FORCE FOR CENTER CONDUCTOR:
 F MAX. = 2.8 N (Total length compressed at 13 mm)
- 14 CONTACT FORCE FOR CONTACT RING:
 F MAX. = 5.3 N (Total length compressed at 13 mm)
- 15 RECOMENDED PCB CHARACTERISTICS :
 - PLATING Au , SURFACE ROUGHNESS Rz4 MAX.
 - PCB MATERIAL FR4
 - PCB THICKNESS MIN. 0.8 mm
- 16 RECOMENDED NOZZLE DESIGN



| | | | | | | | | | | | | | | | | | | | | | | | | | |
|--|-----------|--|-------|----------------------|-------|---------------------------|--|-------|-------|-------|---|-------|---|--------|-----|---|--|------|---|--------------|-----------|------------------|---|--------|---|
| DIMS: mm | | TOLERANCES UNLESS OTHERWISE SPECIFIED: | | DWN R. Luppi 03JAN05 | | TE TE Connectivity | | | | | | | | | | | | | | | | | | | |
| <table border="1"> <tr><td>0 PLC</td><td>±0.05</td></tr> <tr><td>1 PLC</td><td>±0.05</td></tr> <tr><td>2 PLC</td><td>±0.05</td></tr> <tr><td>3 PLC</td><td>±</td></tr> <tr><td>4 PLC</td><td>±</td></tr> <tr><td>ANGLES</td><td>±2°</td></tr> </table> | | 0 PLC | ±0.05 | 1 PLC | ±0.05 | | | 2 PLC | ±0.05 | 3 PLC | ± | 4 PLC | ± | ANGLES | ±2° | <table border="1"> <tr><td>APVD</td><td>-</td></tr> <tr><td>PRODUCT SPEC</td><td>108-71060</td></tr> <tr><td>APPLICATION SPEC</td><td>-</td></tr> <tr><td>WEIGHT</td><td>-</td></tr> </table> | | APVD | - | PRODUCT SPEC | 108-71060 | APPLICATION SPEC | - | WEIGHT | - |
| 0 PLC | ±0.05 | | | | | | | | | | | | | | | | | | | | | | | | |
| 1 PLC | ±0.05 | | | | | | | | | | | | | | | | | | | | | | | | |
| 2 PLC | ±0.05 | | | | | | | | | | | | | | | | | | | | | | | | |
| 3 PLC | ± | | | | | | | | | | | | | | | | | | | | | | | | |
| 4 PLC | ± | | | | | | | | | | | | | | | | | | | | | | | | |
| ANGLES | ±2° | | | | | | | | | | | | | | | | | | | | | | | | |
| APVD | - | | | | | | | | | | | | | | | | | | | | | | | | |
| PRODUCT SPEC | 108-71060 | | | | | | | | | | | | | | | | | | | | | | | | |
| APPLICATION SPEC | - | | | | | | | | | | | | | | | | | | | | | | | | |
| WEIGHT | - | | | | | | | | | | | | | | | | | | | | | | | | |
| MATERIAL - | | FINISH - | | SIZE A3 | | CAGE CODE 00779 | | | | | | | | | | | | | | | | | | | |
| CUSTOMER DRAWING | | | | DRAWING NO C-619134 | | RESTRICTED TO - | | | | | | | | | | | | | | | | | | | |
| | | | | SCALE - | | SHEET 3 OF 3 | | | | | | | | | | | | | | | | | | | |
| | | | | | | REV A3 | | | | | | | | | | | | | | | | | | | |