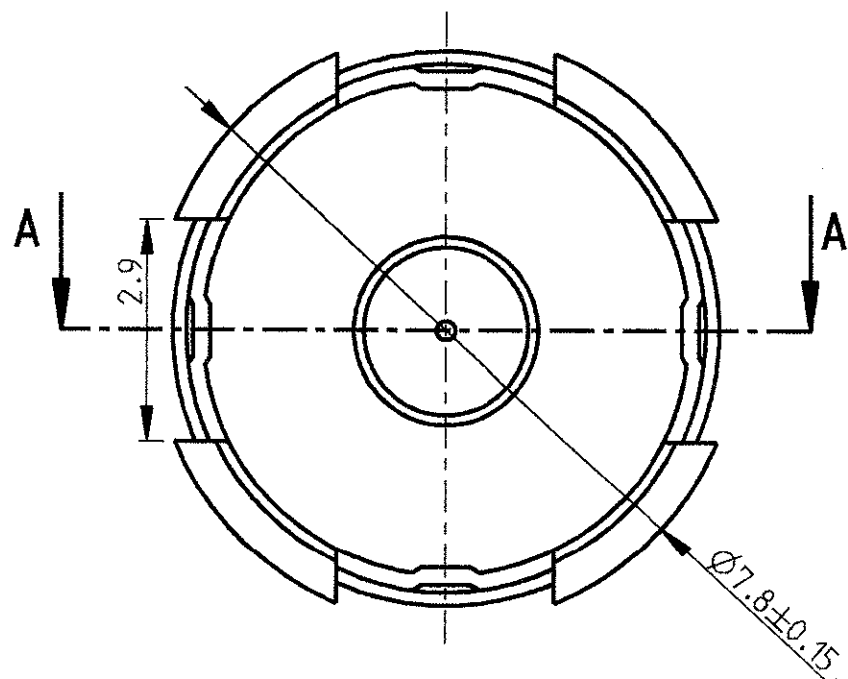
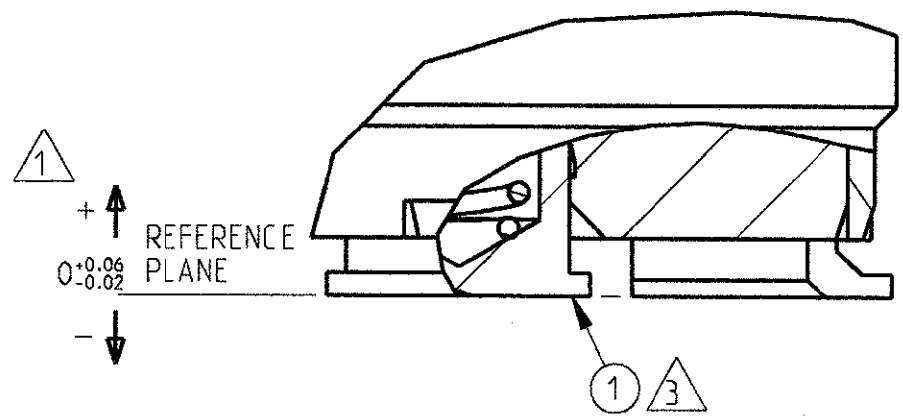


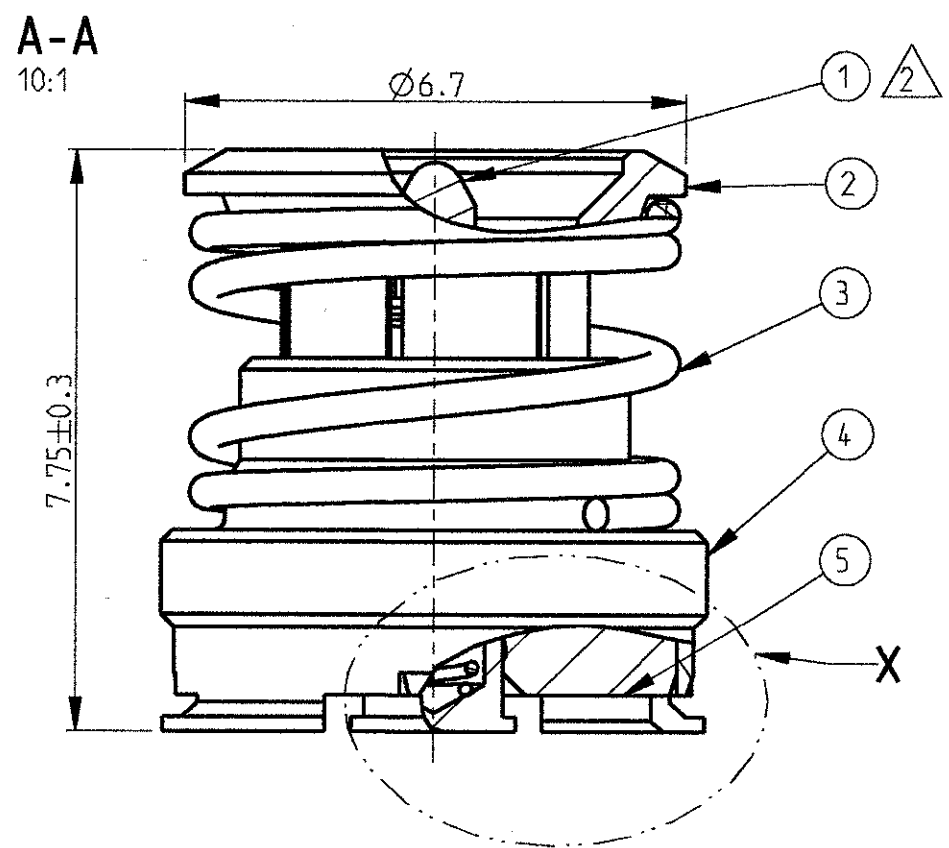
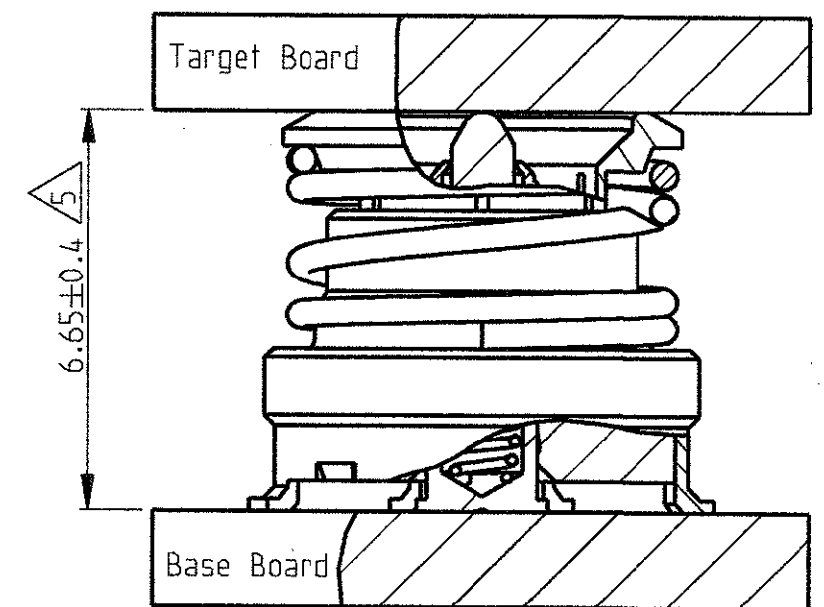
LOC	DIST	REVISIONS			
P	LTR	DESCRIPTION	DATE	DWN	APVD
GW	00				



X  
16:1



MATED BETWEEN BOARDS



<small>THIS DRAWING IS A CONTROLLED DOCUMENT FOR TYCO ELECTRONICS CORPORATION. IT IS SUBJECT TO CHANGE AND THE CONTROLLING ENGINEERING ORGANIZATION SHOULD BE CONTACTED FOR THE LATEST REVISION.</small>		DWH R. Luppi	03JAN05	Tyco Electronics Oostkamp - Belgium
		CHK D. Bozzer	04JAN05	
DIMENSIONS: mm		APVD -	NAME	BOARD-TO-BOARD CONNECTOR 6.65 MM HEIGHT
		PRODUCT SPEC 108-71060		
TOLERANCES UNLESS OTHERWISE SPECIFIED: 0 PLC ±0.2 1 PLC ±0.2 2 PLC ±0.1 3 PLC ± 4 PLC ± ANGLES ±2°		APPLICATION SPEC -	SIZE	RESTRICTED TO
MATERIAL -		FINISH -	WEIGHT -	CAGE CODE A3 00779
		DRAWING NO C=619135		
		CUSTOMER DRAWING		SCALE 8:1 SHEET 1 OF 3 REV A2

LOC GW DIST 00

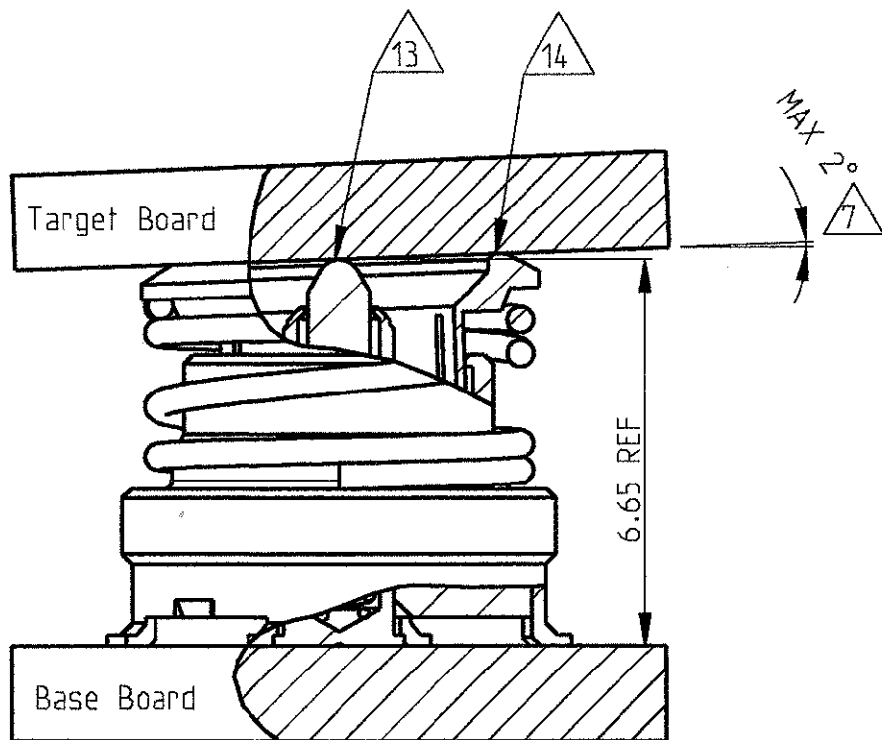
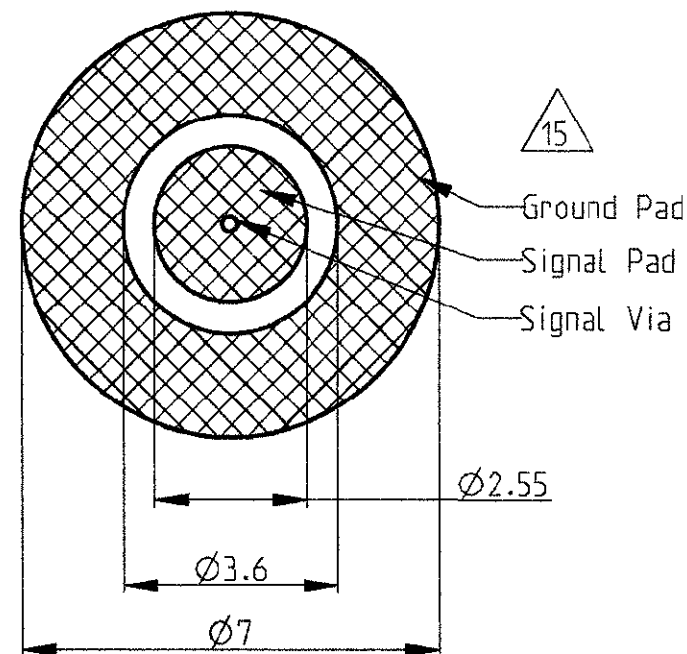
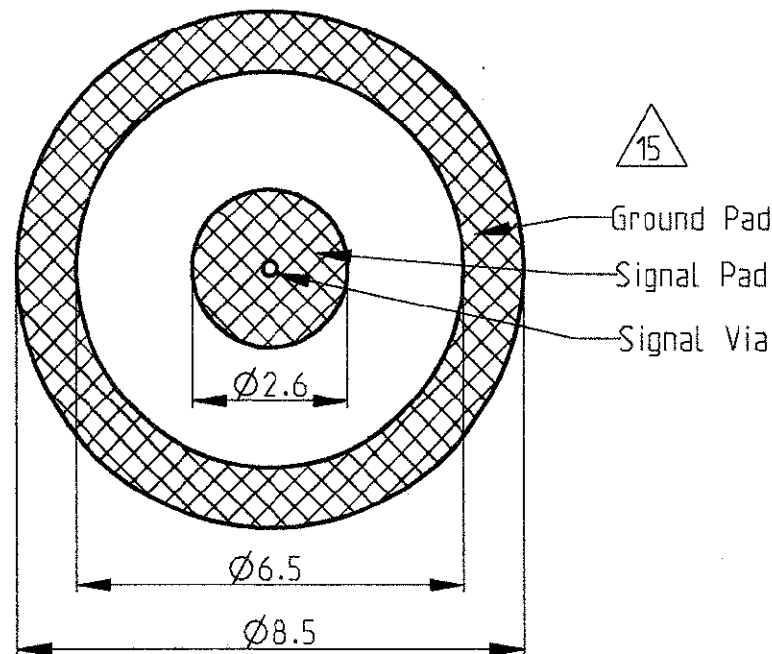
REVISIONS

P	LTR	DESCRIPTION	DATE	DWN	APVD

- 1 POSITION OF CENTER CONTACT
- 2 PLATING 0.15 μm Au OVER NiP
- 3 PLATING MIN 0.3 μm Au OVER NiP.
- 4 1 CONNECTOR PACKED IN PLASTIC BAG
- 5 DISTANCE BETWEEN PRINTED CIRCUIT BOARDS
- 6 MISALIGNMENT BETWEEN CONNECTOR AXIS AND TARGET LAYOUT ON TARGET BOARD: MAX 0.8 mm
- 7 ANGLE BETWEEN PRINTED CIRCUIT BOARDS

8 RECOMMENDED LAYOUT ON BASE BOARD

9 RECOMMENDED TARGET LAYOUT ON TARGET BOARD



1	1	5	DIELECTRIC	PCT / PEEK	
1	1	4	OUTER SHELL	CuZn	2
1	1	3	SPRING	STAINLESS STEEL	
1	1	2	CONTACT RING	CuSn	2
1	1	1	CENTER CONTACT ASSEMBLY	CuZn, STAINLESS STEEL	2 3
5--1	-1	ITEM	DESCRIPTION	MATERIAL	PLATING
10	4	ORDER N°	ORDER N°		

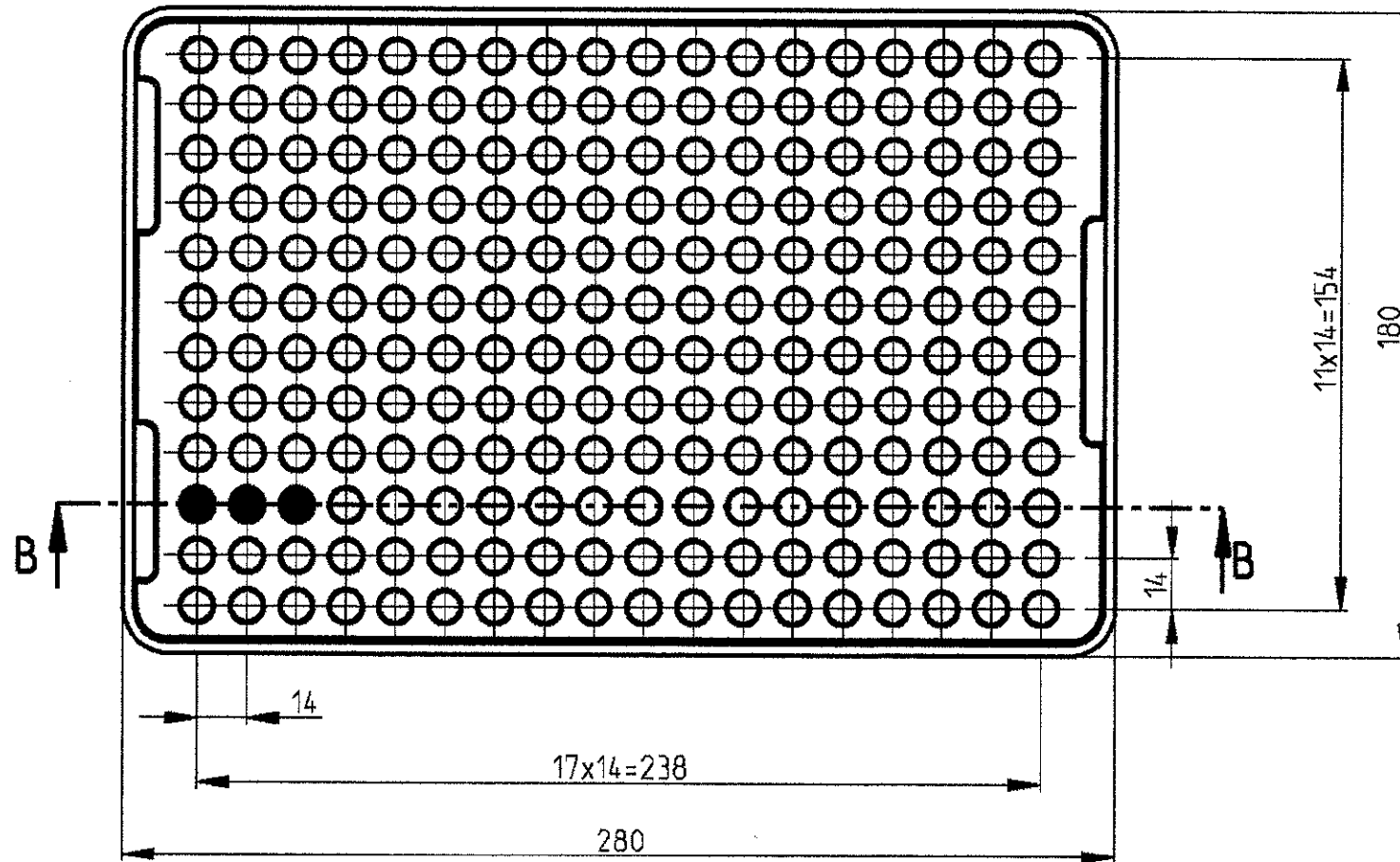
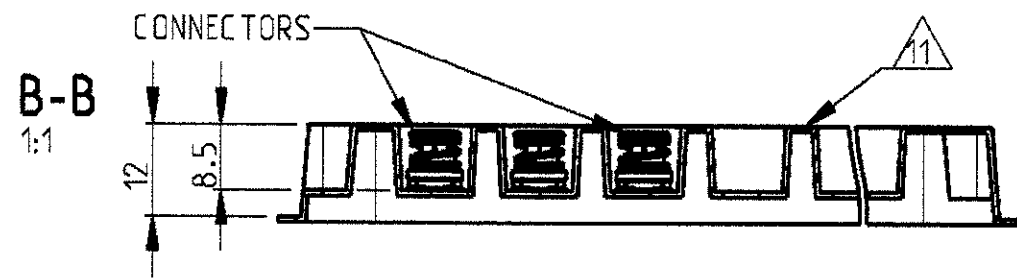
THIS DRAWING IS A CONTROLLED DOCUMENT FOR TYCO ELECTRONICS CORPORATION. IT IS SUBJECT TO CHANGE AND THE CONTROLLING ENGINEERING ORGANIZATION SHOULD BE CONTACTED FOR THE LATEST REVISION.

DIMENSIONS: mm	TOLERANCES UNLESS OTHERWISE SPECIFIED:	DWN R. Luppi 03JAN05	Tyco Electronics Oostkamp - Belgium
	0 PLC ±0.05 1 PLC ±0.05 2 PLC ±0.05 3 PLC ± 4 PLC ± ANGLES ±2°	CHK D. Bozzer 04JAN05	
MATERIAL	FINISH	APVD	NAME BOARD-TO-BOARD CONNECTOR 6.65 MM HEIGHT
		PRODUCT SPEC 108-71060	SIZE CAGE CODE DRAWING NO RESTRICTED TO
		APPLICATION SPEC	A3 00779 C=619135
		WEIGHT	CUSTOMER DRAWING SCALE 8:1 SHEET 2 OF 3 REV A2

LOC GW DIST 00

REVISIONS

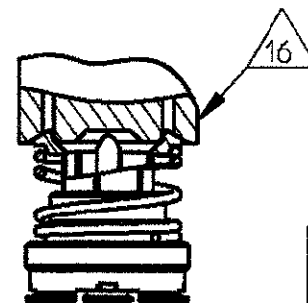
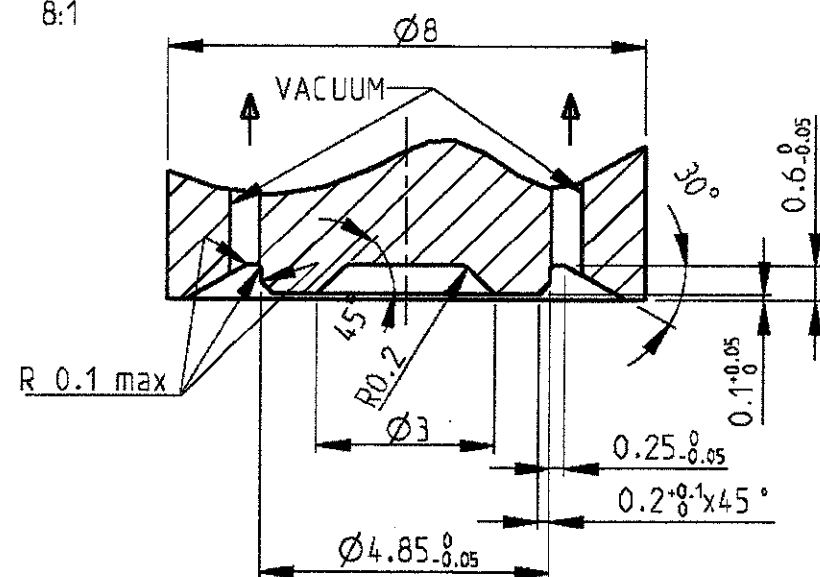
P	LTR	DESCRIPTION	DATE	DWN	APVD
-	-		-	-	-

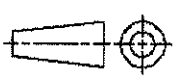


- △10 PACKAGING:  
-216 CONNECTORS PER TRAY  
-10 TRAYS PER SHIPPING BOX  
-SHIPPING BOX DIMENSIONS (LxBxH): 287x187x200
- △11 ANTISTATIC MATERIAL
- 12 - ALTERNATIVE PACKAGING IN TAPE AND REEL
- △13 CONTACT FORCE FOR CENTER CONDUCTOR:  
F MAX. = 2.8 N (Total Length compressed at 6.25 mm)
- △14 CONTACT FORCE FOR CONTACT RING:  
F MAX. = 5.3 N (Total Length compressed at 6.25 mm)
- △15 RECOMENDED PCB CHARACTERISTICS :  
- PLATING Au , SURFACE ROUGHNESS Rz4 MAX.  
- PCB MATERIAL FR4  
- PCB THICKNESS MIN. 0.8 mm
- △16 RECOMENDED NOZZLE DESIGN

NOZZLE DETAIL 8:1

NOZZLE DETAIL 3:1



<small>THIS DRAWING IS A CONTROLLED DOCUMENT FOR TYCO ELECTRONICS CORPORATION. IT IS SUBJECT TO CHANGE AND THE CONTROLLING ENGINEERING ORGANIZATION SHOULD BE CONTACTED FOR THE LATEST REVISION.</small>		DWN R. Luppi 03JAN05	<b>tyco</b> Tyco Electronics <b>Electronics</b> Oostkamp - Belgium	
DIMENSIONS: mm 		CHR D. Bozzer 04JAN05	NAME BOARD-TO-BOARD CONNECTOR 6.65 MM HEIGHT	
TOLERANCES UNLESS OTHERWISE SPECIFIED: 0 PLC ±0.05 1 PLC ±0.05 2 PLC ±0.05 3 PLC ± 4 PLC ± ANGLES ±2°		APVD -	PRODUCT SPEC 108-71060	RESTRICTED TO -
MATERIAL -		FINISH -	APPLICATION SPEC -	SIZE A3 CAGE CODE 00779 DRAWING NO C-619135
CUSTOMER DRAWING			WEIGHT -	SCALE 1:1 SHEET 3 OF 3 REV A2