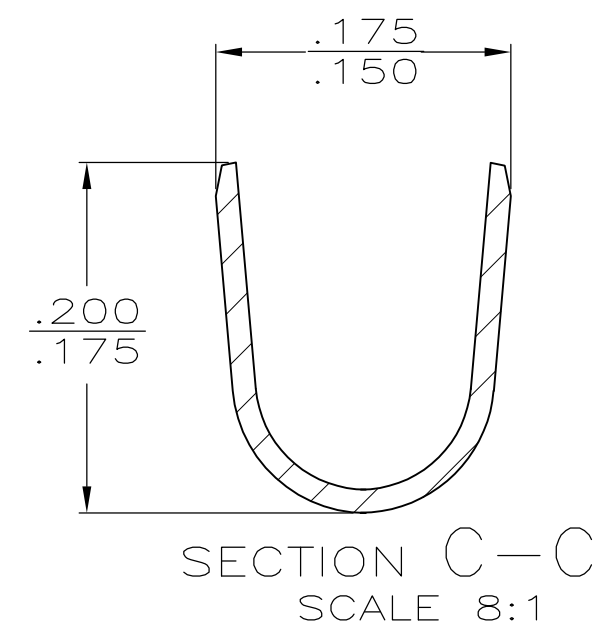
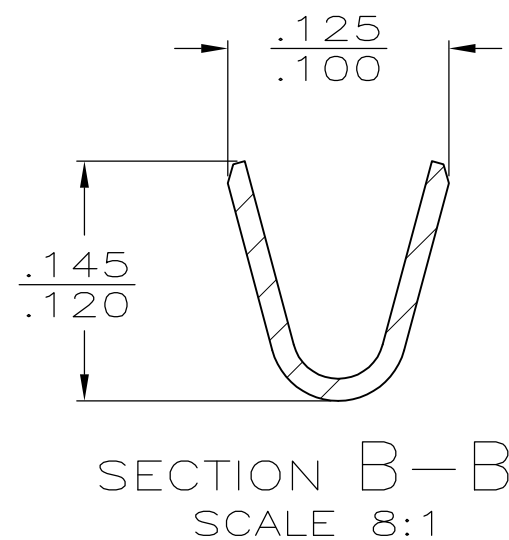
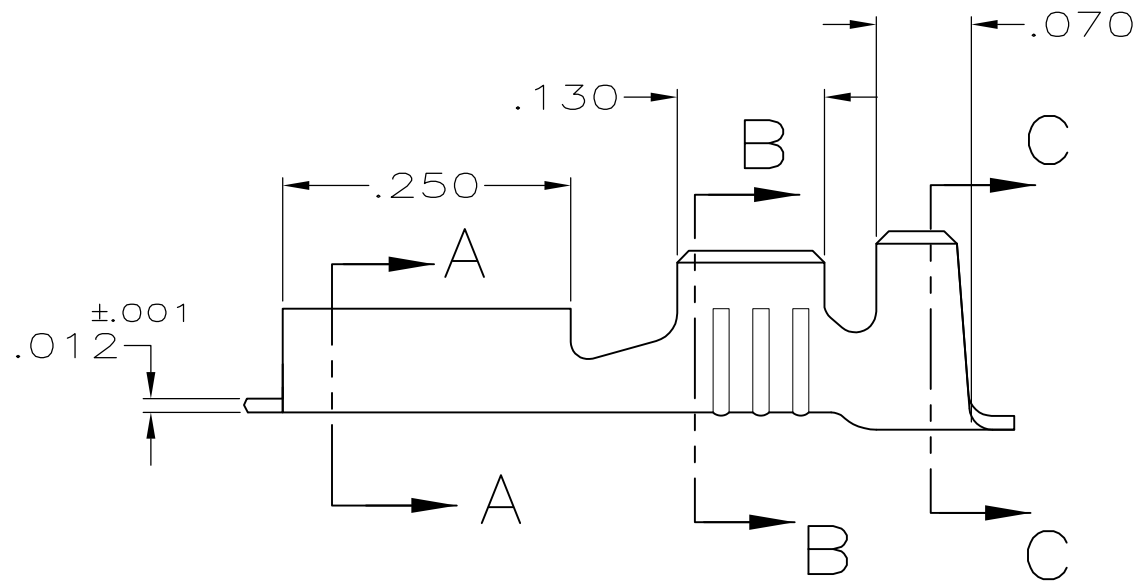
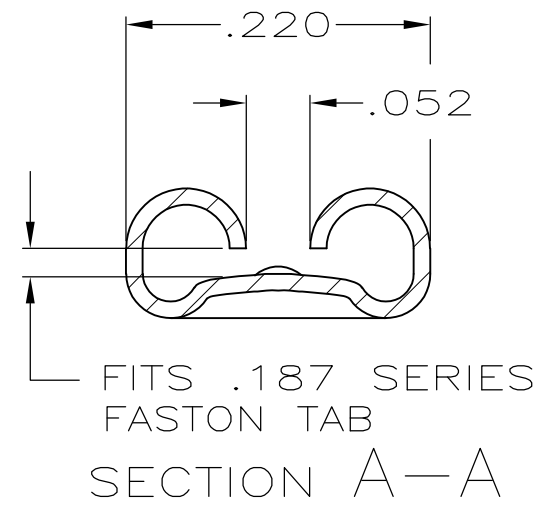
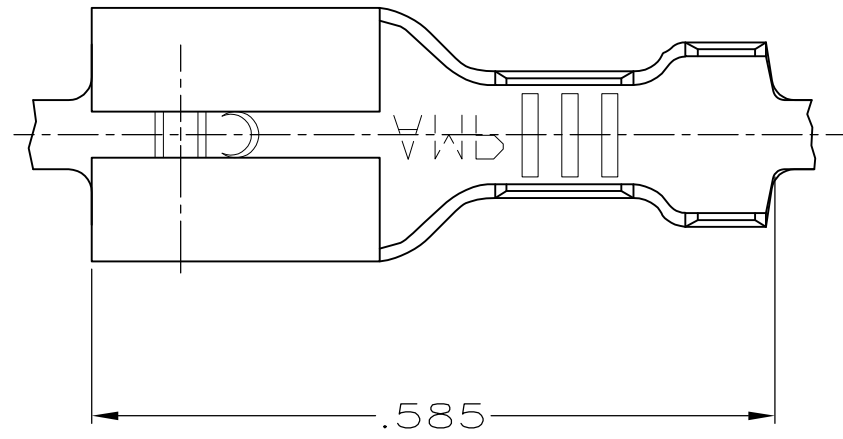


THIS DRAWING IS UNPUBLISHED. RELEASED FOR PUBLICATION  
 © COPYRIGHT - By - ALL RIGHTS RESERVED.

LOC	DIST	REVISIONS					
AF	50	P	LTR	DESCRIPTION	DATE	DWN	APVD
		D		REVISED PER ECR-12-013459	28NOV2012	KH	PD

1 CONTINUOUS STRIP ON REELS



.090-.130	20-16	.032	61919-1
INSULATION RANGE	WIRE SIZE	MATING TAB THK O $\varnothing$ 1	PART NO

F	.140	.188	F	.090	.060	16
					.053	18
					.049	20
TYPE	WIDTH	STRIP LENGTH $\pm$ .015	TYPE	WIDTH	$\pm$ .002 HEIGHT	WIRE
INSUL BARREL CRIMP			WIRE BARREL CRIMP			

THIS DRAWING IS A CONTROLLED DOCUMENT.

DIMENSIONS: INCHES

TOLERANCES UNLESS OTHERWISE SPECIFIED:

0 PLC	$\pm$ -
1 PLC	$\pm$ -
2 PLC	$\pm$ -
3 PLC	$\pm$ .015
4 PLC	$\pm$ -
ANGLES	$\pm$ -

MATERIAL: BRASS

FINISH: -

DWN: JR RUTH 1/29/90  
 CHK: MS FEHER 1/29/90  
 APVD: C MEYERS 1/29/90

**STE** TE Connectivity

RECEPTACLE, FASTON, .187 SERIES

PRODUCT SPEC: -  
 APPLICATION SPEC: -  
 WEIGHT: -

SIZE: A3 CAGE CODE: 00779 DRAWING NO: C-61919 RESTRICTED TO: -

CUSTOMER DRAWING SCALE: 6:1 SHEET: 1 OF 1 REV: D