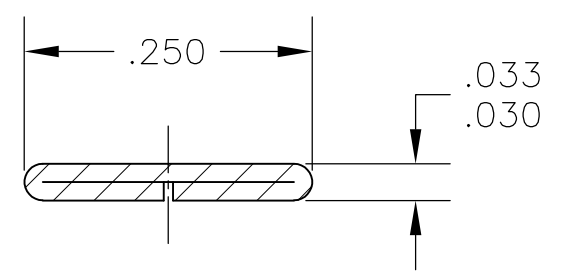
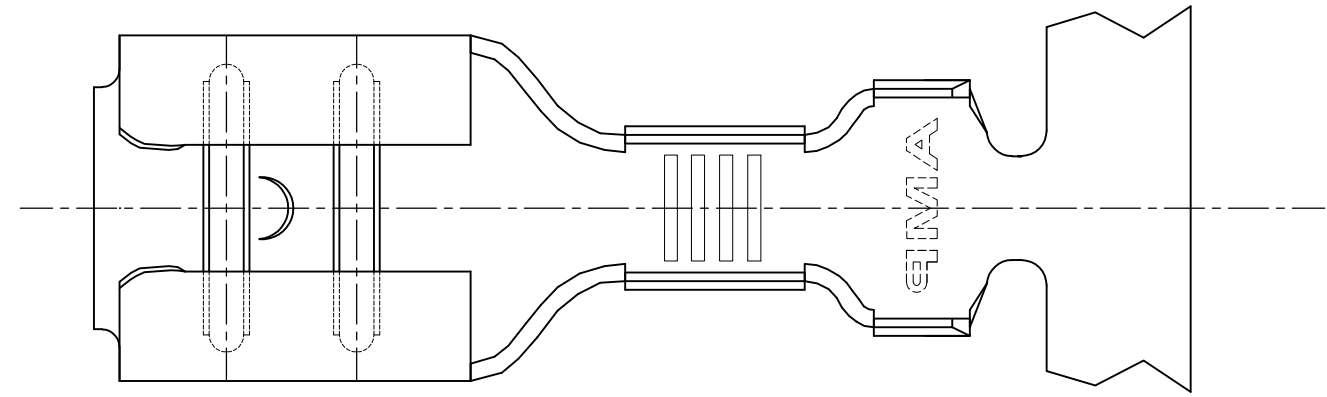


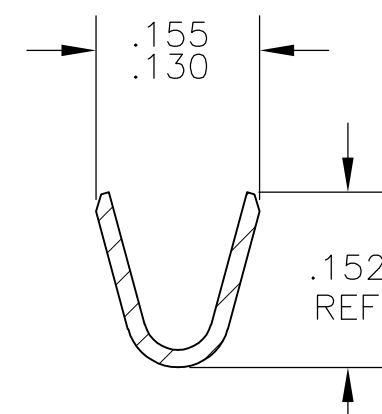
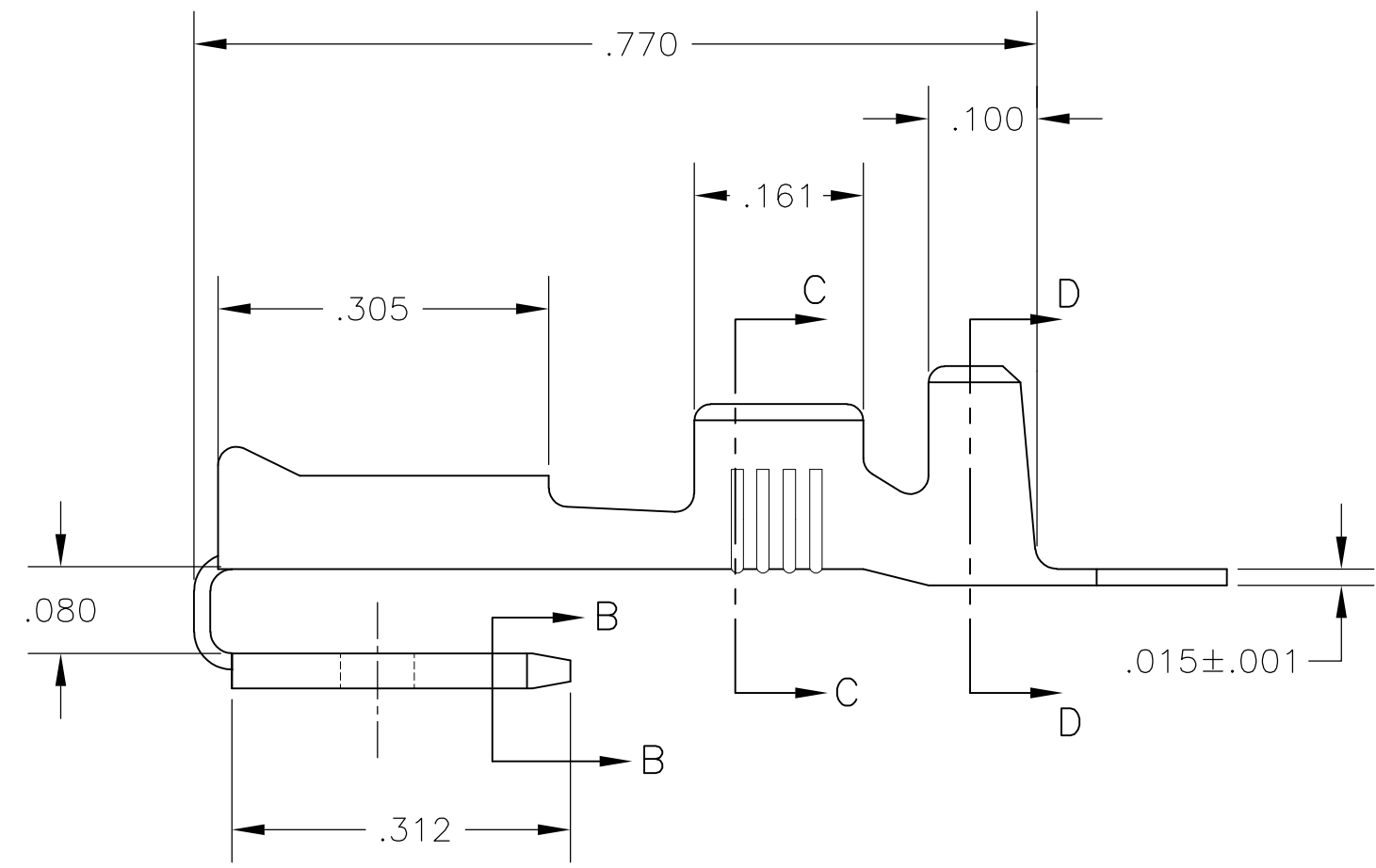
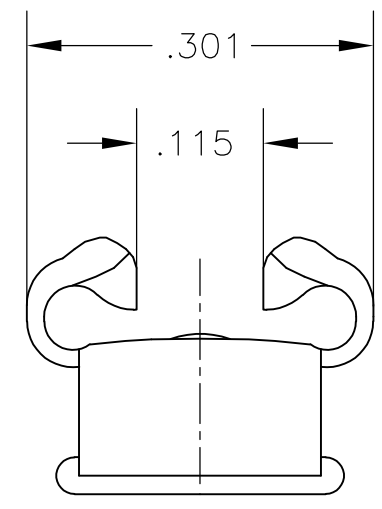
THIS DRAWING IS UNPUBLISHED. RELEASED FOR PUBLICATION  
 © COPYRIGHT - R3 ALL RIGHTS RESERVED.

LOC		DIST		REVISIONS			
P	LTR	DESCRIPTION		DATE	DWN	APVD	
AF	50	T	REVISED PER ECR-12-013459	28NOV2012	KH	PD	

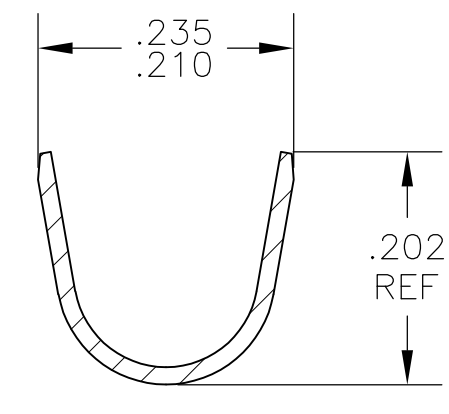
- 1 CONTINUOUS STRIP ON REELS
- 2 MATING TAB THK IS  $.032 \pm .001$ .
- 3 WIRE SIZE IS #18-#14 AWG
- 4 INSULATION RANGE IS  $.120-.170$  DIA.



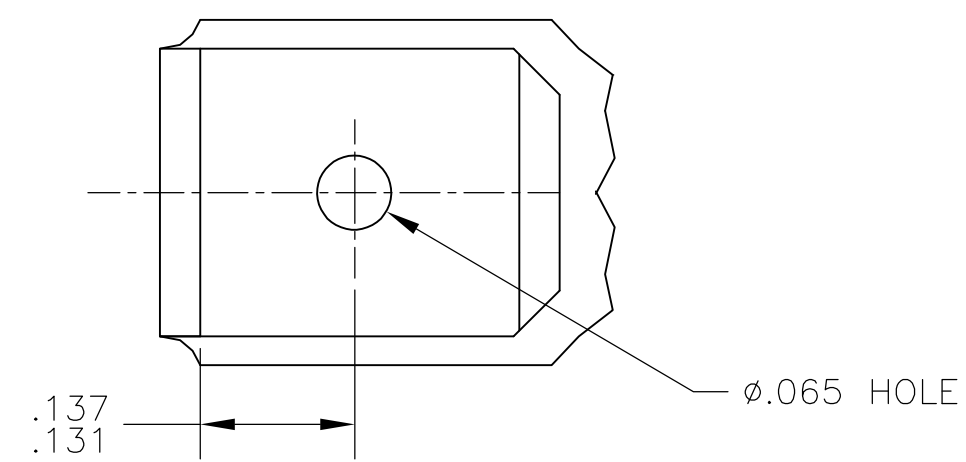
SECTION B-B



SECTION C-C



SECTION D-D



<del>— OBSOLETE</del>	SILVER PLATE	61944-4
<del>— OBSOLETE</del>	PRE TIN PLATE	61944-3
	TIN	61944-2
	—	61944-1
	FINISH	PART NO.

THIS DRAWING IS A CONTROLLED DOCUMENT.		DWN	JR RUTH	26JUL2002	 TE Connectivity RECEPTACLE, FASTON, PIGGYBACK, 250 SERIES
DIMENSIONS: INCHES		CHK	P DESANTIS	26JUL02	
TOLERANCES UNLESS OTHERWISE SPECIFIED:		APVD	P DESANTIS	26JUL02	
0 PLC ± - 1 PLC ± - 2 PLC ± - 3 PLC ± .015 4 PLC ± - ANGLES ± -		PRODUCT SPEC	NAME		
MATERIAL	BRASS	FINISH	SEE TABLE		APPLICATION SPEC
		WEIGHT	-		114-2082
		CUSTOMER DRAWING	SCALE	6:1	SIZE
					A2
					CAGE CODE
					00779
					DRAWING NO
					61944
					RESTRICTED TO
					-
					SHEET
					1 of 1
					REV
					T