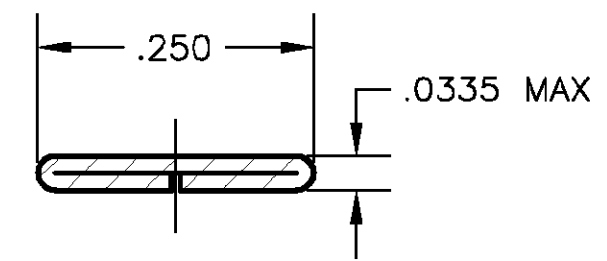
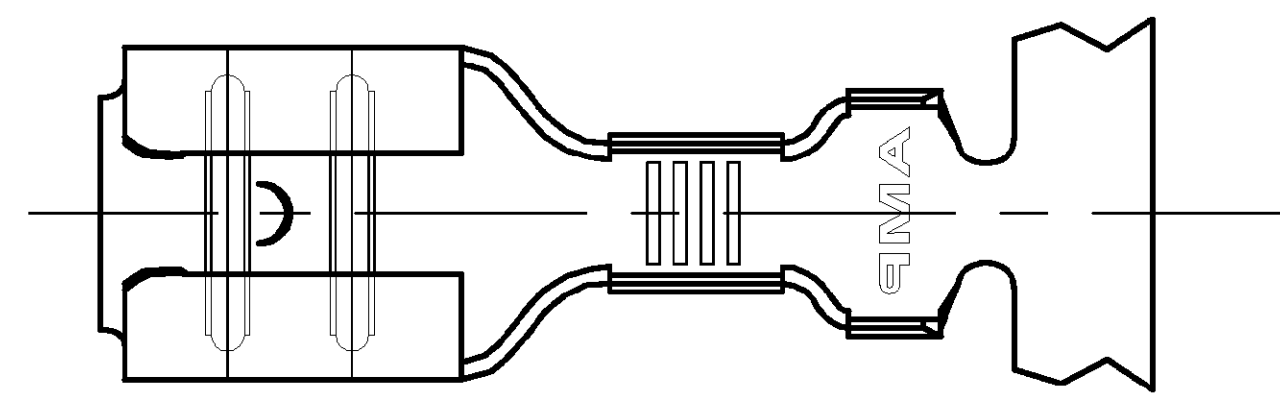


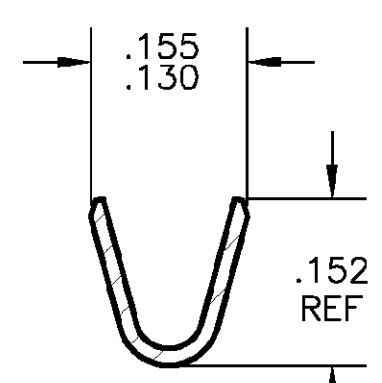
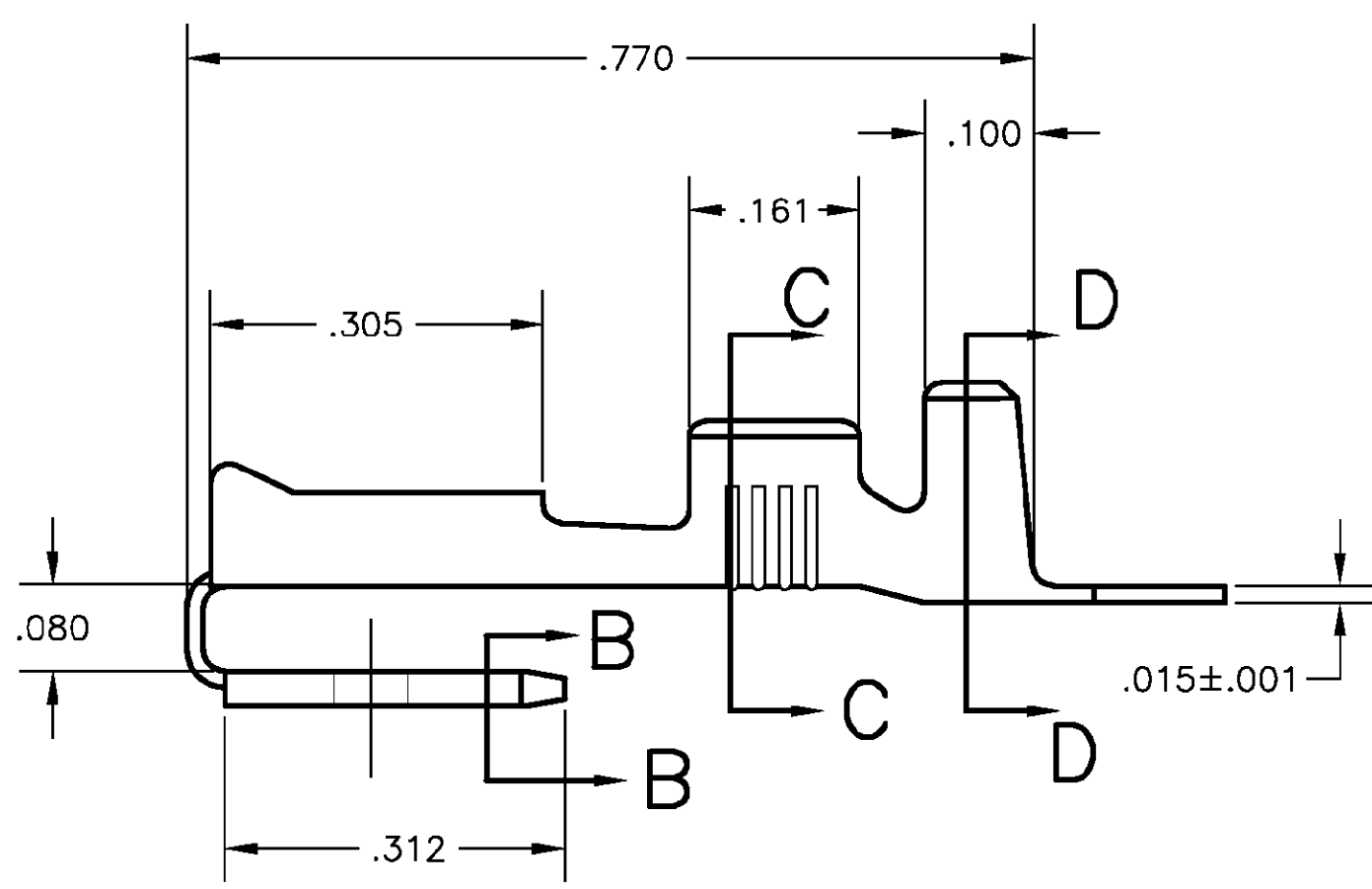
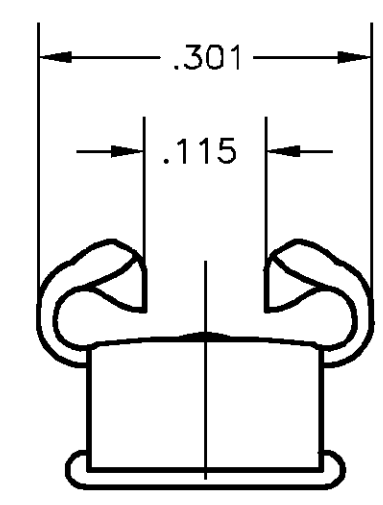
THIS DRAWING IS UNPUBLISHED. RELEASED FOR PUBLICATION  
 © COPYRIGHT BY TYCO ELECTRONICS CORPORATION. ALL RIGHTS RESERVED.

LOC		DIST		REVISIONS			
P	LTR	DESCRIPTION	DATE	DWN	APVD		
AF	50						
	R	REV PER 0G3A-0449-02	26JUL02	JR	PD		

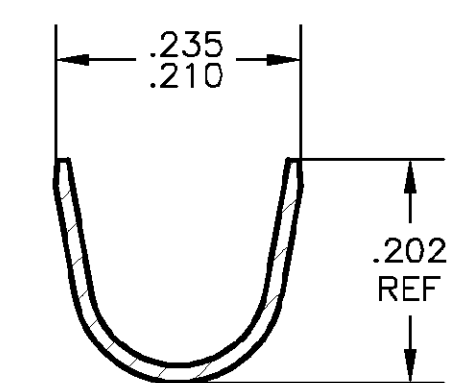
- 1 CONTINUOUS STRIP ON REELS
- 2 MATING TAB THK IS  $.032 \pm .001$ .
- 3 WIRE SIZE IS #18-#14 AWG  
CRIMP WIDTH IS .110, F TYPE
- 4 INSULATION RANGE IS .120-.170 DIA.  
CRIMP WIDTH IS .180, O TYPE



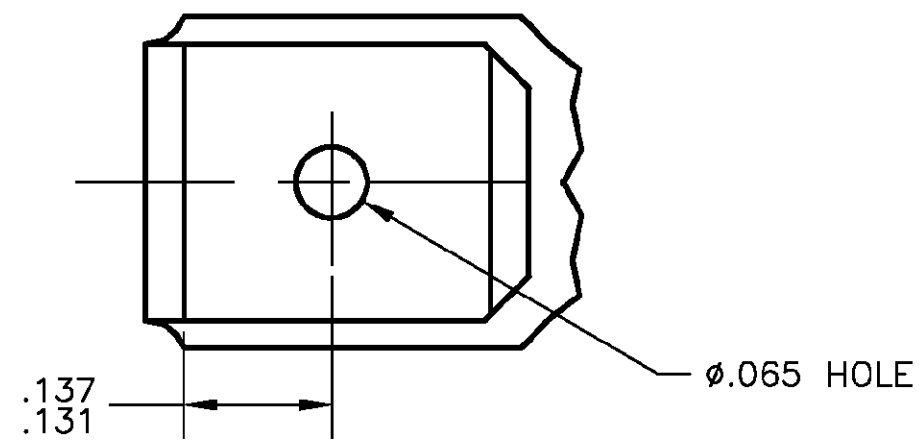
SECTION B-B



SECTION C-C



SECTION D-D



<del>OBSOLETE</del>	SILVER PLATE	61944-4
<del>OBSOLETE</del>	PRE TIN PLATE	61944-3
	TIN PLATE	61944-2
	-	61944-1
	FINISH	PART NO.

THIS DRAWING IS A CONTROLLED DOCUMENT.		DWN JR RUTH 26JUL2002	Tyco Electronics Corporation Harrisburg, PA 17105	
DIMENSIONS: INCHES	TOLERANCES UNLESS OTHERWISE SPECIFIED:	CHK P. DESANTIS 26JUL02	NAME RECEPTACLE, FASTON, PIGGYBACK, 250 SERIES	
	0 PLC ± -	APVD P. DESANTIS 26JUL02	SIZE A2	CAGE CODE 00779
	1 PLC ± -	PRODUCT SPEC	DRAWING NO 61944	RESTRICTED TO
	2 PLC ± -	APPLICATION SPEC	SCALE 6:1	SHEET 1 OF 1
	3 PLC ± .015	114-2082	REV R	
	4 PLC ± -	WEIGHT		
MATERIAL H04 BRASS	FINISH SEE TABLE	CUSTOMER DRAWING		