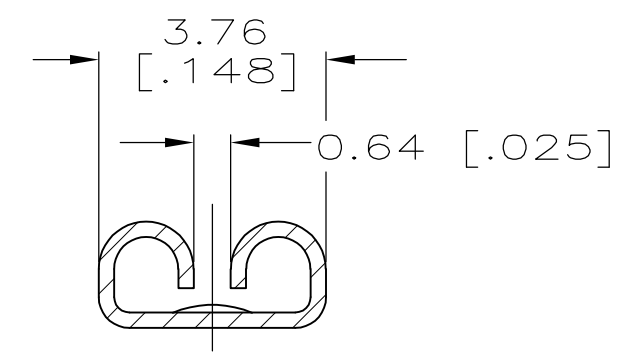
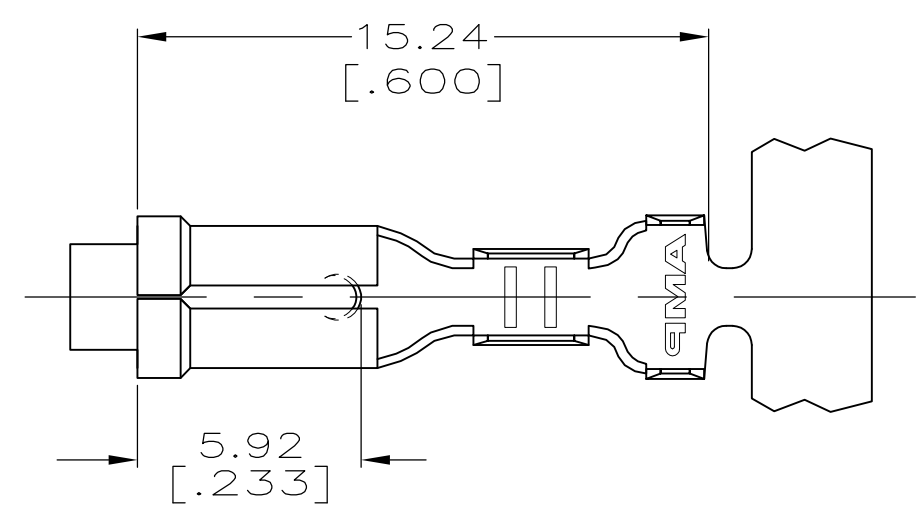


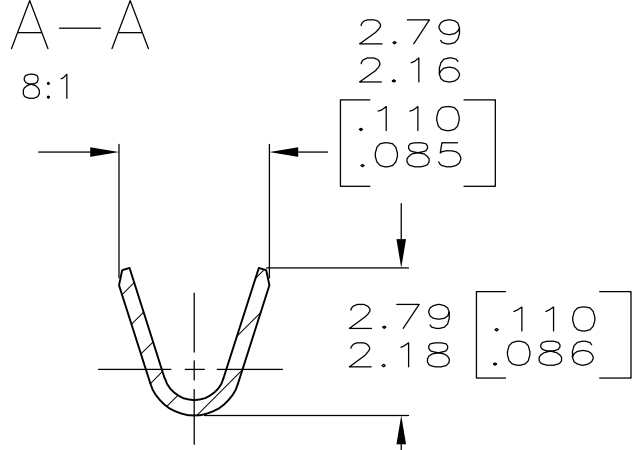
THIS DRAWING IS UNPUBLISHED. RELEASED FOR PUBLICATION
 © COPYRIGHT - By - ALL RIGHTS RESERVED.

LOC	DIST	REVISIONS			
P	LTR	DESCRIPTION	DATE	DWN	APVD
AF	50	G2	REVISED PER ECR-14-004075	24MAR2014	NK RL

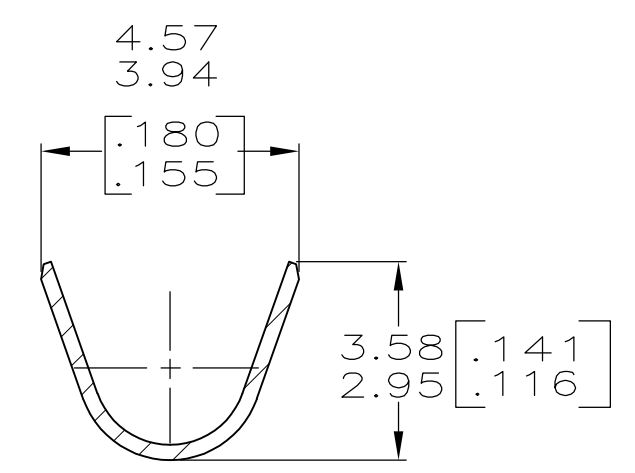
- 1 CONTINUOUS STRIP ON REELS.
- △ FINISH LEAD-FREE, MATTE TIN OVER NICKEL



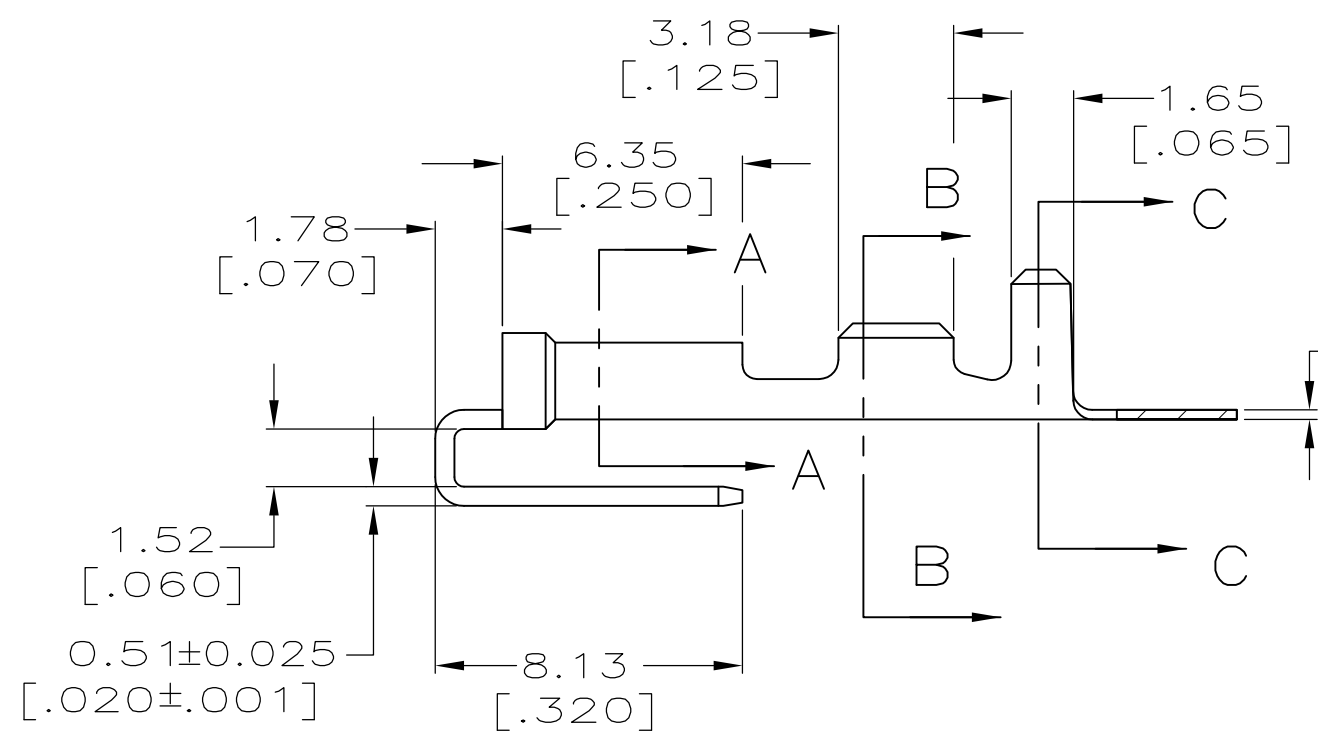
SECTION A-A
SCALE 8:1



SECTION B-B
SCALE 8:1



SECTION C-C
SCALE 8:1



0.25±0.025
[.010±.001]

1.52-2.54 DIA [.060-.100] DIA	[#22-#18] AWG	0.508±0.025 [.020±.001]	△ 2 TIN	62003-4
			-	62003-2
				62003-1
INSULATION RANGE	WIRE SIZE	MATING TAB THICKNESS	FINISH	PART NO

THIS DRAWING IS A CONTROLLED DOCUMENT.		DWN JR RUTH 5/16/95	TE Connectivity		
DIMENSIONS: mm [INCHES]		CHK MS FEHER 5/16/95			
TOLERANCES UNLESS OTHERWISE SPECIFIED:		APVD P DESANTIS 5/16/95	NAME RECEPTACLE, FASTON, PIGGYBACK, 2.79 [.110] SERIES		
		PRODUCT SPEC	RESTRICTED TO		
MATERIAL BRASS		FINISH SEE TABLE	APPLICATION SPEC	SIZE A3	CAGE CODE 00779
		WEIGHT -	DRAWING NO C-62003	SCALE 5:1	SHEET 1 OF 1
		CUSTOMER DRAWING	REV G2		