

Distributed by:

**JAMECO**<sup>®</sup>  
ELECTRONICS

**www.Jameco.com ♦ 1-800-831-4242**

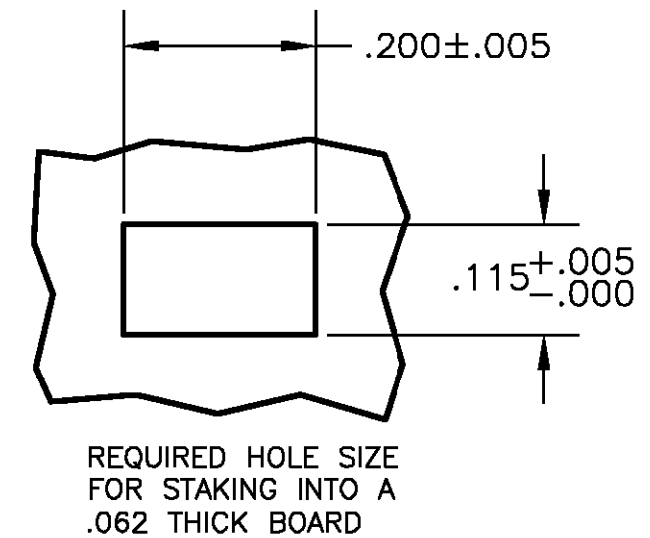
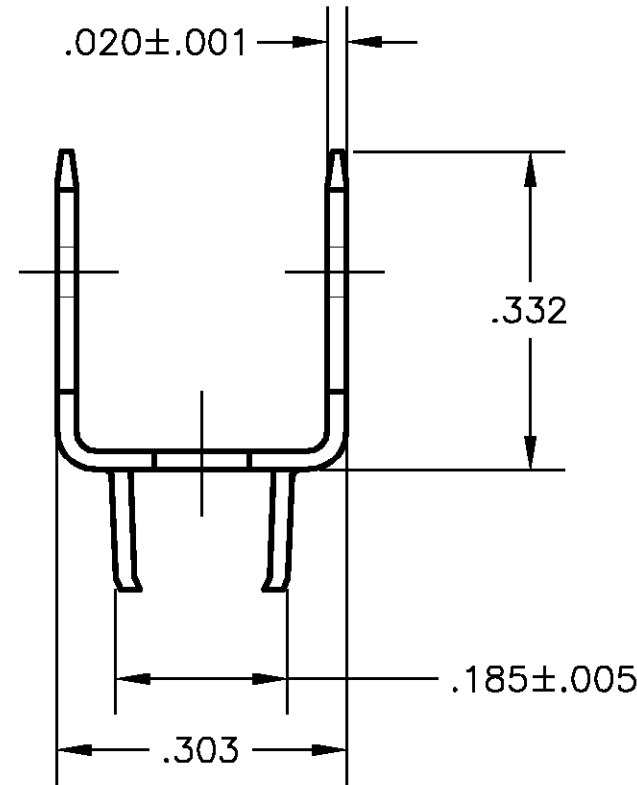
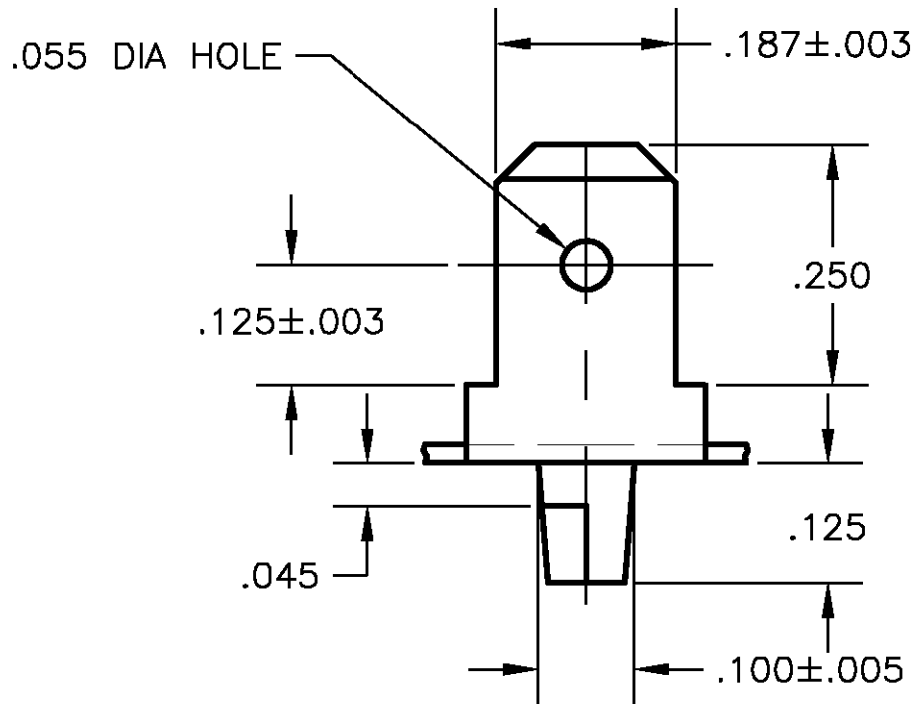
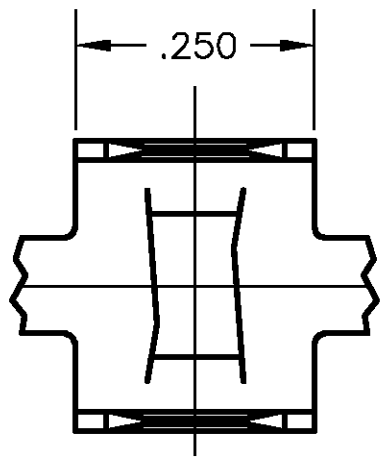
The content and copyrights of the attached  
material are the property of its owner.

Jameco Part Number 963683

THIS DRAWING IS UNPUBLISHED. RELEASED FOR PUBLICATION  
 © COPYRIGHT BY TYCO ELECTRONICS CORPORATION. ALL RIGHTS RESERVED.

LOC	DIST	REVISIONS				
P	LTR	DESCRIPTION	DATE	DWN	APVD	
AF	50	R	REDRAWN PER 0G3A-0181-01	14MAR01	JR ND	

- 1 CONTINUOUS STRIP ON REELS
- ② .000150 MIN TIN PLATE OVER  
.000100 MIN COPPER.



62221-1

PART NO.

THIS DRAWING IS A CONTROLLED DOCUMENT.		DWN JR RUTH 14MAR01	Tyco Electronics Corporation Harrisburg, PA. 17057		
DIMENSIONS: INCHES		CHK MS FEHER 14MAR01	NAME TAB, FASTON, DUAL, STAKE, .187 SERIES		
TOLERANCES UNLESS OTHERWISE SPECIFIED:		APVD N DEIBERT 14MAR01	PRODUCT SPEC -		
0 PLC ± - 1 PLC ± - 2 PLC ± - 3 PLC ± .015 4 PLC ± - ANGLES ± -		APPLICATION SPEC -	SIZE A3	CAGE CODE 00779	DRAWING NO C-62221
MATERIAL 081 BRASS	FINISH - ②	WEIGHT -	RESTRICTED TO -		
CUSTOMER DRAWING			SCALE 5:1	SHEET 1 OF 1	REV R