

Distributed by:

JAMECO[®]
ELECTRONICS

www.Jameco.com ♦ 1-800-831-4242

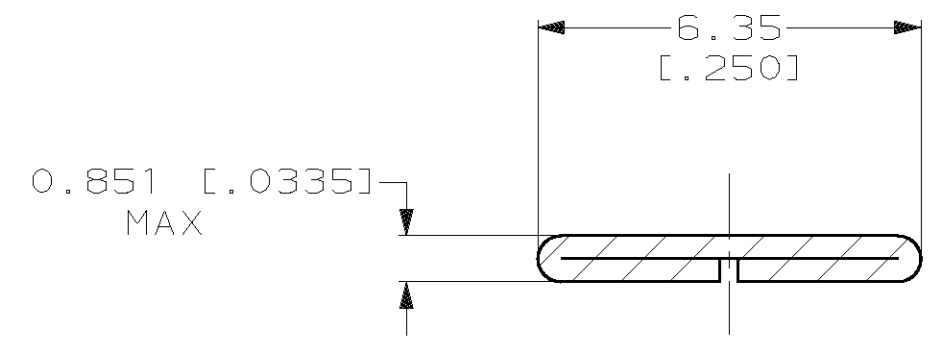
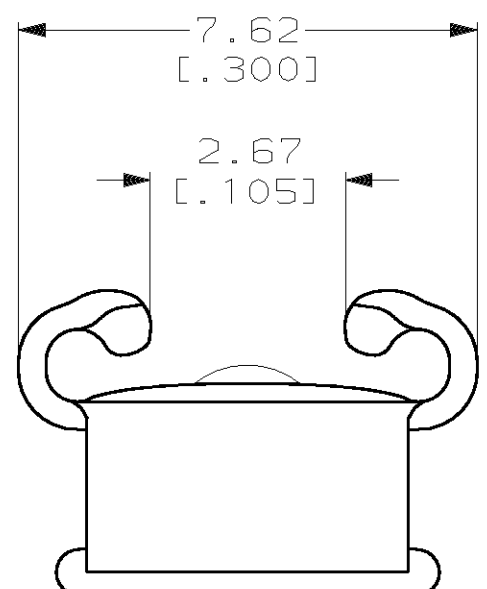
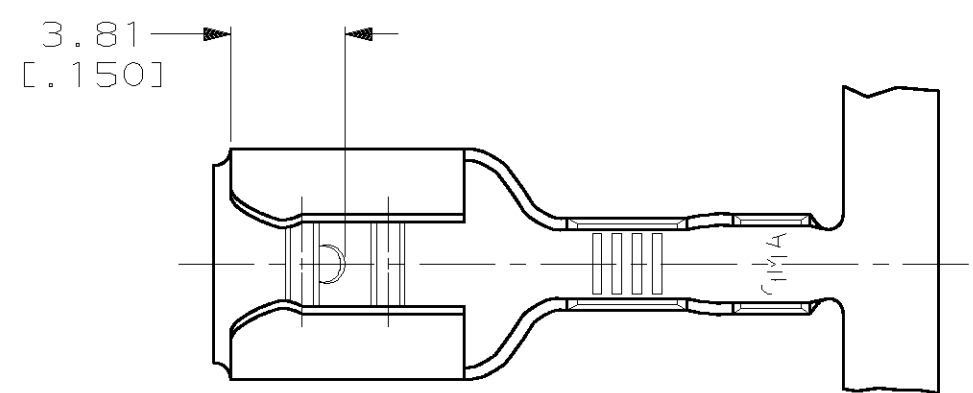
The content and copyrights of the attached
material are the property of its owner.

Jameco Part Number 963747

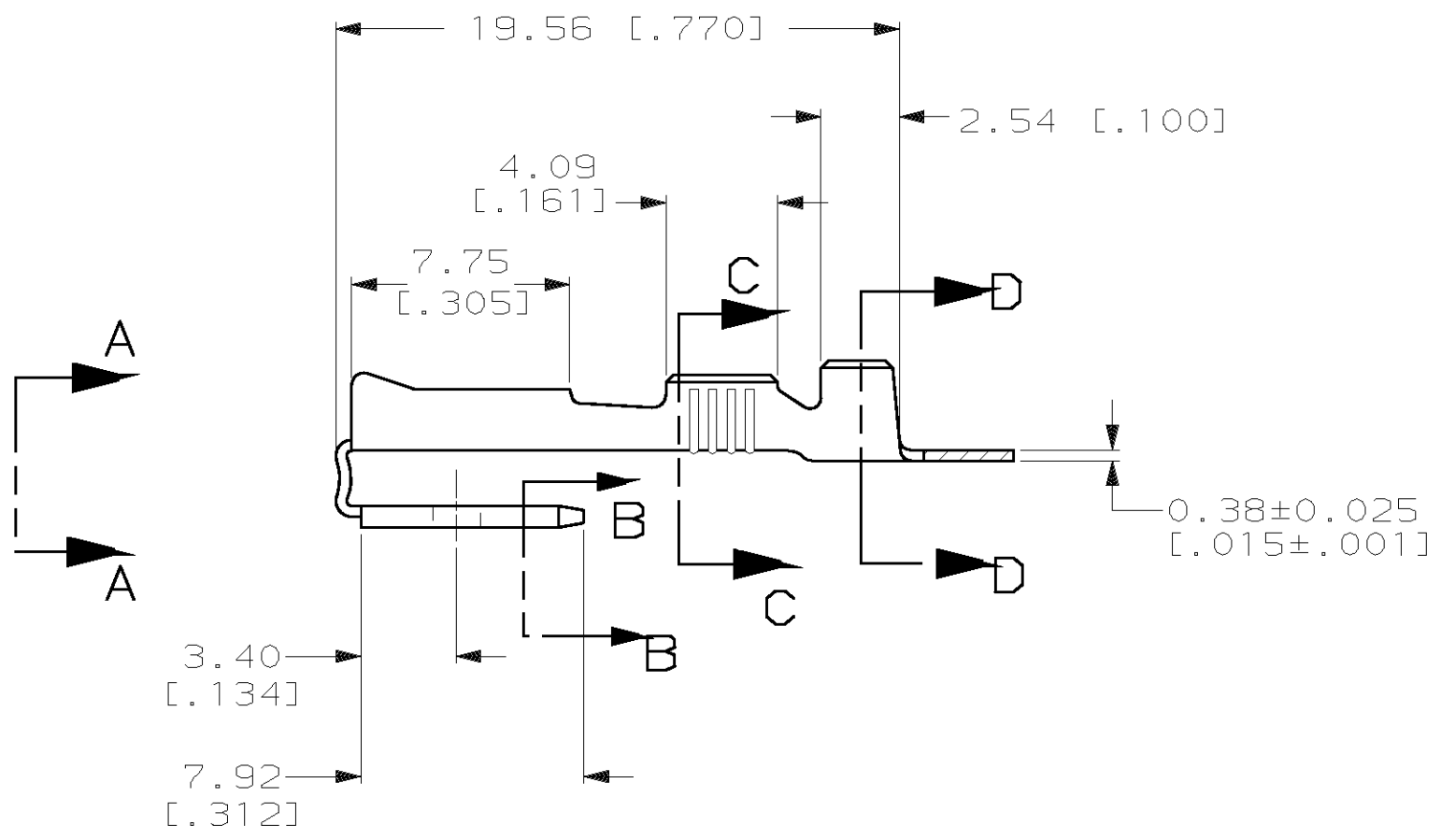
THIS DRAWING IS UNPUBLISHED. RELEASED FOR PUBLICATION
 © COPYRIGHT 19 BY AMP INCORPORATED. ALL INTERNATIONAL RIGHTS RESERVED.

LOC		DIST		P		F		REVISIONS		DATE	APPD
ZONE	LTR	DESCRIPTION									
AF	50					G	REV PER 0G3A-0302-00	09MAY00	JR/PD		

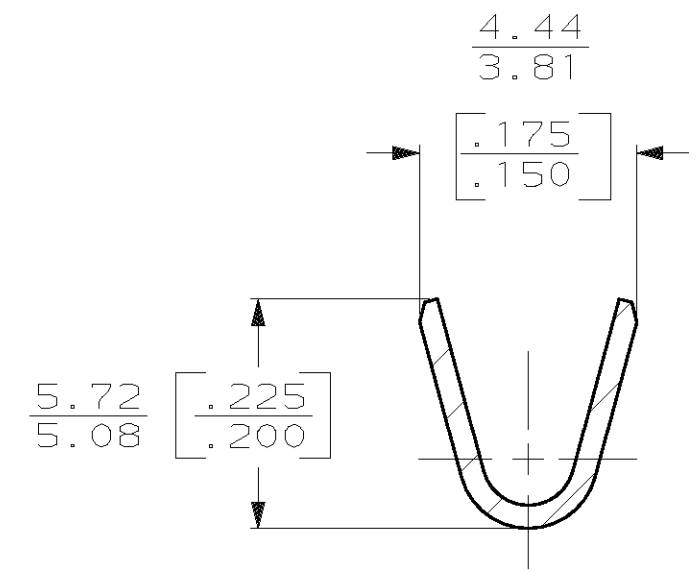
- CONTINUOUS STRIP ON REELS
- MATING TAB THK TO BE 0.81 ± 0.025 [0.032 ± 0.001]
- WIRE SIZE IS #14-#10 AWG.
- INSULATION RANGE IS 3.81-5.08 [0.150 - 0.200] DIA.



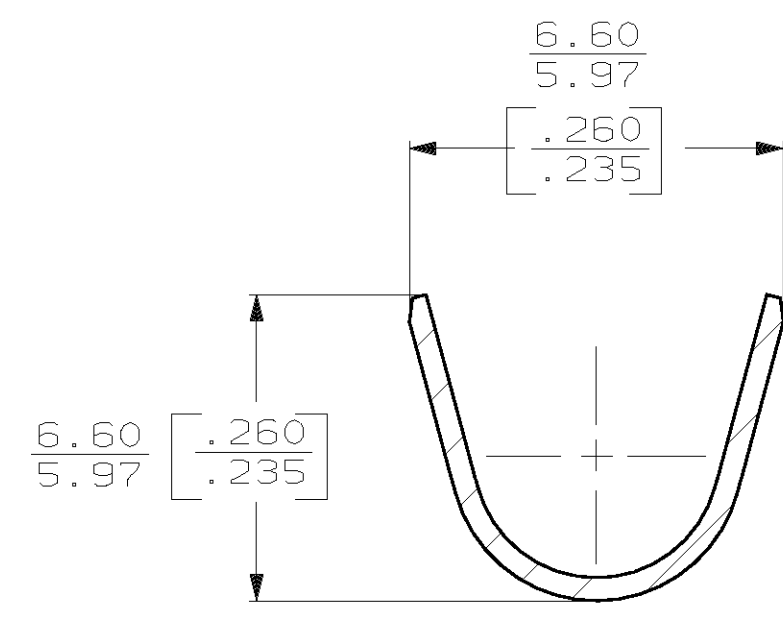
SECTION B-B
SCALE 8:1



VIEW A-A
SCALE 8:1



SECTION C-C
SCALE 8:1



SECTION D-D
SCALE 8:1

FINISH	MATERIAL	PART NO
TIN	#4H BRASS	62253-2
-	#4H BRASS	62253-1

TYPE	WIDTH	STRIP LENGTH	TYPE	WIDTH	HEIGHT	WIRE
INSUL BARREL CRIMP	5.59 [.220]	5.59 [.220]	WIRE BARREL CRIMP	3.30 [.130]	2.82 [.111]	10
					2.31 [.091]	12
					2.00 [.079]	14

DO NOT SCALE PRINT. UNLESS SPECIFIED DIMENSIONS ARE IN MM [INCHES]	DR 7/12/89 JR RUTH
TOLERANCES ON:	CHK 7/12/89 MS FEHER
2 PLC DEC ± -	APPD 7/12/89 C MEYERS
3 PLC DEC ± 0.38 [.015]	APPD 7/12/89 R KUZO
ANGLES ± -	PRODUCT SPEC
MATERIAL	SEE TABLE
FINISH	SEE TABLE
APPLICATION SPEC	114-2082
WEIGHT	-

AMP INCORPORATED Harrisburg, Pa. 17105		
NAME		
RECEPTACLE, FASTON™ PIGGYBACK, 6.35 [.250] SERIES		
SIZE	CAGE CODE	DRAWING NO
C	00779	62253
SCALE	4:1	SHEET
		1 OF 1