

THIS DRAWING IS UNPUBLISHED.

RELEASED FOR PUBLICATION

ALL RIGHTS RESERVED.

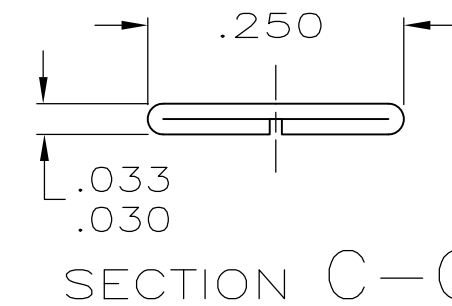
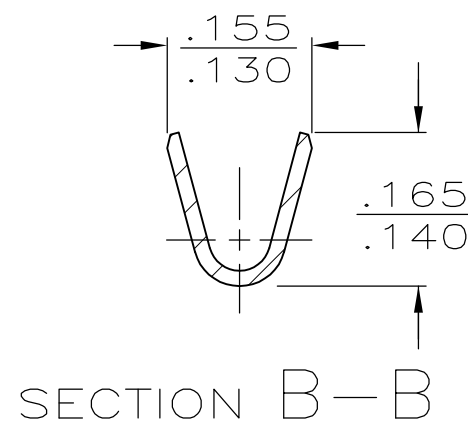
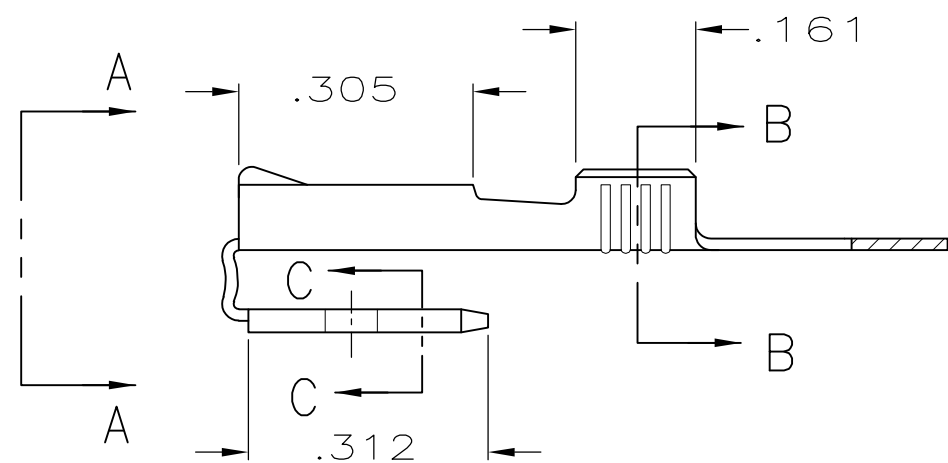
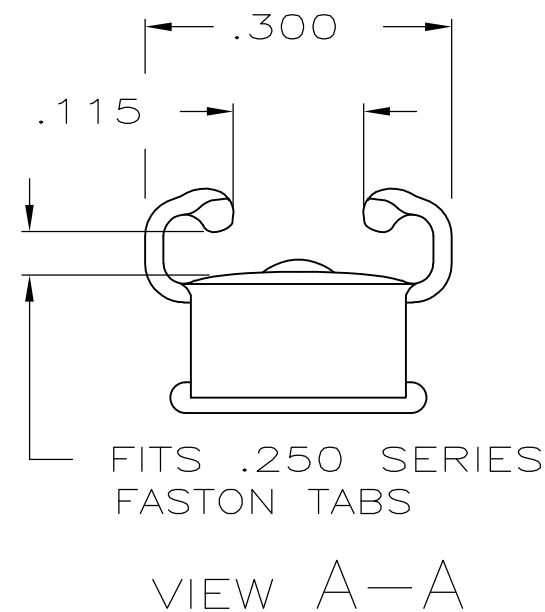
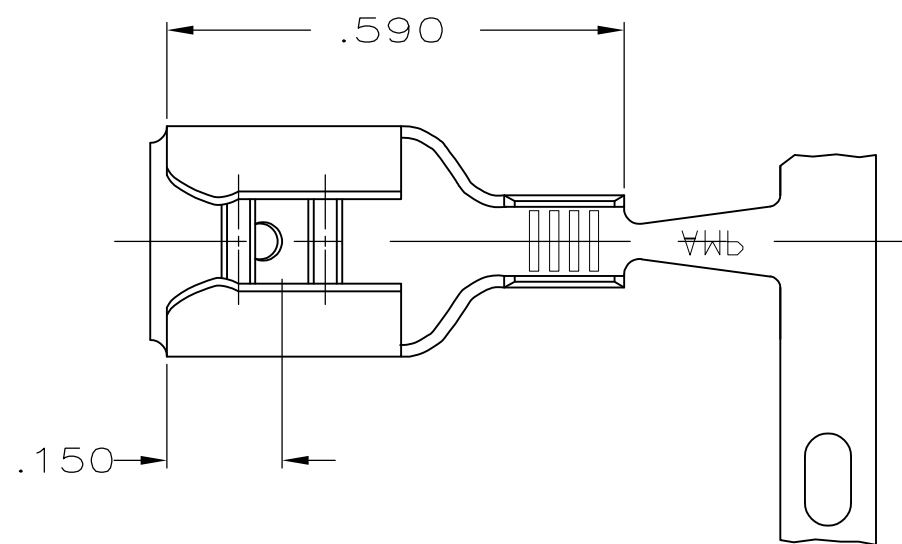
© COPYRIGHT - By -

LOC AF DIST 50

REVISIONS

P	LTR	DESCRIPTION	DATE	DWN	APVD
G		REVISED PER ECR-12-013459	27NOV2012	KH	PD

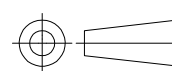
1 CONTINUOUS STRIP ON REELS.



18-14	.032 ±.001	62276-1
WIRE SIZE	TAB THK.	PART NO

THIS DRAWING IS A CONTROLLED DOCUMENT.

DIMENSIONS: INCHES



TOLERANCES UNLESS OTHERWISE SPECIFIED:	
0 PLC	± -
1 PLC	± -
2 PLC	± -
3 PLC	± .015
4 PLC	± -
ANGLES	± -

MATERIAL BRASS

FINISH PRE-TIN

DWN	JR RUTH	5/28/86
CHK	G YETTER	5/28/86
APVD	C MEYERS	5/28/86
PRODUCT SPEC	-	
APPLICATION SPEC	114-2082	
WEIGHT	-	

TE Connectivity			NAME .250 SERIES FASTON PIGGY-BACK RECEPTACLE			
						SIZE
CUSTOMER DRAWING			A3	00779	C-62276	-
SCALE 4:1			SHEET 1 OF 1	REV G		