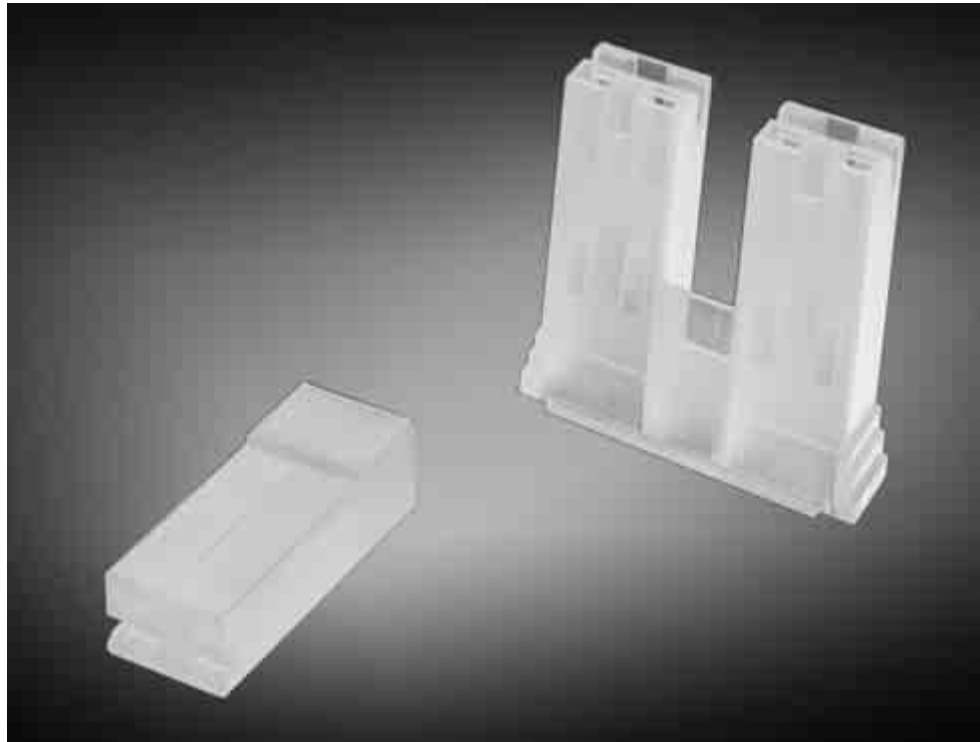


FASTON Housings

Product Facts

- Straight, right-angle, multiple position and special application housings available
- Various materials and temperature ratings available
- Accept FASTON receptacles
- Special application housings include microswitch, gas valve, wax motor and water valve housings
- Available in .250, .205, .187 and .110 Series
- Translucent plastic insulating sleeves in both straight and flag configurations

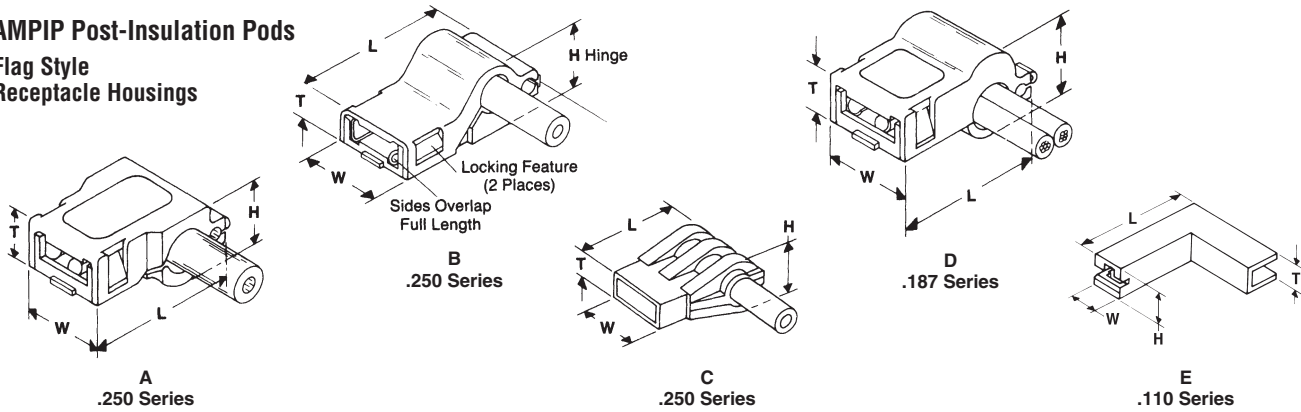


FASTON housings are designed to be used with the FASTON terminal line. They come in sizes ranging from .250, .205, .187 and .110 and are available in multiple positions and configurations. Included in this line are special connectors, including water valve connectors,

microswitch connectors, gas valve connectors, and various other special application connectors. Many of these housings are available in both V-2 and V-0 rated materials. Translucent plastic insulating sleeves are available for use with FASTON receptacles and flags.

FASTON Housings (Continued)

**AMPIP Post-Insulation Pods
Flag Style
Receptacle Housings**

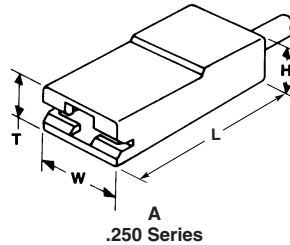


Style	Material	UL 94 ¹	Color	Insulation Dia. Max.	Dimensions					Part Number	Type	Accepts Terminal	UL	SP
					L	T	W	H	H					
A	Nylon	V2	Natural	.210 5.33	.787	.266	.448	.360	1-480298-0	Continuous Strip	"250" Series Flag FASTON Tab-Lok Receptacles 41531, 41532, 42511, 61156, 63445	X	X	
					19.99	6.76	11.38	9.14	1-480307-1					
					.210 5.33	.787	.266	.448	.360					1-480307-7
B	Nylon	V2	Natural	.140 3.56 (2) .110 2.79	.732	.180	.460	.315	1-480296-0	Continuous Strip	"250" Series Flag FASTON Commercial Receptacle 60290, 60736, 62418	X	X	
					18.59	4.57	11.68	8.00	1-480306-1					Loose Piece
C	Vinyl	HB	Blue	.150 3.81	.710 18.03	.210 5.33	.380 9.65	.400 10.16	480019-6	Loose Piece	"250" Series F-Crimp Flag FASTON	—	—	
D	Nylon	V2	Natural	.175 4.45	.699 17.75	.230 5.84	.430 10.92	.320 8.13	1-480487-2	Loose Piece	"187" Series Tab-Lok Flag FASTON ²	X	—	
E	Nylon	V2	Natural	—	.550 13.97	.205 5.21	.225 5.72	.200 5.08	360040-1	Loose Piece	"110" Series FASTON 61070, 61481, 62336	X	X	

¹ Flammability rating of plastic material.

² Does not accept commercial series.

**Straight Style
Receptacle Housing**



Style	Type	Material	UL 94 ¹	Color	Insulation Dia. Max.	Dimensions					Part Number	Accepts Terminal	UL	SP
						L	T	W	H	H				
A	Loose Piece	Nylon	V2	Natural	.260 6.60	.961	.181	.358	.314	171706-1	"250" Series FASTON Receptacles	X	X	
						24.40	4.60	9.10	8.00	521053-1				
						.224 5.69	1.03	.225	.490	.285				1-480416-0
						26.20	6.70	12.40	7.20	1-480416-7				
						.200 5.08	.920	.280	.390	.298				1-480416-8
						23.37	6.60	9.91	7.57	1-480416-1				
						.200 5.08	.920	.280	.390	.298				280232
						23.37	6.60	9.91	7.57	280232-6				
						.187 4.75	.995	.193	.354	.252				336369-1
						25.30	4.90	9.00	6.40	735075				
						.169 4.30	.960	.181	.366	.209				
24.40	4.60	9.30	5.30											
Polypropylene	HB	Clear		.161 4.10	.960	.181	.362	.209		X	—			
				4.10	24.40	4.60	9.20	5.30		X	—			

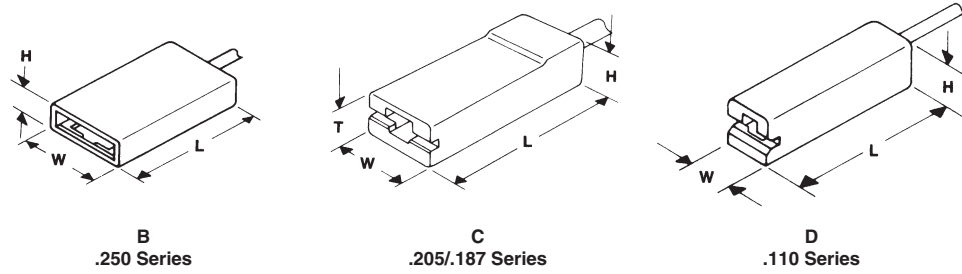
¹ Flammability rating of plastic material.

Note: All part numbers are RoHS compliant.

FASTON Housings (Continued)

AMPIP Post-Insulation Pods (Continued)

Straight Style Receptacle Housing (Continued)

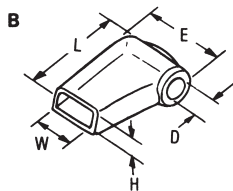
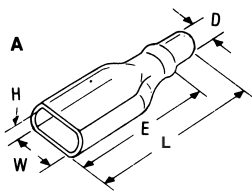


Style	Type	Material	UL 94 ¹	Color	Insulation Dia. Max.	Dimensions				Part Number	Accepts Terminal	UL	CS®
						L	T	W	H				
B	Loose Piece	Nylon	V2	Natural	.125 3.18	.955 24.26	—	.570 14.48	.190 4.83	1-480458-0	"250" Series FASTON Economy Receptacles 42660, 42743, 42845, 61202	X	X
					.180 4.57	.775 19.69	.225 5.72	.338 8.59	.245 6.22				
C	Loose Piece	Nylon	V2	Natural	.170 4.32	.775 19.69	.215 5.46	.308 7.82	.235 5.97	1-480435-0	"187" Series FASTON Receptacles 42373, 42374, 42452, 42453, 42617, 60487, 60573, 62137, 62138, 62187, 63475, 63477	X	X
					.150 3.81	.790 20.07	—	.235 5.97	.240 6.10				
D	Loose Piece	Nylon	V2	Black	.150 3.81	.790 20.07	—	.235 5.97	.240 6.10	1-480417-1		X	X

¹ Flammability rating of plastic material.

Insulation Sleeves For FASTON Receptacle

Material — Soft Vinyl Chloride Cloudy



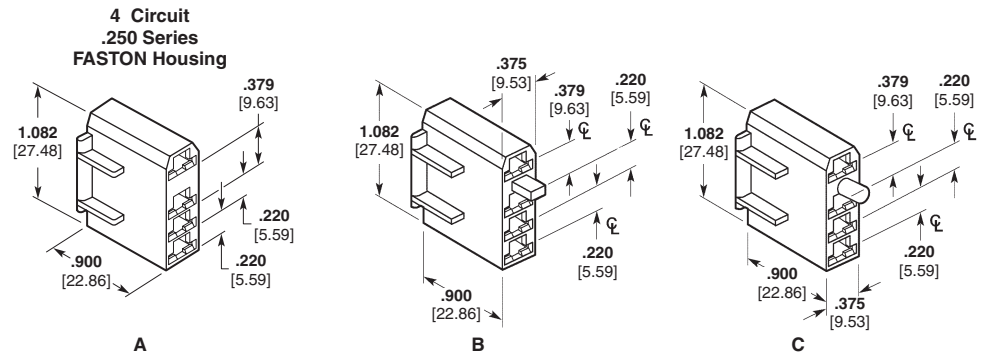
Style	FASTON Series	Dimensions					Part Number	
		D	E	L	W	H		
A	250	.079 2.00	.748 19.00	.945 24.00	.315 8.00	.138 3.50	170823-3	
		.098 2.50					170823-2	
		.126 3.20	.866 22.00	1.06 27.00	.315 8.00	.138 3.50	1-170823-8	
		.787 20.00	.984 25.00				1-170823-5	
		.138 3.50	1.18 30.00	1.38 35.00	.315 8.00	.138 3.50	1-170823-9	
		1.38 35.00	1.57 40.00				2-170823-0	
	B	205	.189 4.80	.787 20.00	.984 25.00	.315 8.00	.138 3.50	170823-6
			.098 2.50	.709 18.00	.906 23.00	.256 6.50	.118 3.00	4-170823-1
		187	.087 2.20	.709 18.00	.906 23.00	.228 5.80	.087 2.20	1-170823-3
			.098 2.50	.591 15.00	.787 20.00	.228 5.80		1-170823-4
		110	.071 1.80	.300 16.00	.827 21.00	.157 4.00	.083 2.10	170823-9
			.098 2.50					170823-1
		250	.126 3.20	.571 14.50	.728 18.50	.335 8.50	.177 4.50	170891-1
			.189 4.80					170891-2
		187	.126 3.20	.488 12.40	.587 14.90	.256 6.50	.118 3.00	3-170823-8

Note: All part numbers are RoHS compliant.

FASTON Housings (Continued)

Multi-Position Housings

.250 [6.35] Series



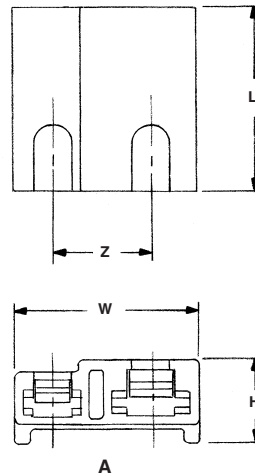
Style	Material	UL 94 ¹	Color	Part Number	Accepts Terminals		
A	Nylon	V2	Black	520987-1	.250 Low Insertion Terminals	X	X
			Natural	520987-2			
			Black	520987-4			
B	Nylon	V2	Black	521065-1	.250 Low Insertion Terminals	X	X
C	Nylon	V2	Black	521066-1	.250 Low Insertion Terminals	X	X

¹ Flammability rating of plastic material.

FASTON Housings

Multi-Position Housings

.187 [4.75]/.250 [6.35] Series



Style	Material	UL 94 ¹	Color	Dimensions				Part Number	Accepts Terminal		
				Z	W	H	L				
A	Nylon	V2	Natural	.400 10.16	.732 18.59	.340 8.64	.715 18.16	520171-1 ²	63306, 63365, 63475, 63477, 63609	X	X
			Black	.400 10.16	.732 18.59	.340 8.64	.715 18.16	520171-2 ²			
			Yellow	.400 10.16	.732 18.59	.340 8.64	.715 18.16	520171-3 ²			

¹ Flammability rating of plastic material.

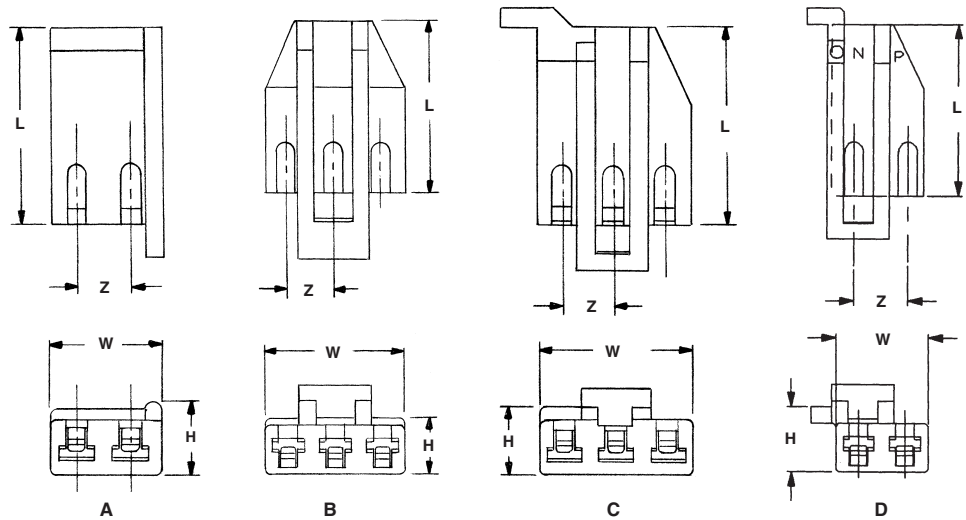
² Accepts (1) .187 [4.75] and (1) .250 [6.35] receptacle.

Note: All part numbers are RoHS compliant.

FASTON Housings (Continued)

Multi-Position Housings

.110 [2.79] Series

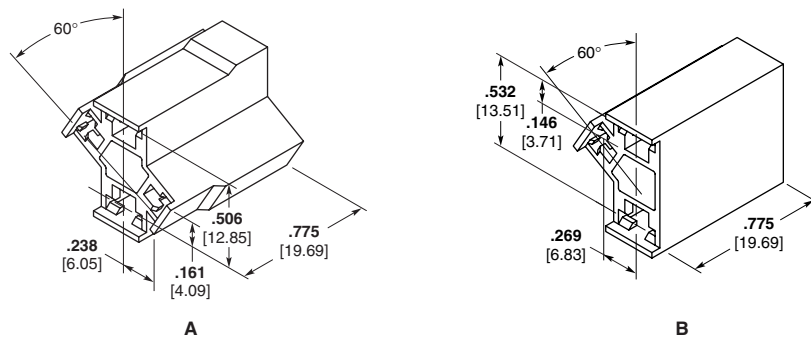


Style	Material	UL 94 ¹	Color	Dimensions				Part Number	Accepts Terminal ²	UL	CS®
				Z	W	H	L				
A	Nylon	V2	Black	.224	.470	.305	.825	520206-2	62942, 63021, 63093	X	X
			Yellow	5.69	11.94	7.75	20.96	520206-3			
D	Nylon	V2	Black	.224	.444	.315	.827	520217-2	62942, 63021, 63093	X	X
			Yellow	5.69	11.28	8.00	21.01	520217-3			
	Polyester	HB	Natural				520217-4				
B	Nylon	V2	Natural	.224	.668	.235	.825	520219-1	62942, 63021, 63093	X	X
			Black	5.69	16.97	5.97	20.96	520219-2			
	Polyester	HB	Black	.224	.668	.235	.825	520219-4			
C	Nylon	V2	Black	.224	.444	.315	.866	520220-2	63093	X	X
				5.69	11.28	8.00	22.00				

¹ Flammability rating of plastic material.
² For dimensions see Tyco Electronics customer drawing.

Housings for Special Applications

Appliance Connectors



Style	Material	UL 94 ¹	Color	Part Number	Accepts Terminals	UL	CS®
A	Nylon	V2	Natural 150°C	521251-1	110/187	X	—
B	Nylon	V2	Natural	520978-1	110/187	X	X
			Natural 150°C	520978-2	110/187	X	X

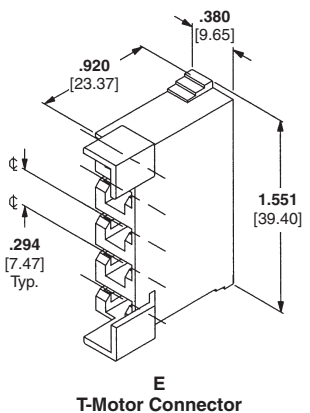
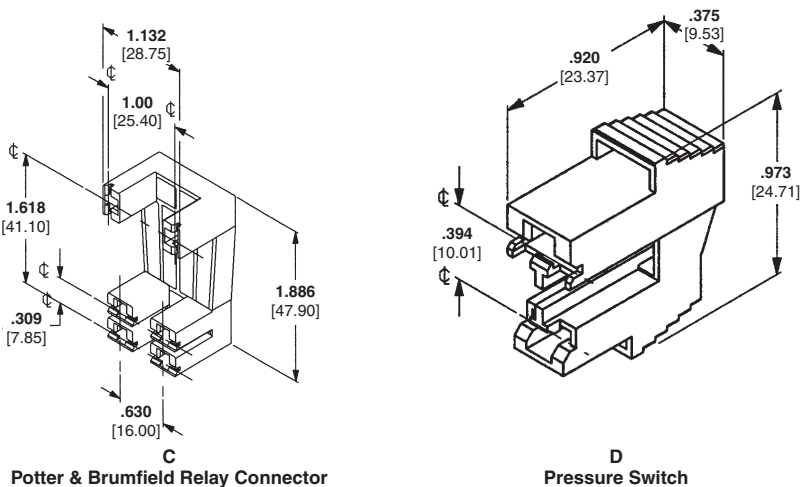
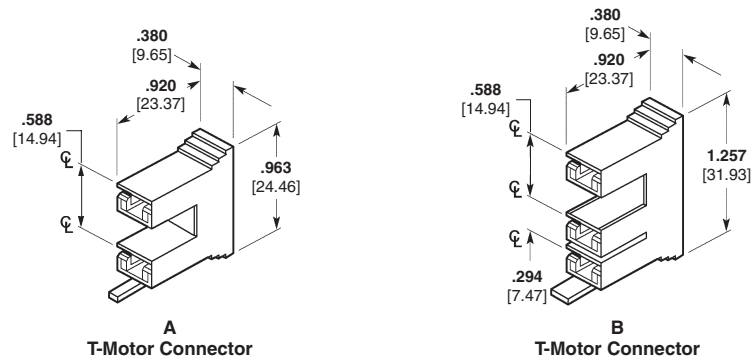
¹ Flammability rating of plastic material.



Note: All part numbers are RoHS compliant.

FASTON Housings (Continued)

Housings for Special Applications (Continued)

Appliance Connectors (Continued)



Style	Material	UL 94 ¹	Color	Part Number	Accepts Terminals		
A	Nylon	V2	Natural	521069-1	250 LIF	X	X
B	Nylon	V2	Black	521070-1	250 LIF	X	X
C	Nylon	V2	Black	521140-1	63981-1	X	X
D	Nylon	V2	Black	521148-1	187 LIF/ 250 LIF	X	X
E	Nylon	V2	Natural	521124-1	250 LIF	X	X

¹ Flammability rating of plastic material.

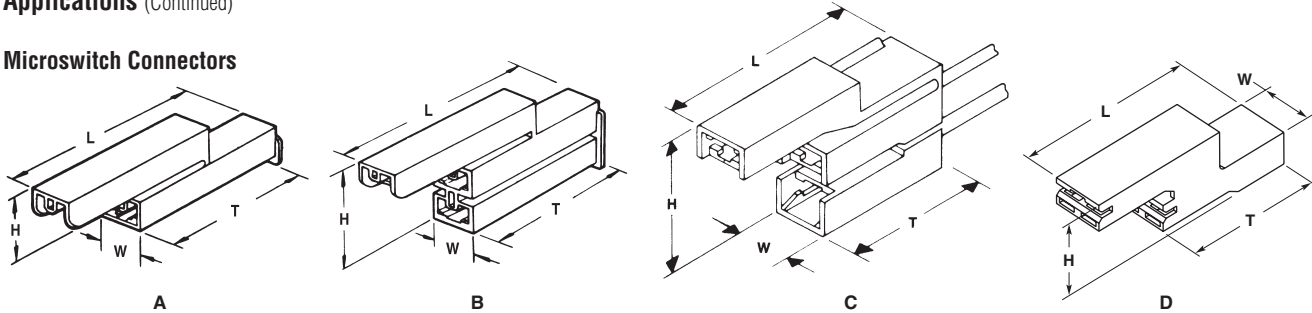
Note: All part numbers are RoHS compliant.

FASTON Housings

FASTON Housings (Continued)

Housings for Special Applications (Continued)

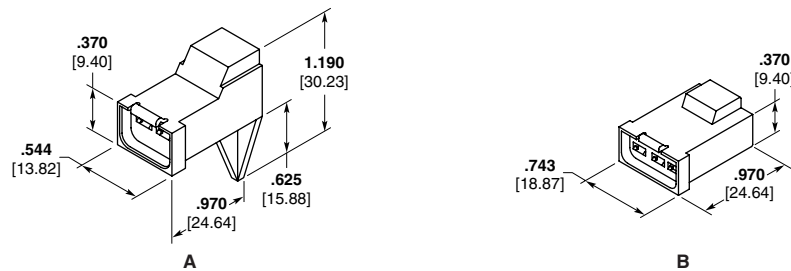
Microswitch Connectors



Style	Type	Material	UL 94 ¹	Color	Insulation Dia. Max.	Dimensions				Part Number	Accepts Terminal	UL	SP
						L	T	W	H				
A	Loose Piece	Nylon	V2	Natural	.157 4.00	1.720 43.70	1.035 26.30	.307 7.80	.520 13.20	174712-1	187 Series MK II Positive Lock Receptacles 170324, 170325, 170326	X	X
			V0	Natural	.157 4.00	1.720 43.70	1.035 26.30	.307 7.80	.520 13.20	1-174712-1			
B	Loose Piece	Nylon	V2	Natural	.157 4.00	1.720 43.70	1.035 26.30	.307 7.80	.770 19.50	172075-1	187 Series MK II Positive Lock Receptacles 170324, 170325, 170326	X	X
			V0	Natural	.157 4.00	1.720 43.70	1.035 26.30	.307 7.80	.770 19.50	1-172075-1			
C	Loose Piece	Nylon	V2	Natural	.170 4.32	1.655 42.04	.845 21.46	.317 8.05	.875 22.23	520212-1	187 Series FASTON Receptacles 42373, 42374, 42452, 42453, 42617, 60487, 60573, 62137, 62187	X	X
				520212-2									
			V0	Natural	520212-3								
			V2	Natural	.170 4.32	1.405 35.69	.845 21.46	.317 8.05	.875 22.23	360010-1			
D	Loose Piece	Nylon	V0	Natural	.195 4.95	1.500 38.10	.981 24.92	.370 9.40	.536 13.61	521955-1	250 Series MK III Positive Lock Receptacles 63993, 63854, 1217092	X	X

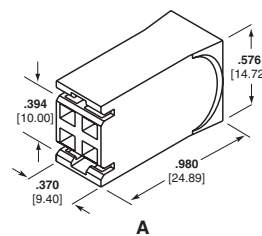
¹ Flammability rating of plastic material.

Gas Valve Connectors



Style	Material	UL 94	Color	Part Number	Accepts Terminal	UL	SP
A	Nylon	V2	Natural	521306-1	1217345-1	X	X
B	Nylon	V2	Natural	521307-1	1217345-1	X	X

Wax Motor Connector



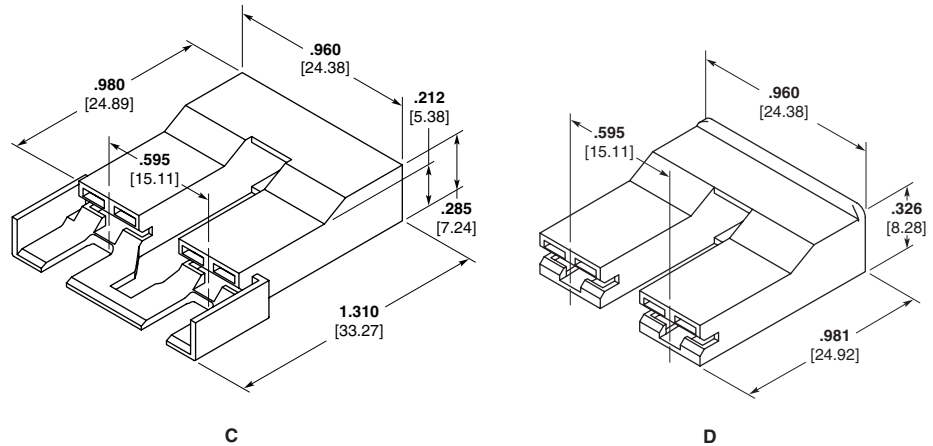
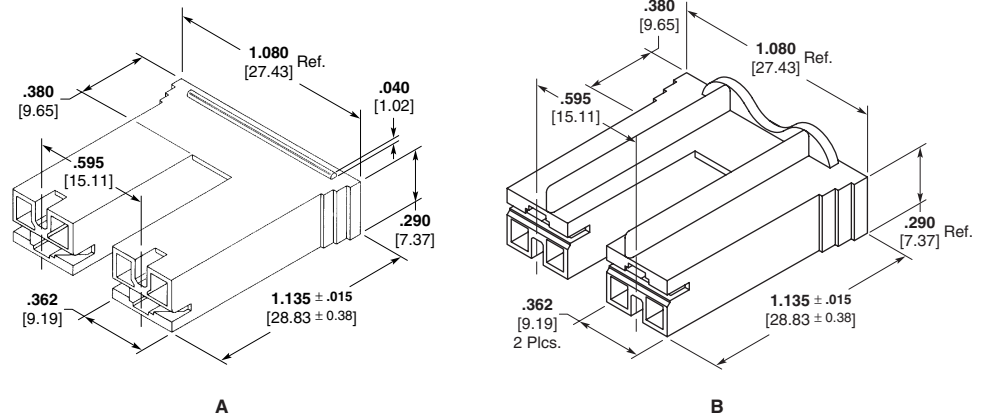
Style	Material	UL 94	Color	Part Number	Accepts Terminal	UL	SP
A	Nylon	V0	Natural	521766-1	250 Series FASTON and Positive Lock Mark III Terminals. Examples include 63306 and 63854.	X	X

Note: All part numbers are RoHS compliant.

FASTON Housings (Continued)

**250 Series
Water Valve Coil Connector**

This connector is designed to mate with the Appliance Industry's Standard Water Valve Coil. The connector is suitable for such applications as washing machine mixing valves, dishwasher fill valves, and refrigerators with automatic ice makers. The housing has a unique internal cavity design to accommodate either two Positive Lock or two Budget and LIF FASTON receptacles.



Product Facts

- Helps prevent terminal back-out of housing through plastic retention feature
- Higher disengagement forces possible with Positive Lock or Low Insertion Force (LIF) FASTON receptacles (Hole required in mating tab)
- Recognized under the Component Program of Underwriters Laboratories, Inc., File Nos. E28476 and E13288.



Style	Material	UL 94 ²	Color ⁴	Part Number	Accepts		
A	Nylon	V2	Natural	520935-1	250 Series FASTON and Positive Lock Mark II Terminals. Examples Include 42400, 42510, 63306, 63097 ¹ , 63119 ¹ , 63239 ¹ , and 170328 ¹	X	X
			Red	520935-2			
			Black	520935-3 ³			
			Green	520935-4			
			Blue	520935-5			
			Yellow	520935-6			
			Brown	520935-7			
V0	Red	1-520935-1	X	X			
	Blue	1-520935-5	X	X			
	Natural	521229-1	X	—			
B	Nylon	V0	Red	521229-2		X	—
			Natural	521588-1		X	—
C	Nylon	V2	Natural	521253-1		X	X
			Red	521253-2		X	X
			Red	1-521253-2	X	X	
			Green	1-521253-3	X	X	
			Blue	1-521253-7	X	X	
D	Nylon	V2	Natural	521119-1	250 Series FASTON and Positive Lock Mark III Terminals. Examples Include 63306 and 63854	X	X
			Putty	521119-2			
			Blue	521119-4			
			Blue	521119-4			

¹ For Positive Lock Mark II Receptacles, refer to pages 75-80.

² Flammability rating of plastic material.

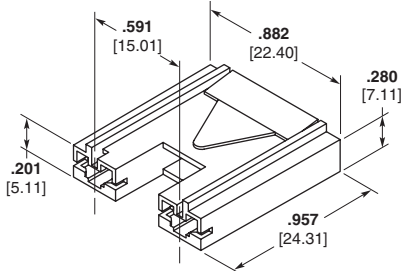
³ Weather resistant material.

⁴ Additional colors available.

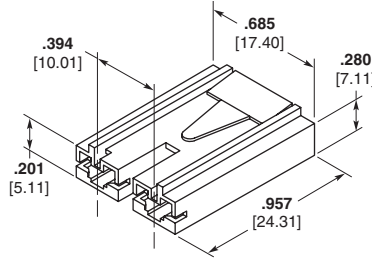
Note: All part numbers are RoHS compliant.

FASTON Housings (Continued)

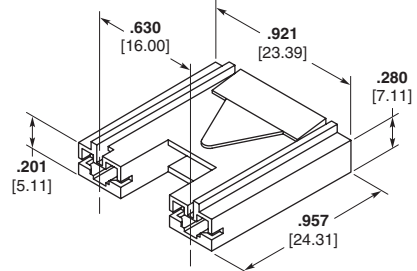
187 Series
Water Valve Coil Connector



A
15mm Centerline



B
10mm Centerline



C
16mm Centerline

Style	Material	UL 94	Color	Part Number	Accepts Terminals
A	Nylon	V0	Natural	176498-1	170324, 170325, 170326
			Black	176498-2	
			Yellow	176498-4	
			Blue	176498-6	
B	Nylon	V0	Natural	179720-1	170324, 170325, 170326
			Black	179720-2	
			Yellow	179720-4	
			Blue	179720-6	
			Red	179720-7	
C	Nylon	V0	Natural	353148-1	170324, 170325, 170326
			Yellow	353148-4	
			Green	353148-5	
			Blue	353148-6	

Note: All part numbers are RoHS compliant.