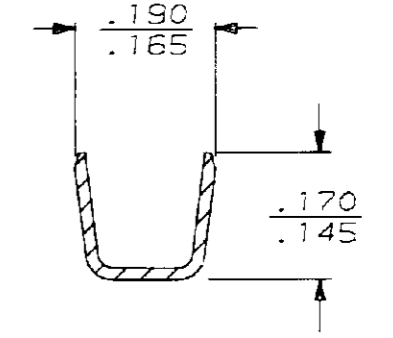
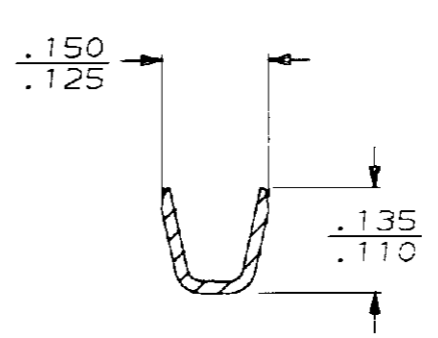


1 - CONTINUOUS STRIP ON REELS.



SECTION A-A

SECTION B-B

.090-.140	22-16	.032	NICKEL	.016 STEEL	62418-3
.090-.140	22-16	.032	TIN	.016 BRASS	62418-2
.090-.140	22-16	.032		.016 BRASS	62418-1
INSUL RANGE	WIRE SIZE	TAB THK ±.001	FINISH	MATERIAL	PART NO

F	.155	.188	F	.090	.067	16
					.060	18
					.056	20
					.054	22
TYPE	WIDTH	STRIP LENGTH ±.015	TYPE	WIDTH	±.002 HEIGHT	WIRE
INSUL BARREL CRIMP			WIRE BARREL CRIMP			

UNLESS OTHERWISE SPECIFIED DIMENSIONS ARE IN INCHES
TOLERANCES ON:
2 PL DEC ± _____
3 PL DEC ± .015
ANGLES ± _____

DR JR RUTH 10-7-85
CHK G YETTER 10-18-85
APPD C MEYERS 10-21-85
APPD R KUZO 10-29-85

AMP AMP INCORPORATED
HARRISBURG, Pa. 17105

NAME: .250 SERIES FLAG FASTON RECEPTACLE

SIZE: **B** FSCM NO: 00779 DRAWING NO: 62418

APPLICATION SPEC: 114-2079

WEIGHT: _____ SCALE: NTS SHEET: 1 OF 1