

Distributed by:

**JAMECO**<sup>®</sup>  
ELECTRONICS

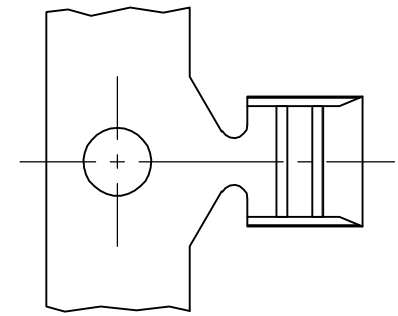
**www.Jameco.com ♦ 1-800-831-4242**

The content and copyrights of the attached  
material are the property of its owner.

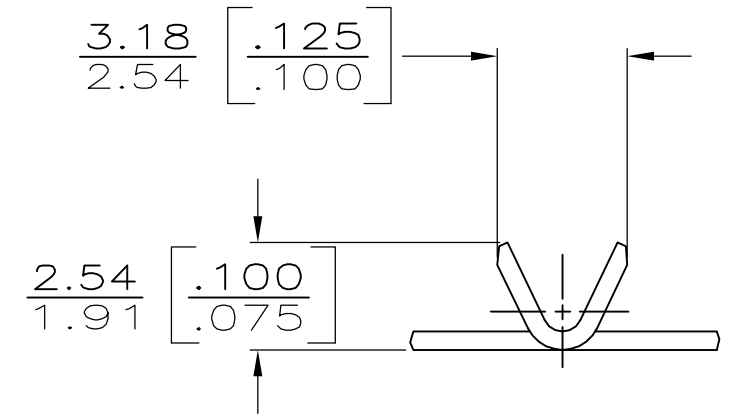
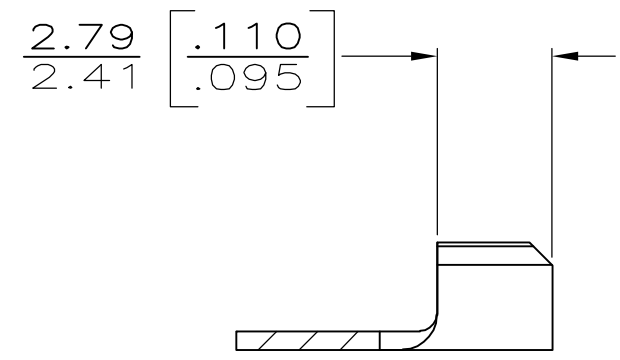
Jameco Part Number 964643

THIS DRAWING IS UNPUBLISHED. RELEASED FOR PUBLICATION  
 © COPYRIGHT BY TYCO ELECTRONICS CORPORATION. ALL RIGHTS RESERVED.

LOC	DIST	REVISIONS					
AF	50	P	LTR	DESCRIPTION	DATE	DWN	APVD
			P2	REVISED PER ECR-05-012571	14NOV05	MF	GP



- 1 CONTINUOUS STRIP ON REEL
- △ 2 TIN PL 0.002032[.000080] MIN  
THK PER MIL-T-10727
- △ 3 NICKEL PL 0.00508[.000200] MIN  
THK PER QQ-N-290
- 4 WIRE SIZE IS 0.2-0.6mm sq.  
[400 & 1300] CMA  
CRIMP WIDTH:: 1.78 [.070] , F TYPE  
CRIMP HEIGHT ±0.05 [.002] =( TOTAL CMA + 4700 ) / 112,100  
FOR APPLICATOR INFO CALL, 1-800-722-1111  
FOR PRODUCT INFO CALL: 1-800-522-6752
- 5 WIRE RANGE FOR NEW APPLICATIONS: 400-1300 CMA  
(WIRE RANGE APPROVED FOR APPLICATIONS IMPLEMENTED  
PRIOR TO 2005: 400-1600 CMA).



	NONE	0.41[.016] STEEL	62759-5
OBSOLETE	△ 2	0.41[.016] STEEL	62759-4
OBSOLETE	△ 3	0.41[.016] CRS	62759-3
	△ 2	.041[.016] BRASS	62759-2
	NONE	.041[.016] BRASS	62759-1
	FINISH	MATERIAL	P/N

THIS DRAWING IS A CONTROLLED DOCUMENT.		DWN DK SCHRUM 9/14/90	Tyco Electronics Corporation Harrisburg, PA 17105-3608	
DIMENSIONS: INCHES		CHK JR RUTH 9/24/90		
		APVD R WEAVILL 9/24/90	NAME SPLICE	
TOLERANCES UNLESS OTHERWISE SPECIFIED:		PRODUCT SPEC	-	
0 PLC ± -		APPLICATION SPEC	-	
1 PLC ± -		WEIGHT -	SIZE A3	CAGE CODE 00779
2 PLC ± 0.38[.015]			DRAWING NO C-62759	RESTRICTED TO -
3 PLC ± -			CUSTOMER DRAWING	
4 PLC ± -			SCALE 6:1	SHEET 1 of 1
ANGLES ± -			REV P2	
MATERIAL SEE TABLE	FINISH SEE TABLE			