

Distributed by:

JAMECO[®]
ELECTRONICS

www.Jameco.com ♦ 1-800-831-4242

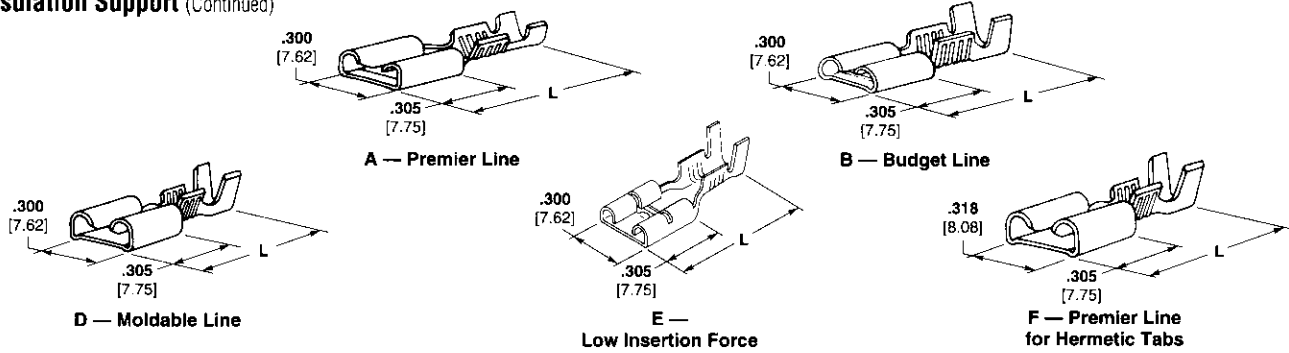
The content and copyrights of the attached
material are the property of its owner.

Jameco Part Number 1975601

250 Series Receptacles (Continued)

**Straight Receptacles,
Insulation Support** (Continued)

FASTON Receptacles



Wire Range AWG	Style	Tab Fit	Insulation Diameter	Material and Finish	Stock Thickness	L (Overall Length)	UL	UL	CSA	Terminal Part Number
18-14	E	.032 0.81	.120-.170 3.05-4.32	Brass	.016 0.41	.755 19.18	X	—	X	63306-1
		.032 0.81	.120-.170 3.05-4.32	Brass, Tin Plated	.016 0.41	.755 19.18	X	—	X	63306-2
	F	.032 0.81	.120-.170 3.05-4.32	Brass	.018 0.46	.750 19.05	X	—	X	62500-1 ⁸
		.032 0.81	.120-.170 3.05-4.32	Brass, Tin Plated	.018 0.46	.750 19.05	X	—	X	62500-2 ⁸
		.032 0.81	.120-.170 3.05-4.32	Phos Brz, Tin Plated	.018 0.46	.750 19.05	X	—	X	41774 ⁹
		.032 0.81	.120-.170 3.05-4.32	Phos Brz, Tin Plated	.018 0.46	.750 19.05	X	—	X	41774 ⁹
16-12 (2) 16	B	.032 0.81	.160-.210 4.06-5.33 (2) .130 3.30	Brass	.016 0.41	.750 19.05	X	—	X	63896-1
16-12	A	.032 0.81	.210-.265 5.33-6.73	Steel, Nickel Plated	.018 0.46	.830 21.08	—	X	X	42579-1
16-12 (2) 18	A	.032 0.81	.210-.265 5.33-6.73 (2) .120 3.05 Max.	Brass	.018 0.46	.820 20.93	X	—	X	41727
		.032 0.81	.210-.265 5.33-6.73 (2) .120 3.05 Max.	Brass, Tin Plated	.018 0.46	.820 20.93	X	—	X	41728
	E	.032 0.81	.210-.265 5.33-6.73 (2) .120 3.05 Max.	Brass	.018 0.46	.755 19.18	X	—	X	63757-1
		.032 0.81	.210-.265 5.33-6.73 (2) .120 3.05 Max.	Steel, Nickel Plated	.018 0.46	.755 19.18	X	—	X	63757-2
14-10	A	.032 0.81	.150 3.81	Brass	.018 0.46	.770 19.56	X	—	X	41449 ⁴
		.032 0.81	.150 3.81	Brass, Tin Plated	.018 0.46	.770 19.56	X	—	X	41450 ⁴
	B	.032 0.81	.150-200 3.81-5.08	Brass, Silver Plated	.018 0.46	.750 19.05	X	—	X	61095-1 ⁴
		.032 0.81	.150-200 3.81-5.08	Brass, Silver Plated	.018 0.46	.755 19.18	X	—	X	63435-1 ^{4,7}
	E	.032 0.81	.150-200 3.81-5.08	Brass	.018 0.46	.775 19.69	X	—	X	63365-1 ⁴
		.032 0.81	.150-200 3.81-5.08	Brass, Tin Plated	.018 0.46	.775 19.69	X	—	X	63365-2 ⁴
	F	.032 0.81	.150-200 3.81-5.08	Brass, Tin Plated	.018 0.46	.770 19.56	X	—	X	42437-2 ^{4,8}
		.032 0.81	.150-200 3.81-5.08	Phos Brz, Tin Plated	.018 0.46	.770 19.56	X	—	X	42437-5 ^{4,9}
14-10 (2) 14	A	.032 0.81	.225-.275 5.72-6.99	Brass, Tin Plated	.018 0.46	.775 19.69	X	—	X	60635-1 ⁴
			(2) .140 3.56	Brass, Silver Plated	.018 0.46	.775 19.69	X	—	X	60635-2 ⁴
			(2) .140 3.56	Brass	.018 0.46	.775 19.69	X	—	X	60635-3 ⁴
	D	.032 0.81	.225-.275 5.72-6.99 (2) .140 3.56	Brass, Tin Plated	.018 0.46	.750 19.05	—	—	—	63419-1 ^{4,7}

¹ UL listed and CSA certified for 22 AWG.

² UL listed and CSA certified for 22-20 AWG.

³ Mates with a .020 [0.51] thick tab.

⁴ 9,600 CMA max.

⁵ UL/CSA - 10 AWG only.

⁶ .012 [.030] stock (multiple circuit housings).

⁷ Stress relieved.

⁸ Recommended for external use only.

⁹ Recommended for internal or external use.