

Distributed by:

JAMECO[®]
ELECTRONICS

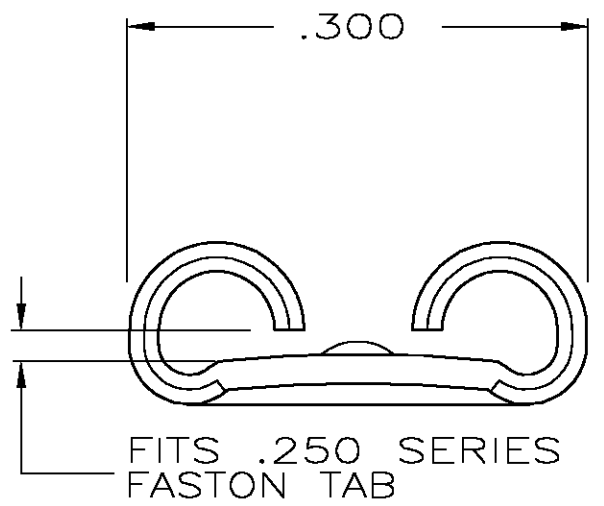
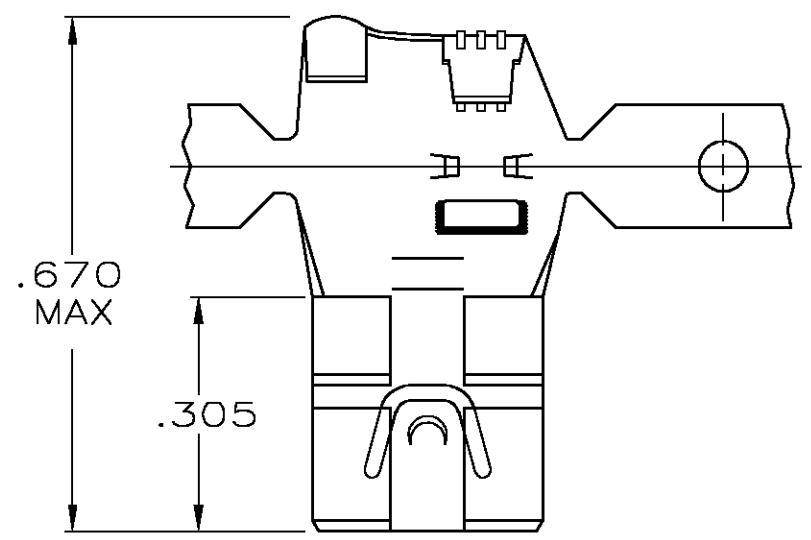
www.Jameco.com ♦ 1-800-831-4242

The content and copyrights of the attached
material are the property of its owner.

Jameco Part Number 964854

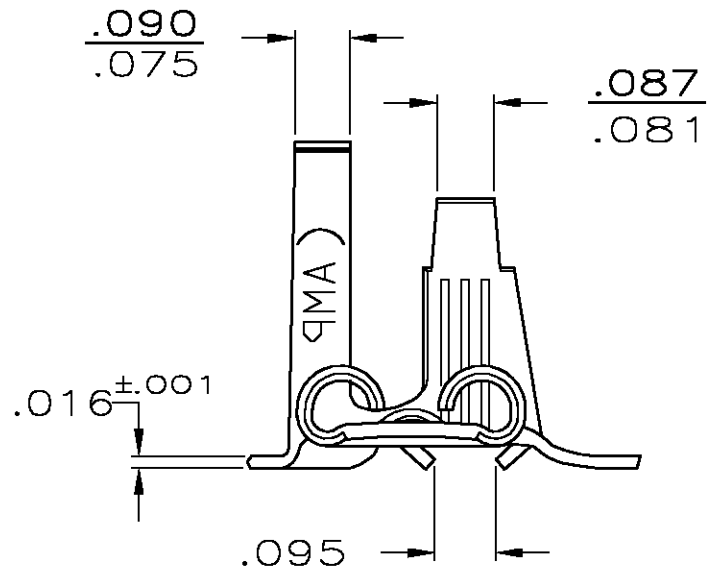
THIS DRAWING IS UNPUBLISHED. RELEASED FOR PUBLICATION
 © COPYRIGHT - BY TYCO ELECTRONICS CORPORATION. ALL RIGHTS RESERVED.

LOC	DIST	REVISIONS					
AF	50	P	LTR	DESCRIPTION	DATE	DWN	APVD
			N	REV PER 0G3A-0077-05	02FEB05	JR	PD



- 1- CONTINUOUS STRIP ON REELS.
- 2- STRESS RELIEVE THIS PART
- 3- THIS PART MUST MATE TO A TAB WITH A HOLE, NOT A DIMPLE.
- 4- PRELIMINARY - NOT FOR PRODUCTION

VIEW A-A



3	-	.110-.210	18-12	.032	63445-5
2	.000080 MIN TIN	.110-.210	18-12	.032	63445-4
	SILVER	.110-.210	18-12	.032	63445-3
	.000080 MIN TIN	.110-.210	18-12	.032	63445-2
	-	.110-.210	18-12	.032	63445-1
FINISH		INSULATION RANGE	WIRE SIZE	MATING TAB THK ±.001	PART NO

THIS DRAWING IS A CONTROLLED DOCUMENT.		DWN JR RUTH 7/10/86	Tyco Electronics Corporation Harrisburg, PA 17105-3608		
DIMENSIONS: INCHES		CHK G YETTER 7/11/86			
TOLERANCES UNLESS OTHERWISE SPECIFIED:		APVD C MEYERS 7/11/86	NAME .250 SERIES FLAG FASTON RECEPTACLE		
0 PLC ± - 1 PLC ± - 2 PLC ± - 3 PLC ± .010 4 PLC ± - ANGLES ± -		PRODUCT SPEC -	RESTRICTED TO -		
MATERIAL 4M BRASS		FINISH -	APPLICATION SPEC -	SIZE A3	CAGE CODE 00779
CUSTOMER DRAWING			DRAWING NO C-63445	SCALE 4:1	SHEET 1 OF 1
			WEIGHT -	REV N	