

6367198-1 Product Details

[Share](#) [Print](#) [Email](#)



6367198-1

TE Internal Number: 6367198-1

Active

[View 3D PDF](#)

Z-DOK Connectors

Always EU RoHS/ELV Compliant (Statement of Compliance)

Product Highlights:

- Z-DOK Product Line
- Connector Style = Plug
- 40 Pairs
- RoHS compliant, ELV compliant
- Lead Free Solder Processes = Reflow solder capable to 245°C, Reflow solder capable to 260°C

[View all Features](#)

Quick Links

- ▶ [Pricing & Availability](#)
- ▶ [Search for Tooling](#)
- ▶ [Product Feature Selector](#)
- ▶ [Contact Us About This Product](#)

[Add to My Part List](#) [Request Sample](#) [Find Similar Products](#) [Buy Product](#)

Documentation & Additional Information

Product Drawings:

- [Z-DOK CONNECTOR ASSEMBLY PLUG, ESD BOARDLOCKS \(PDF, English\)](#)

Catalog Pages/Data Sheets:

- None Available

Product Specifications:

- [Z-DOK and Z-DOK + Connectors \(PDF, English\)](#)

Application Specifications:

- [Z-DOK and Z-DOK + Connectors \(PDF, English\)](#)

Instruction Sheets:

- None Available

CAD Files: (CAD Format & Compression Information)

- [2D Drawing \(DXF, Version A\)](#)
- [3D Model \(IGES, Version A\)](#)
- [3D Model \(STEP, Version A\)](#)

[List all Documents](#)

Additional Information:

- [Product Line Information](#)

Related Products:

- [Tooling](#)

Product Features (Please use the Product Drawing for all design activity)

Product Type Features:

- Product Line = Z-DOK
- Mount Angle = Right Angle
- PCB Mount Style = Through Hole (SMT Compatible)
- PCB Mount Retention Type = ESD Boardlocks

Mechanical Attachment:

- Boardlock Material = Brass
- Boardlock Plating = Tin-Lead over Nickel

Termination Features:

- Termination Post Length (mm [in]) = 3.10 [0.122]

Contact Features:

- Contact Plating, Mating Area, Material = Gold (30)
- Solder Tail Contact Plating = Tin over Nickel
- Contact Base Material = Copper Alloy

Housing Features:

- Connector Style = Plug
- Housing Material = Polyester
- Housing Color = Natural

Configuration Features:

- Number of Pairs = 40

Industry Standards:

- RoHS/ELV Compliance = RoHS compliant, ELV compliant
- Lead Free Solder Processes = Reflow solder capable to 245°C, Reflow solder capable to 260°C
- RoHS/ELV Compliance History = Always was RoHS compliant

Other:

- Brand = TE Connectivity

Corporate Information

[About TE](#)
[Investors](#)
[News Room](#)
[Supplier Portal](#)
[Careers](#)
[Terms & Conditions](#)
[Privacy Policy](#)

Quick Links

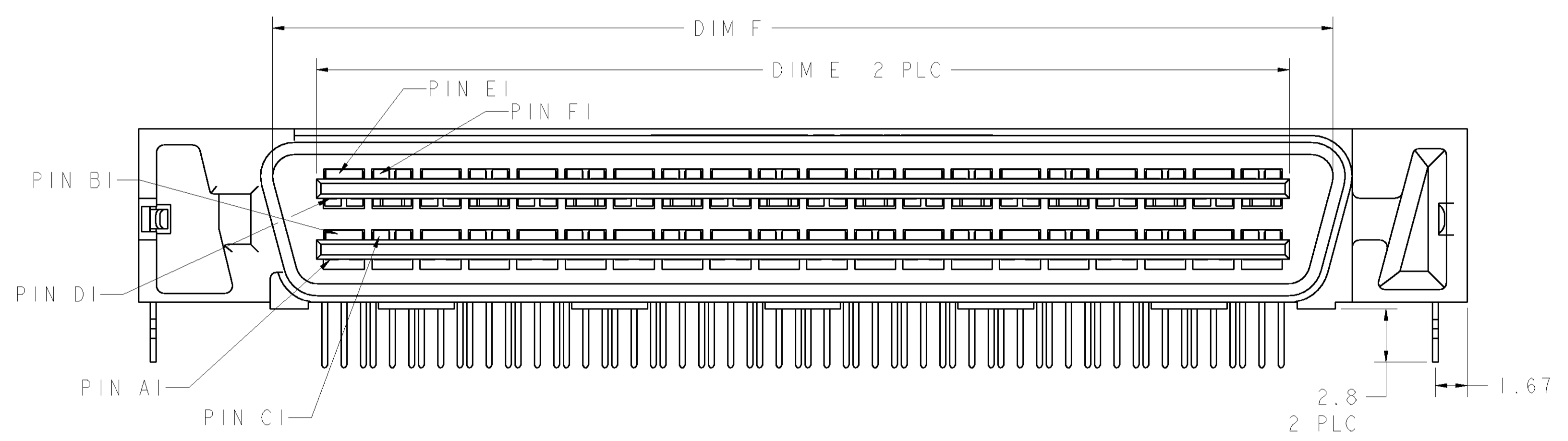
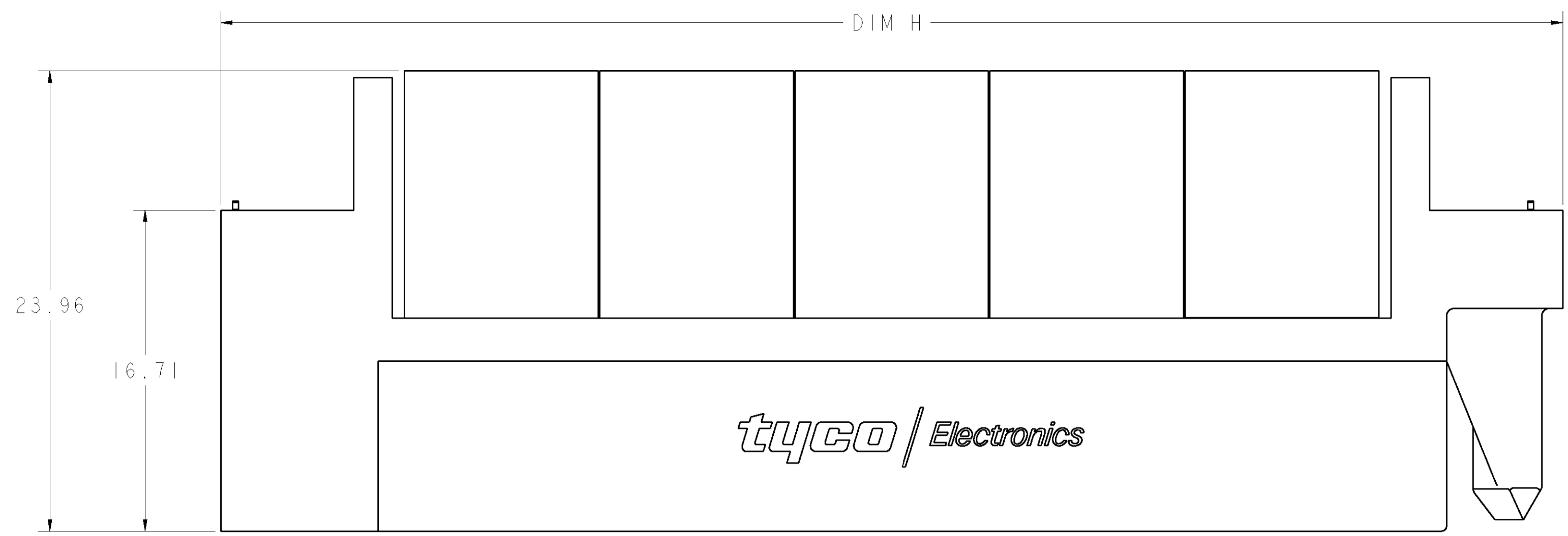
[Distributor Inventory](#)
[Product Cross Reference](#)
[Documents & Drawings](#)
[Product Compliance Support Center](#)
[Site Map](#)

Customer Support

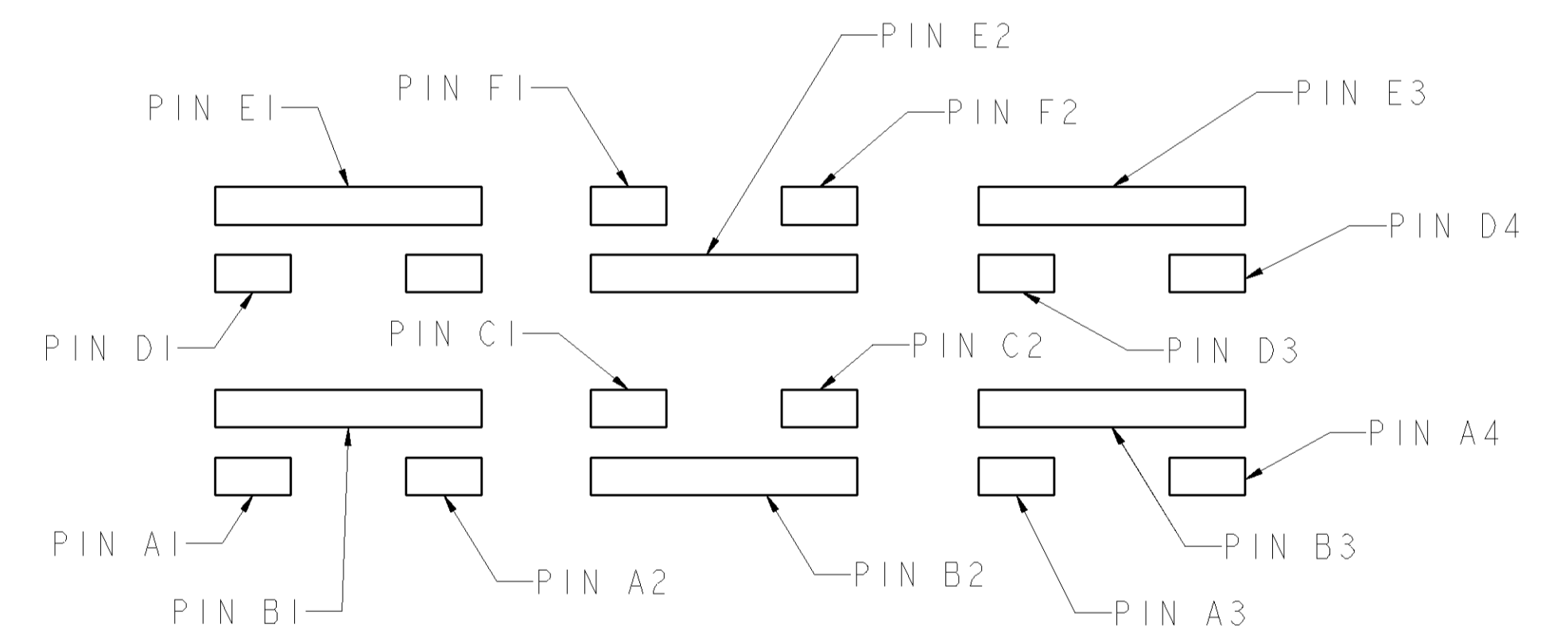
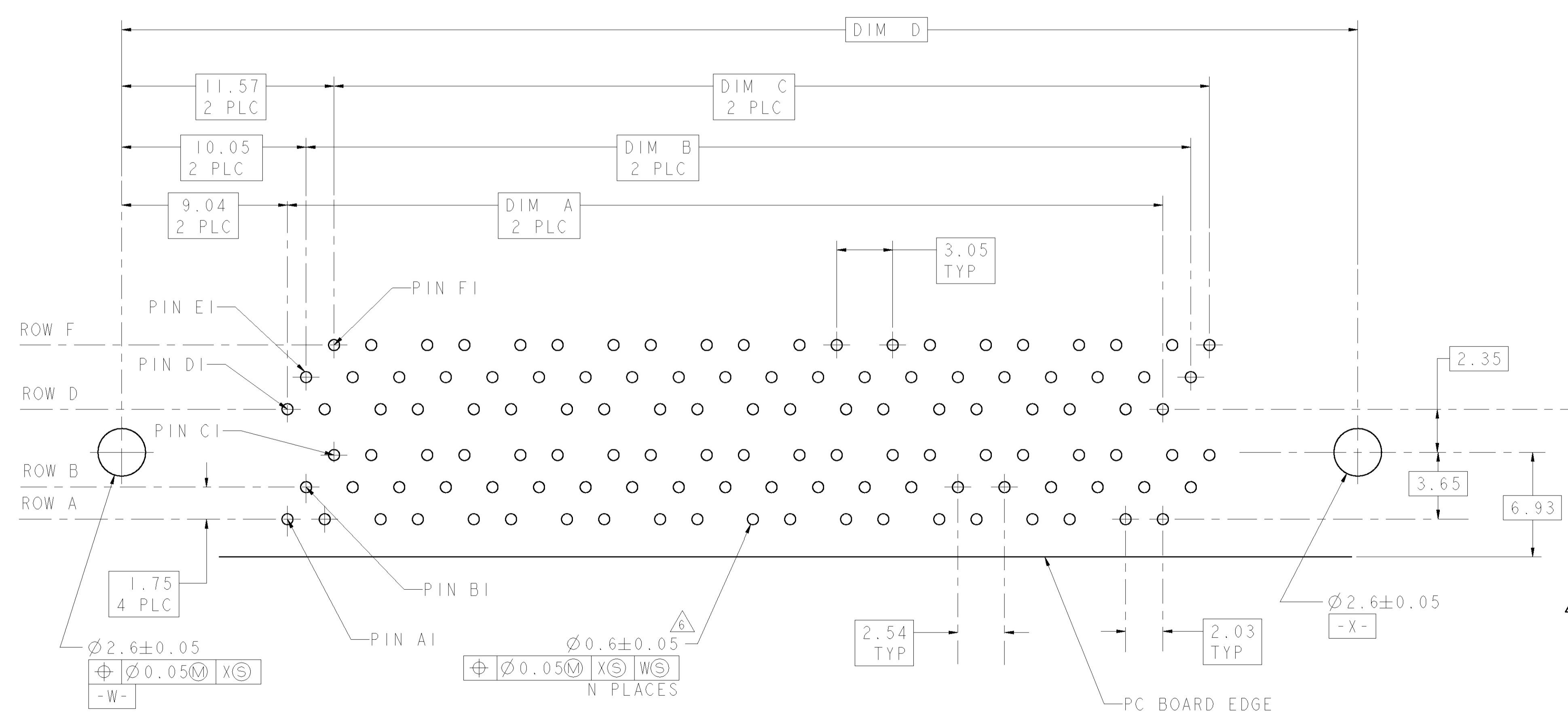
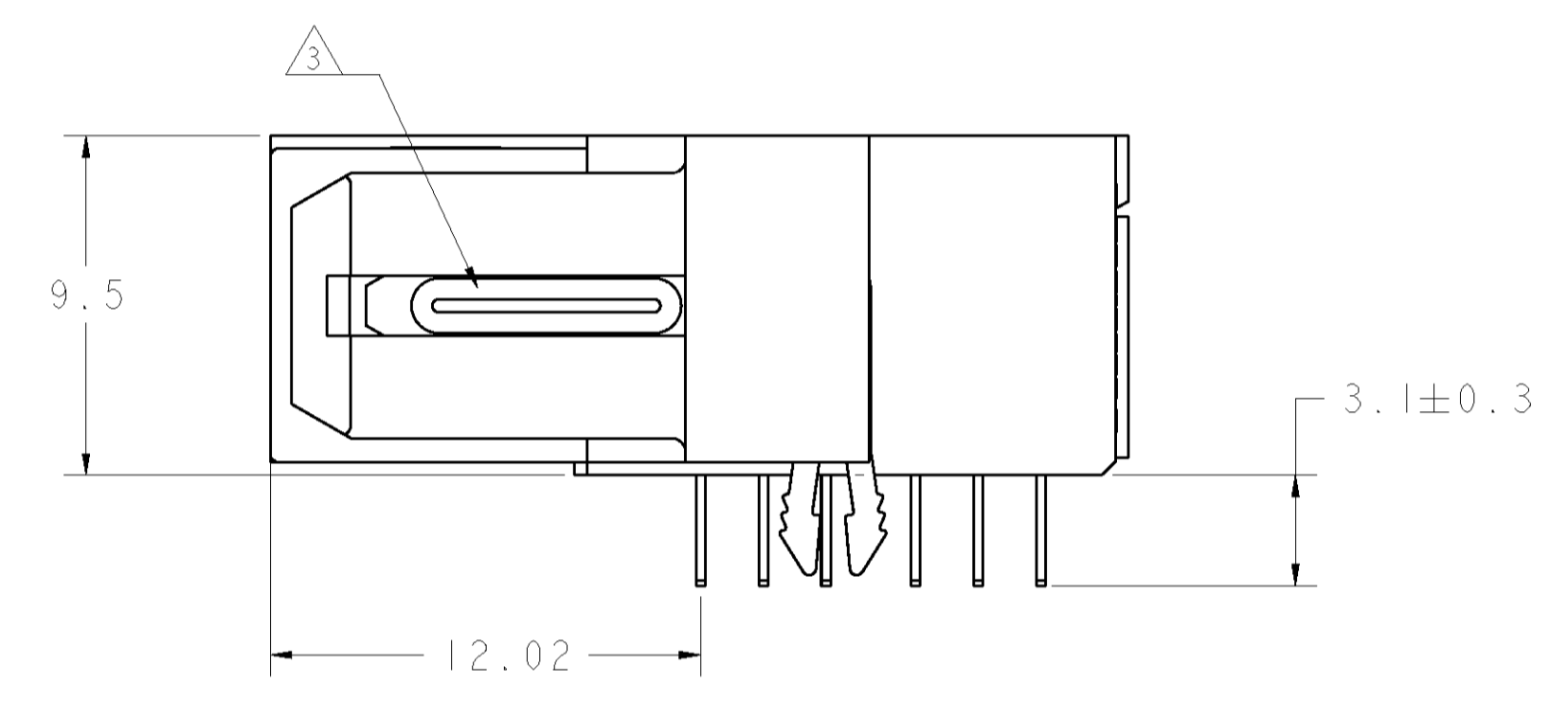
[Email or Chat With Us](#)
[Find a Phone Number](#)
[Knowledge Base](#)
[Manage Your Account](#)

Keep Me Informed

LOC		DIST		REVISIONS			
GP	00	P	LTR	DESCRIPTION	DATE	DWN	APVD
		A		RELEASED	30NOV2005	EDB	EDB
		A1		REVISED PER ECO-09-025699	08DEC09	KK	AEG



- △ MATERIAL:
HOUSING AND ORGANIZER: POLYESTER, NATURAL
CONTACTS: COPPER ALLOY
BOARDLOCKS: BRASS
- △ PLATING:
BOARDLOCKS: 2.0µm MIN. TIN OVER 1.00µm MIN NICKEL
CONTACTS: 0.76µm MIN GOLD IN CONTACT AREA, 2.54µm MIN TIN IN TERMINATION AREA, OVER 1.27µm MIN NICKEL.
- △ CONTACT ENGAGING SEQUENCE: BOARDLOCK (ESD), GROUND, SIGNAL.
- 4. DATE CODE MAY BE MARKED ON EITHER END.
- 5. ROWS A, C, D, AND F ARE SIGNAL CONTACTS
ROWS B AND E ARE GROUND CONTACTS.
- △ CONNECTOR SIZE CAN ACCOMMODATE INDICATED QUANTITY OF DIFFERENTIAL PAIRS.
- 7. COMPONENT HAS NOT PASSED VERIFICATION TESTING.
- △ OBSOLETE PARTS: OBSOLETE CIS STREAMLINING PER D.RENAUD/D.SINISI



QTY	216	110.50	96.40	91.79	108.05	88.39	88.90	88.39	72	6367198-7
	96	59.70	45.60	40.99	57.25	37.59	38.10	37.59	32	6367198-6
	72	49.54	35.44	30.83	47.09	27.43	27.94	27.43	24	6367198-5
	192	100.34	86.24	81.63	97.89	78.23	78.74	78.23	64	6367198-4
	168	90.18	76.08	71.47	87.73	68.07	68.58	68.07	56	6367198-3
	144	80.02	65.92	61.31	77.57	57.91	58.42	57.91	48	6367198-2
	120	69.86	55.76	51.15	67.41	47.75	48.26	47.75	40	6367198-1
	"N"	"H"	"F"	"E"	"D"	"C"	"B"	"A"	DIFF PAIRS	△
	DIM	DIM	DIM	DIM	DIM	DIM	DIM	DIM		PART NO

RECOMMENDED PC BOARD FOOTPRINT
 COMPONENT SIDE SHOWN
 SCALE 6:1

DIMENSIONS:		TOLERANCES UNLESS OTHERWISE SPECIFIED:		DWN: E. BRIANT 30NOV2005		APVD: E. BRIANT 30NOV2005		NAME: M. WALMSLEY 30NOV2005		tyco AMP Incorporated Harrisburg, PA 17105-3608	
mm	0 PLC ±	1 PLC ±0.3	3 PLC ±0.13	5 PLC ±	PRODUCT SPEC	108-1985		Z-DOK CONNECTOR ASSEMBLY PLUG, ESD BOARDLOCKS		RESTRICTED TO	
	4 PLC ±	ANGLES ±	40°/30°		APPLICATION SPEC	114-13068		SIZE: CAGE CODE: DRAWING NO: A100779 C=6367198		SCALE: 3:1 SHEET 1 OF 1 REV A1	
MATERIAL	FINISH			WEIGHT		CUSTOMER DRAWING					