

Distributed by:

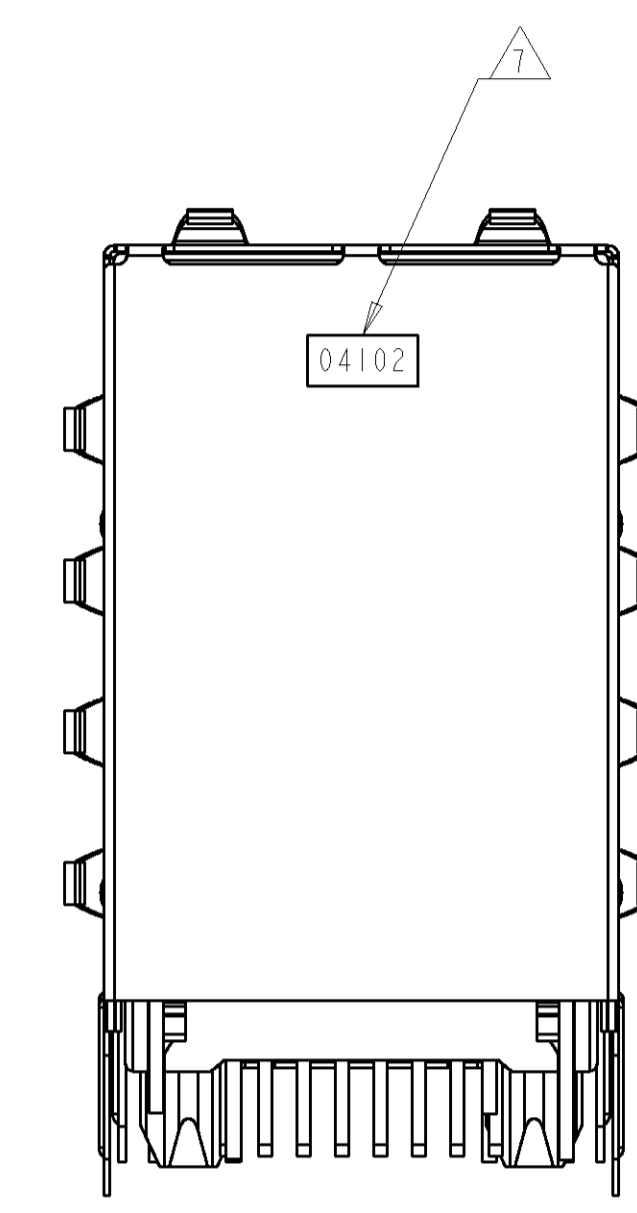
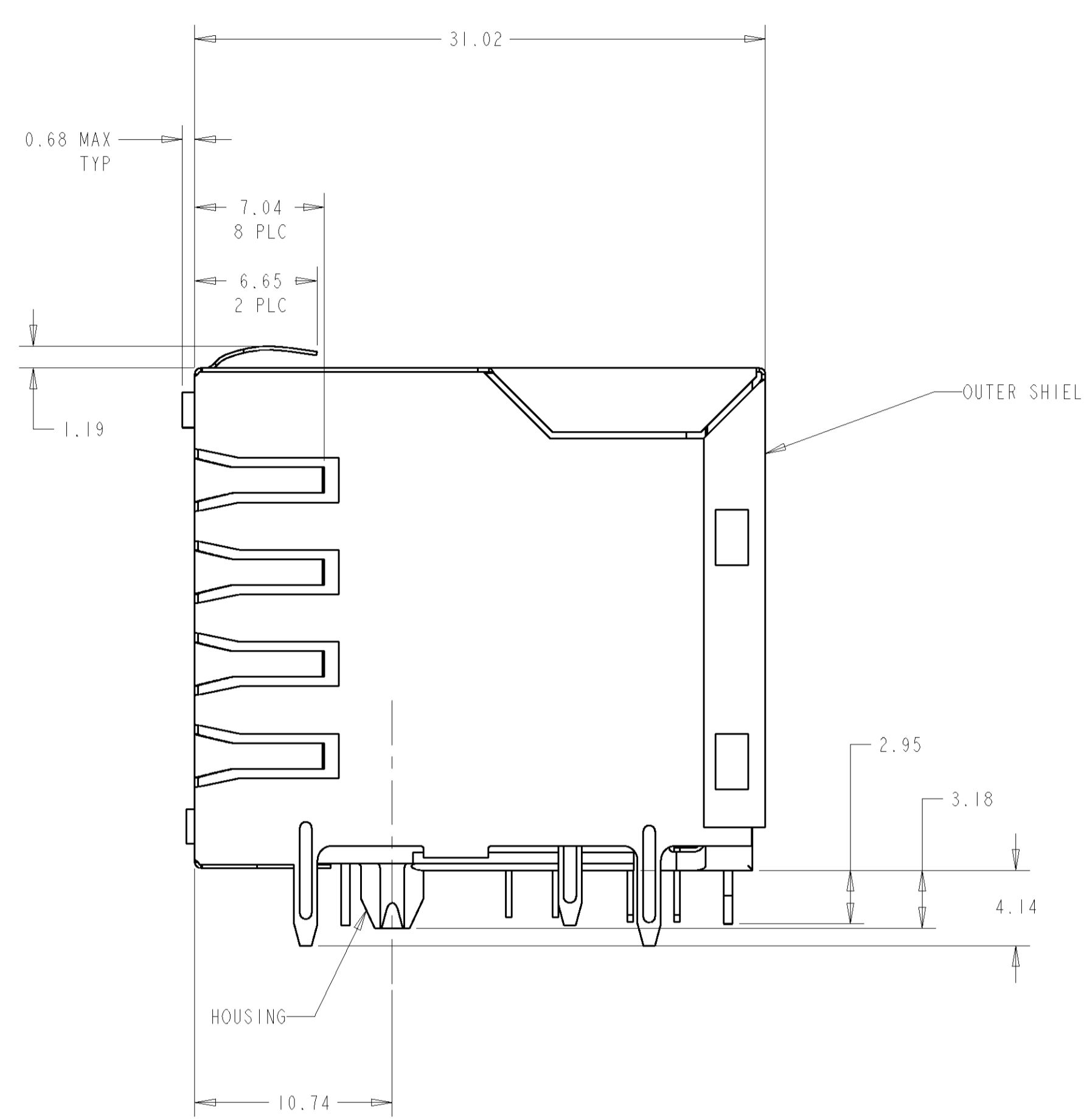
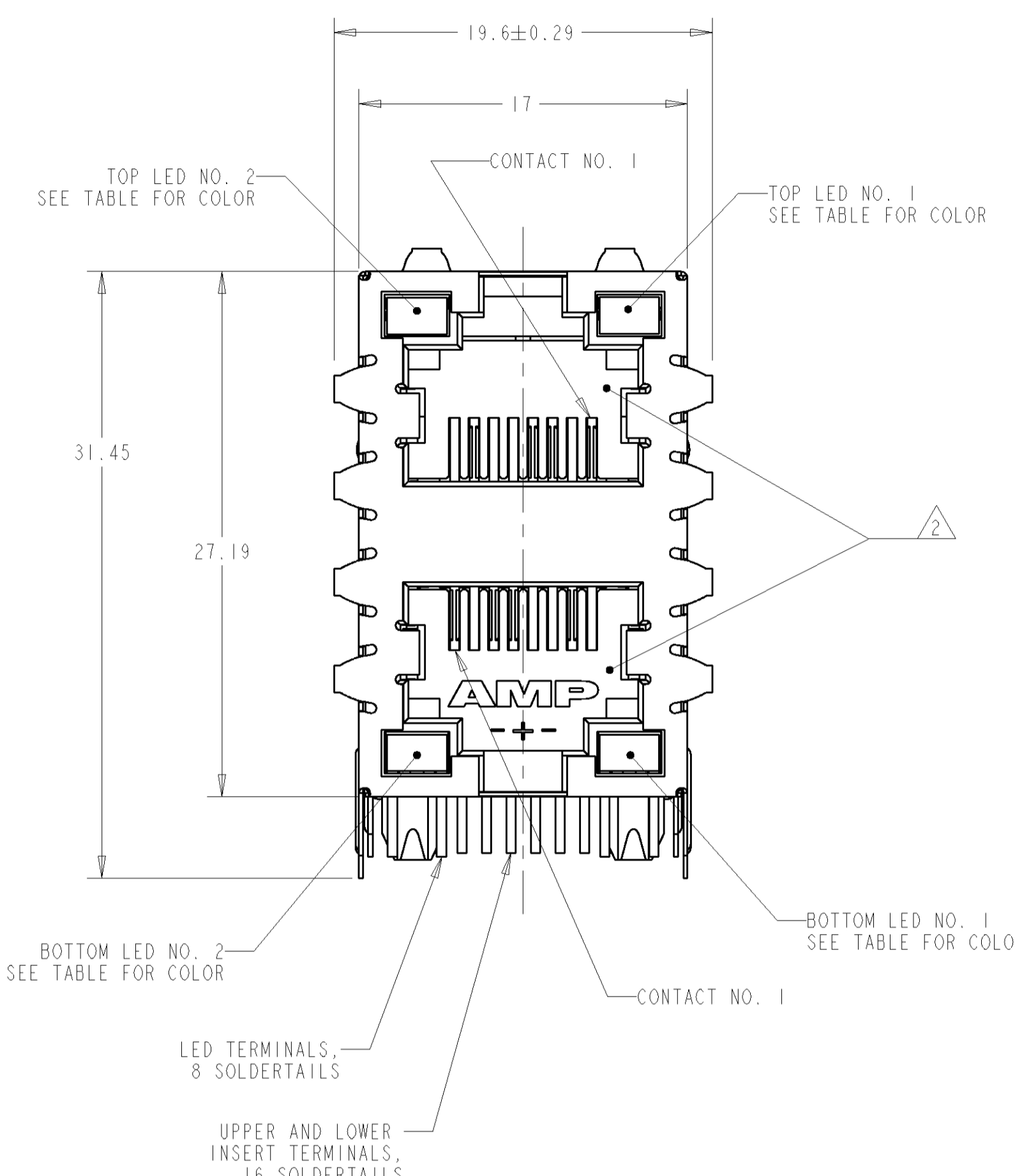
JAMECO[®]
ELECTRONICS

www.Jameco.com ♦ 1-800-831-4242

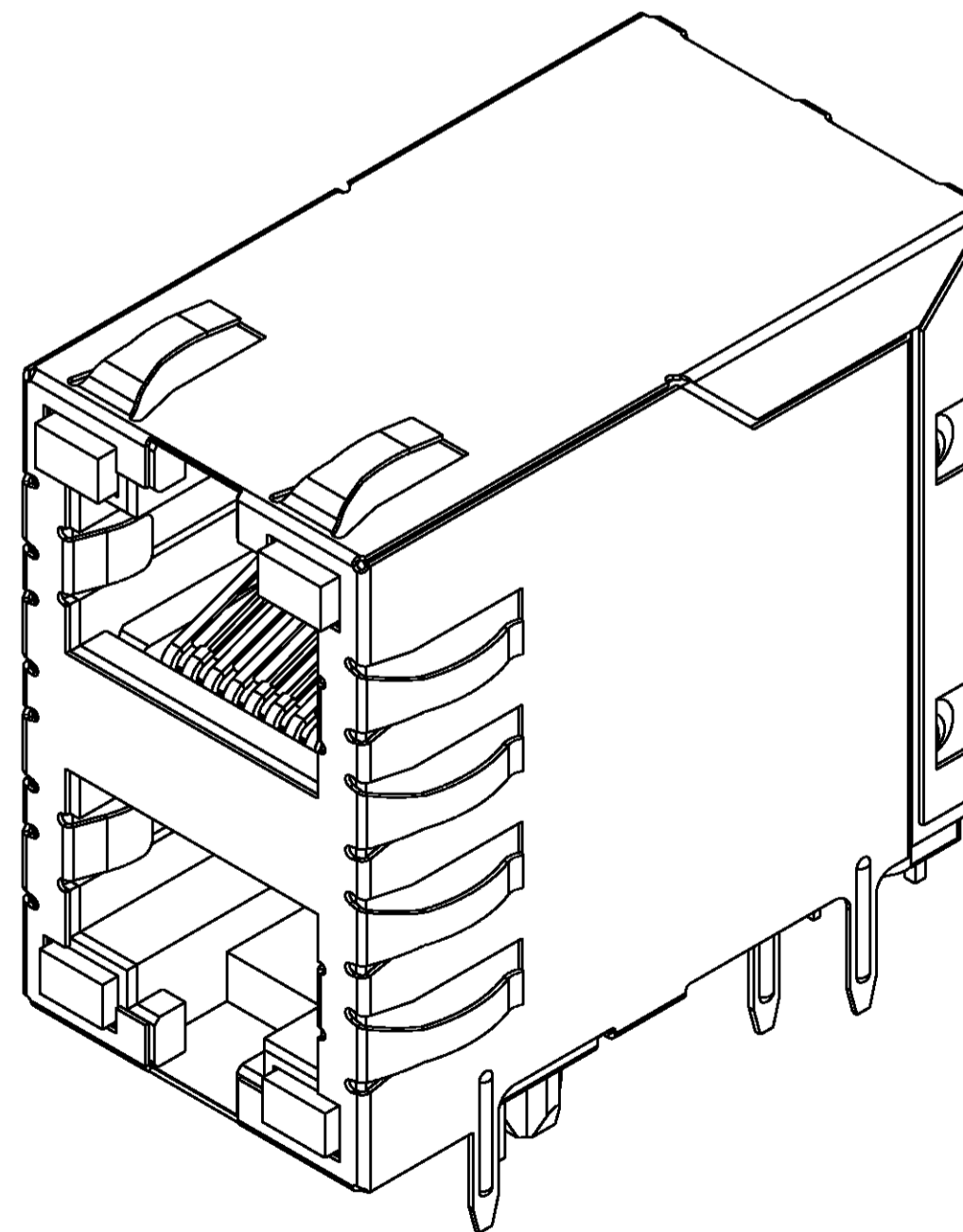
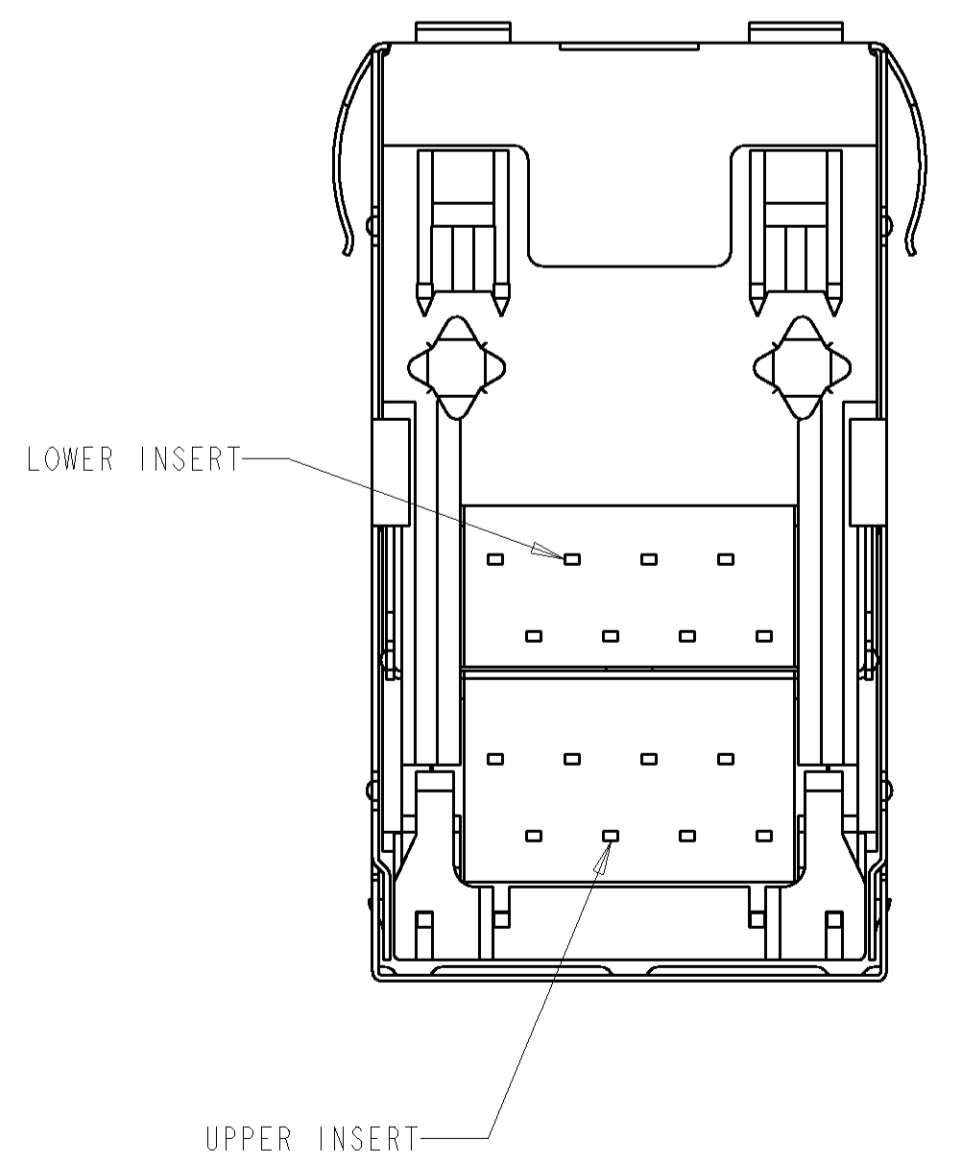
The content and copyrights of the attached
material are the property of its owner.

Jameco Part Number 964918

| LOC | DIST | REVISIONS | | | |
|-----|------|-------------|-----------------------|-----------|--------|
| P | LTR | DESCRIPTION | DATE | DWN | APVD |
| AA | 22 | A | ED0511-0201-04 | 13APR2005 | LAM SF |
| | | B | REV PER 0515-0020-05 | 10AUG2005 | RG JW |
| | | C | REV PER ECO-05-015498 | 07DEC2005 | RG MY |
| | | D | ECO-06-007636 | 04APR2006 | LAM JW |



- MATERIAL: HOUSING - PBT POLYESTER, BLACK, UL 94V-0.
 TERMINALS - 0.33 THICK PHOSPHOR BRONZE PLATED WITH 1.27um MINIMUM THICK HARD GOLD IN LOCALIZED MATING INTERFACE AND 3.81um MINIMUM THICK MATTE TIN IN SOLDER AREA OVER 1.27um MINIMUM THICK NICKEL UNDERPLATE.
 SHIELD - 0.196 THICK COPPER ALLOY PLATED WITH 2.03um MINIMUM TIN OVER 1.27um MINIMUM NICKEL.
 LIGHT EMITTING DIODE (LED) - DIFFUSED EPOXY LENS, 0.51 X 0.51 CARBON STEEL WIREFRAME LEADS PREPLATED WITH 8.89 um THICK Sn/Cu OVER 2.03 um THICK Ag OVER 1.02 THICK Cu OVER 3.56 um THICK Ni OVER 1.02 um Cu UNDERPLATE.
- JACK CAVITY CONFORMS TO FCC RULES AND REGULATIONS, PART 68 SUBPART F.
- SUGGESTED OPERATING CURRENT FOR THE LED IS 20mA. GREEN/ORANGE BI-COLOR LEDS ON 6368011-4 AND 1-6368011-0 WILL EMIT GREEN LIGHT ON FORWARD BIAS CURRENT AND ORANGE LIGHT ON REVERSE BIAS CURRENT. GREEN/RED BI-COLOR LEDS ON 6368011-9 AND 1-6368011-0 WILL EMIT GREEN LIGHT ON FORWARD BIAS CURRENT AND RED LIGHT ON REVERSE BIAS CURRENT. GREEN/YEL BI-COLOR LEDS ON 1-6368011-1 WILL EMIT GREEN LIGHT ON FORWARD BIAS CURRENT AND YELLOW LIGHT ON REVERSE BIAS CURRENT.
- THIS MODULAR JACK WITH INTEGRATED LED IS NOT IR REFLOW SOLDERING PROCESS COMPATIBLE.
- USE NO. 30 DRILL BIT OR 3.25mm DRILL BIT WHEN PRODUCING THESE PCB HOLES.
- HM-15 LUBE APPLIED TO THE GOLD PLATED AREA OF THE TERMINALS ON 6368011-8 ONLY.
- DATE CODE LOCATED ON REAR OF PART APPROX AS SHOWN: FIRST 2 DIGITS ARE LAST 2 DIGITS OF YEAR, SECOND 2 DIGITS ARE MANUFACTURING WORK WEEK, LAST DIGIT IS DAY OF WEEK, WITH SUNDAY=1.

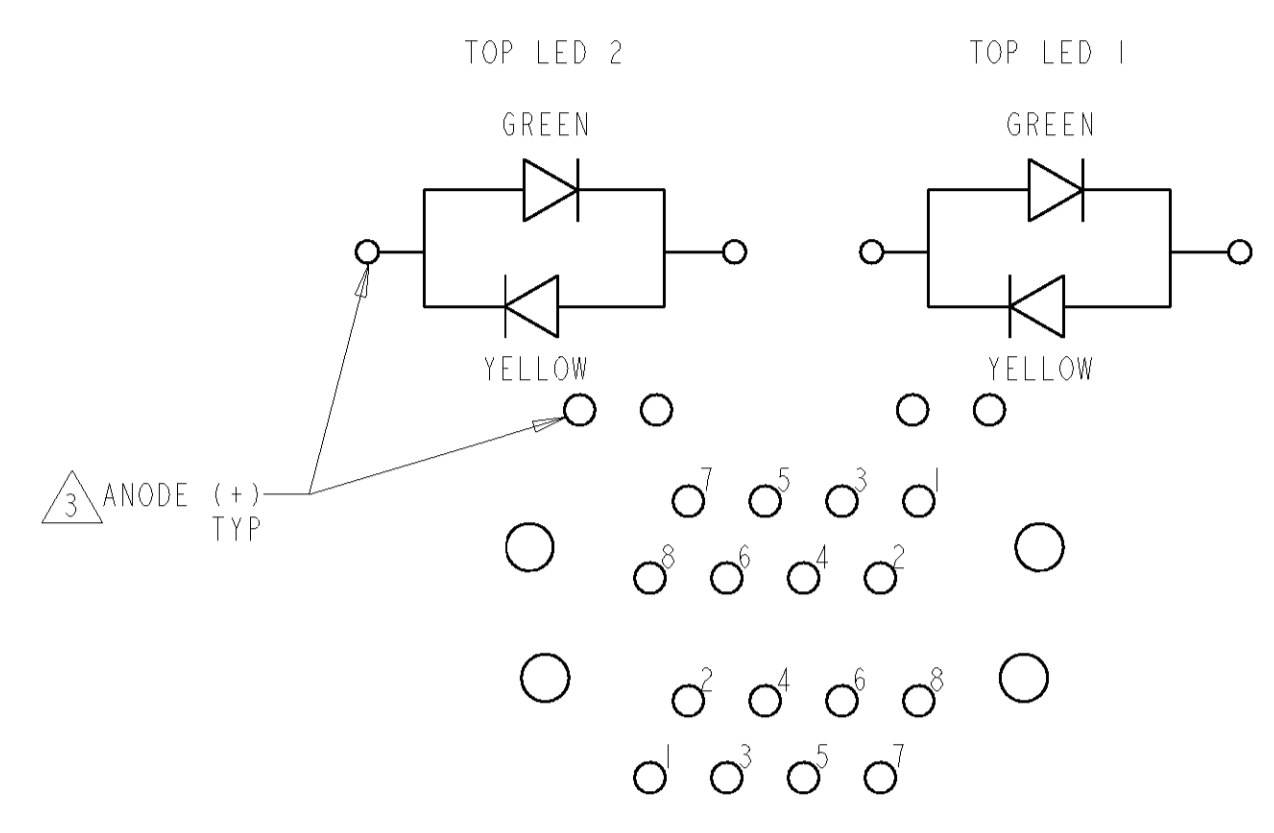


SCALE 4:1

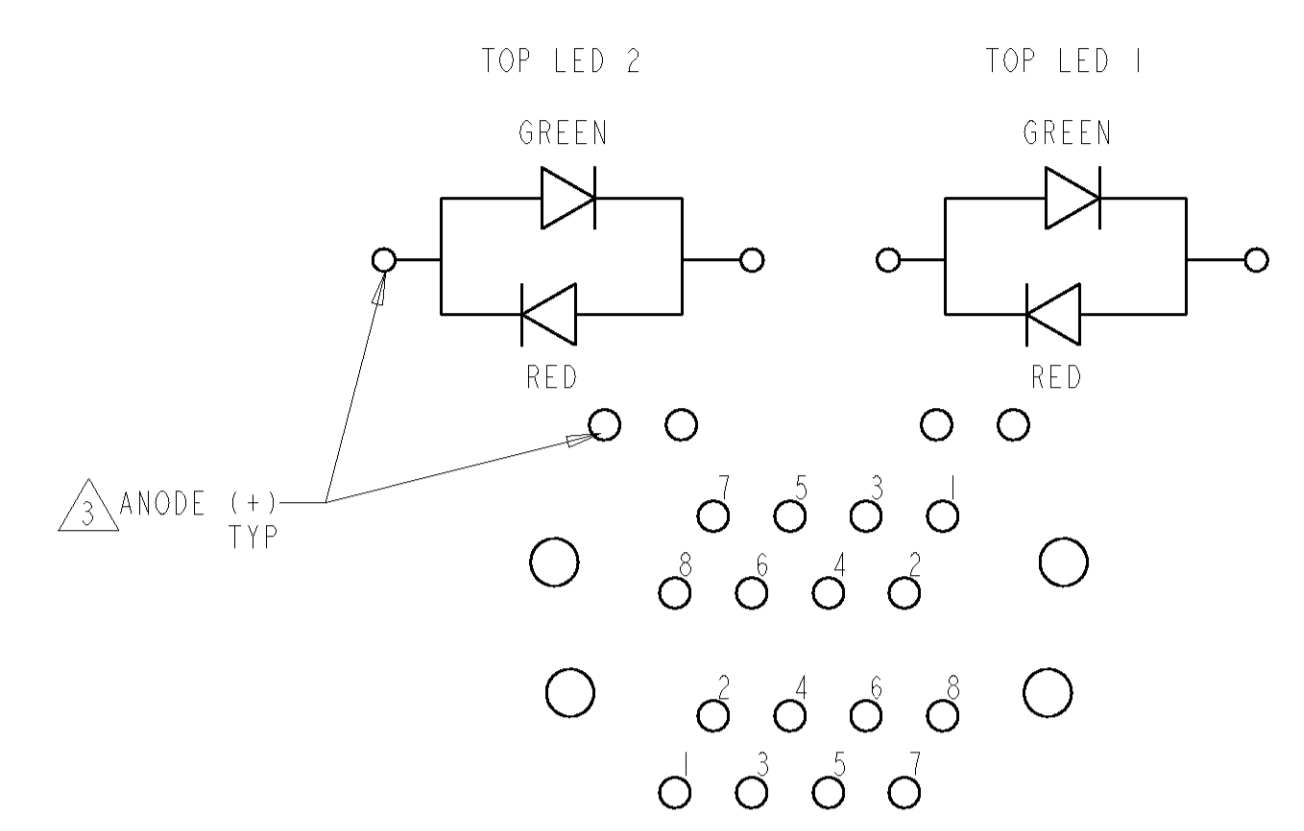
| LED 1 | LED 2 | LED 3 | LED 4 | PART NUMBER |
|--------------|--------------|--------------|--------------|-------------|
| GREEN/YELLOW | GREEN/YELLOW | GREEN/YELLOW | GREEN/YELLOW | 1-6368011-1 |
| GREEN/ORANGE | GREEN/ORANGE | GREEN/RED | GREEN/RED | 1-6368011-0 |
| GREEN/RED | GREEN/RED | GREEN/RED | GREEN/RED | 6368011-9 |
| YELLOW | GREEN | YELLOW | GREEN | 6368011-8 |
| GREEN | ORANGE | N/A | N/A | 6368011-7 |
| GREEN | GREEN | YELLOW | GREEN | 6368011-6 |
| YELLOW | GREEN | YELLOW | GREEN | 6368011-5 |
| GREEN/ORANGE | GREEN/ORANGE | GREEN/ORANGE | GREEN/ORANGE | 6368011-4 |
| GREEN | YELLOW | GREEN | YELLOW | 6368011-3 |
| YELLOW | GREEN | GREEN | YELLOW | 6368011-2 |
| GREEN | GREEN | GREEN | GREEN | 6368011-1 |

| | | | | | | | | | |
|----------------------|--------------------|--|----------------|--|-------------------|--|--|---|--|
| DIMENSIONS: | | TOLERANCES UNLESS OTHERWISE SPECIFIED: | | DWN: T3APR2005 Vik Slack/A. MAYER CHK: T3APR2005 J. WESTMAN | | APVD: T3APR2005 S. FLICKINGER | | Tyco Electronics Harrisburg, PA 17105-3608 | |
| mm | 0 PLC ± | 1 PLC ± | 2 PLC ±0.25 | 3 PLC ± | 4 PLC ± | NAME: MODULAR JACK ASSEMBLY, STACKED, 2 X 1, 8 POSITION, SHIELDED, PANEL GROUND, LED, CATEGORY 5 | | RESTRICTED TO | |
| MATERIAL: SEE NOTE 1 | FINISH: SEE NOTE 1 | WEIGHT: - | SIZE: 114-2154 | CAGE CODE: A11 | DRAWING NO: 00779 | PART NUMBER: 6368011 | | SCALE: 1:1 SHEET 1 OF 3 REV D | |
| CUSTOMER DRAWING | | | | | | | | | |

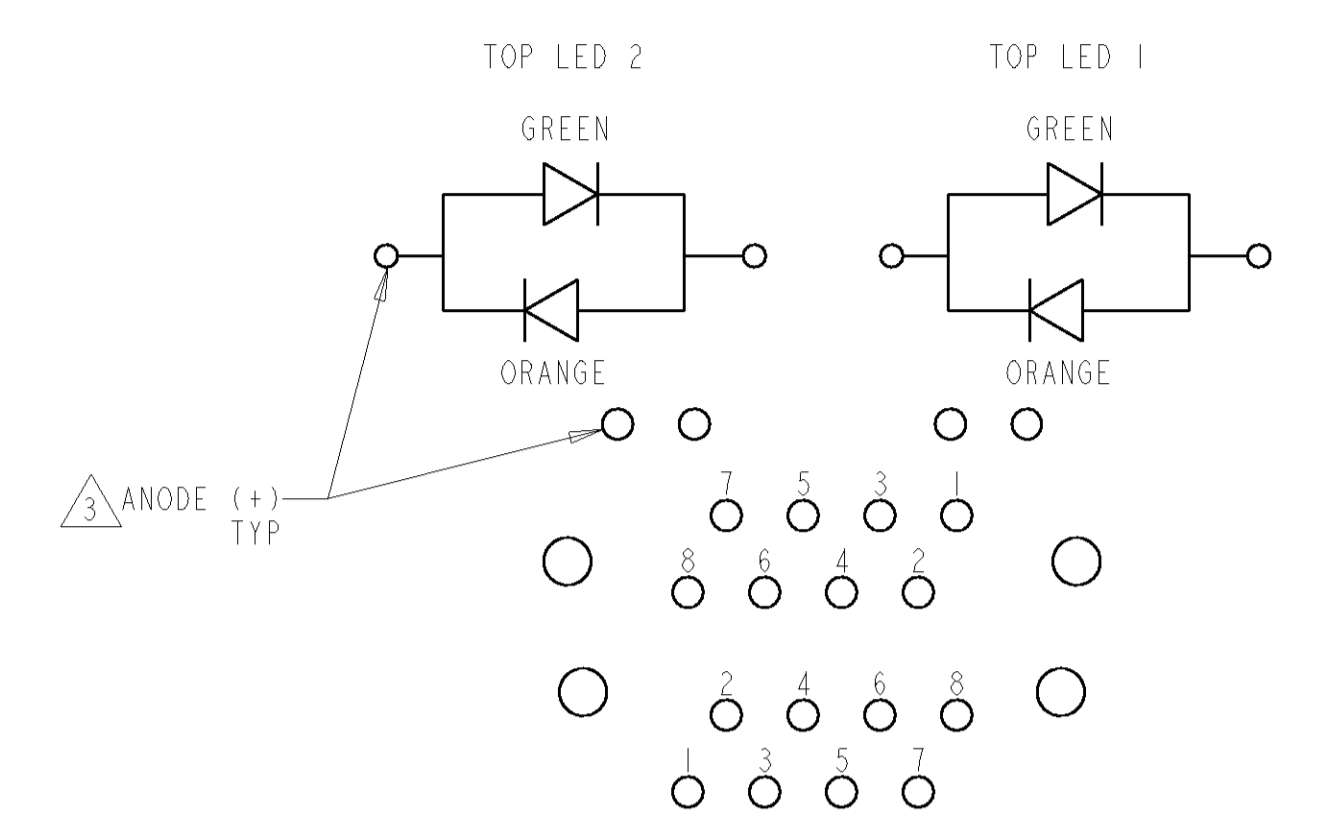
| LOC | DIST | REVISIONS | | | | | |
|-----|------|-----------|-----|-------------|------|-----|------|
| AA | 22 | P | LTR | DESCRIPTION | DATE | DWN | APVD |
| | | - | - | SEE SHEET 1 | - | - | - |



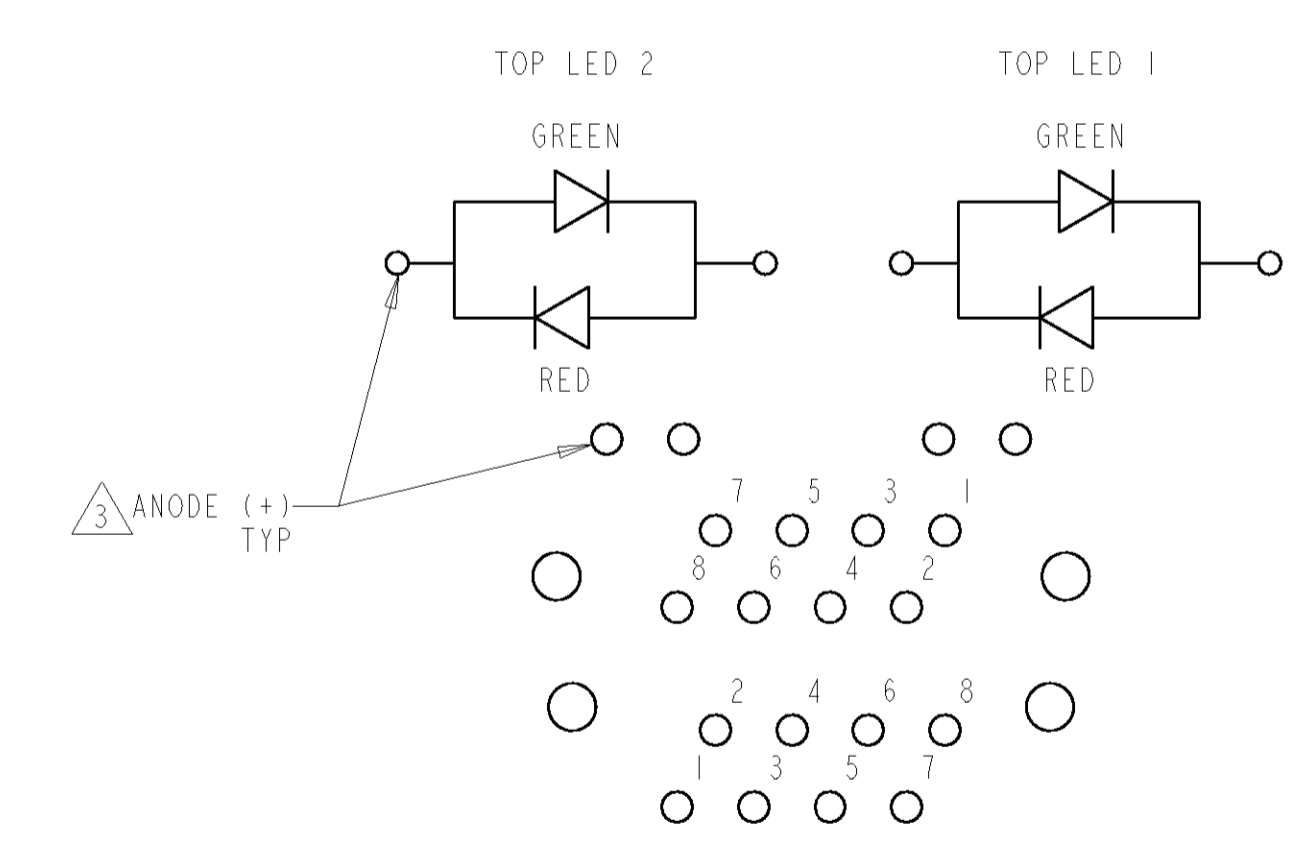
SCHEMATIC FOR 1-6368011-1
SCALE 4:1



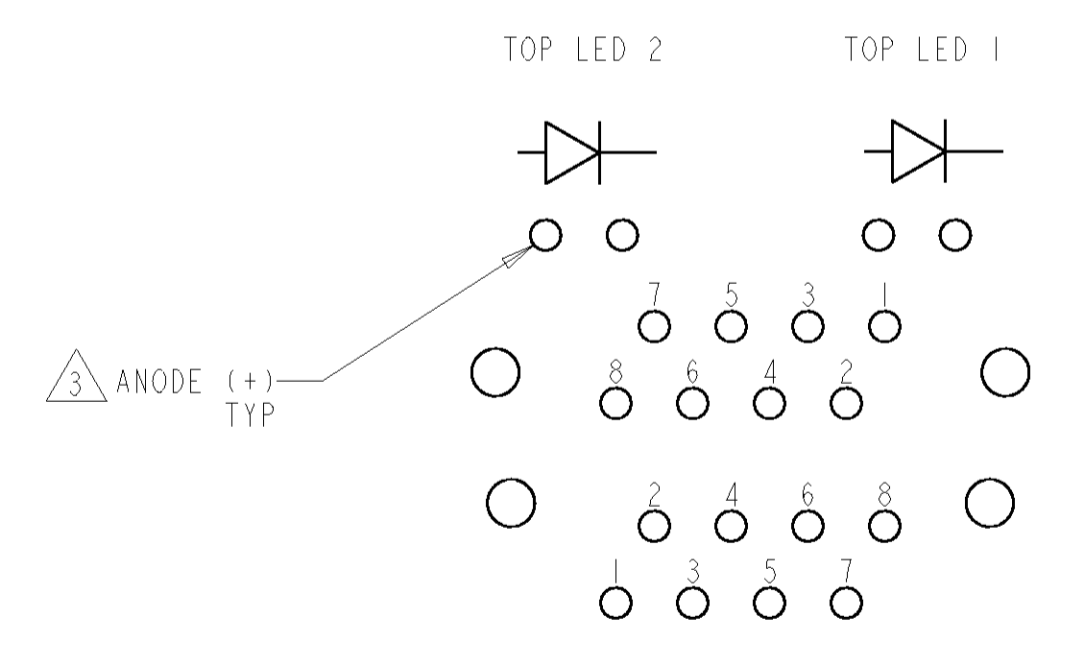
SCHEMATIC FOR 1-6368011-0
SCALE 4:1



SCHEMATIC FOR 6368011-4
SCALE 4:1



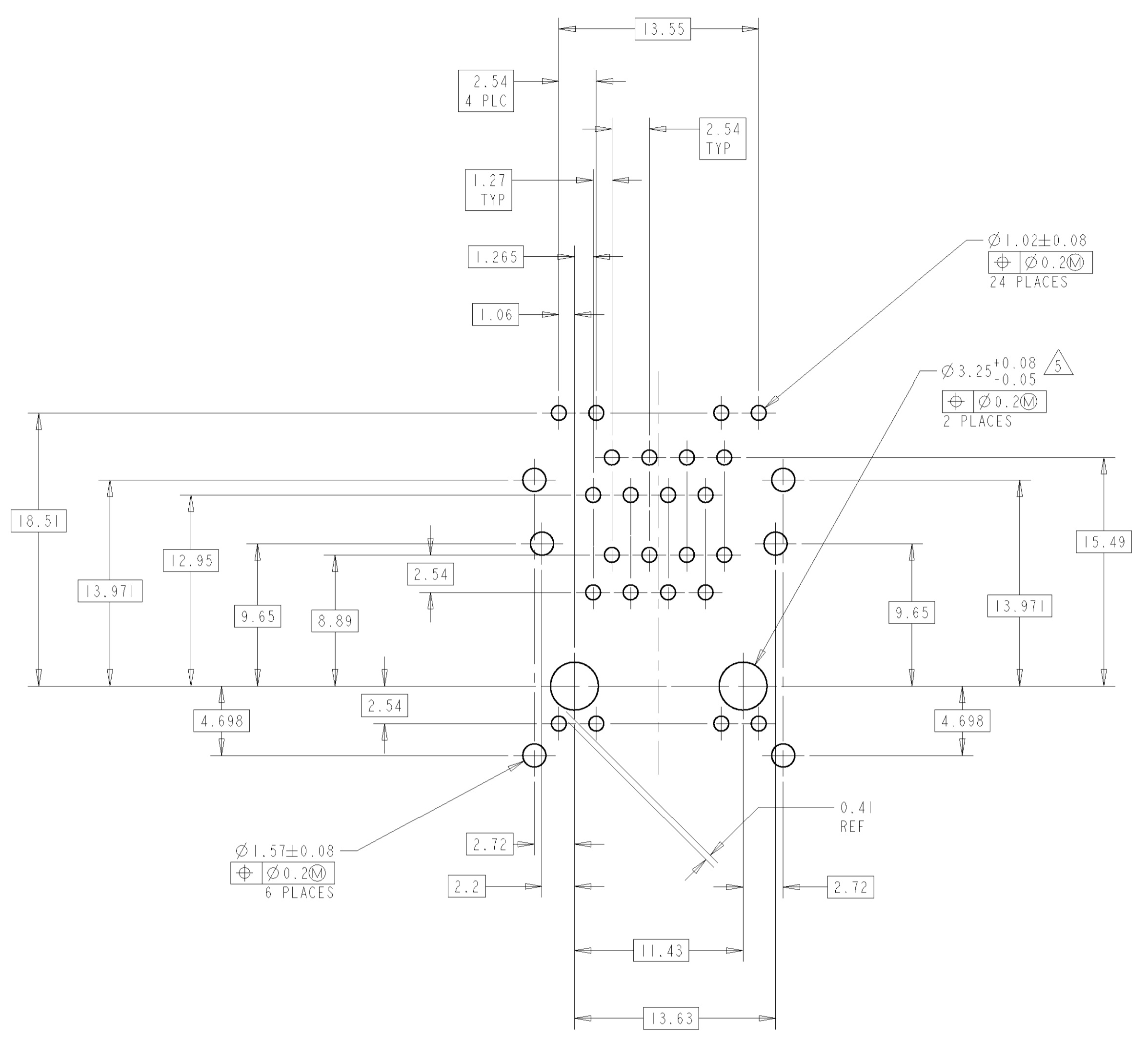
SCHEMATIC FOR 6368011-9
SCALE 4:1



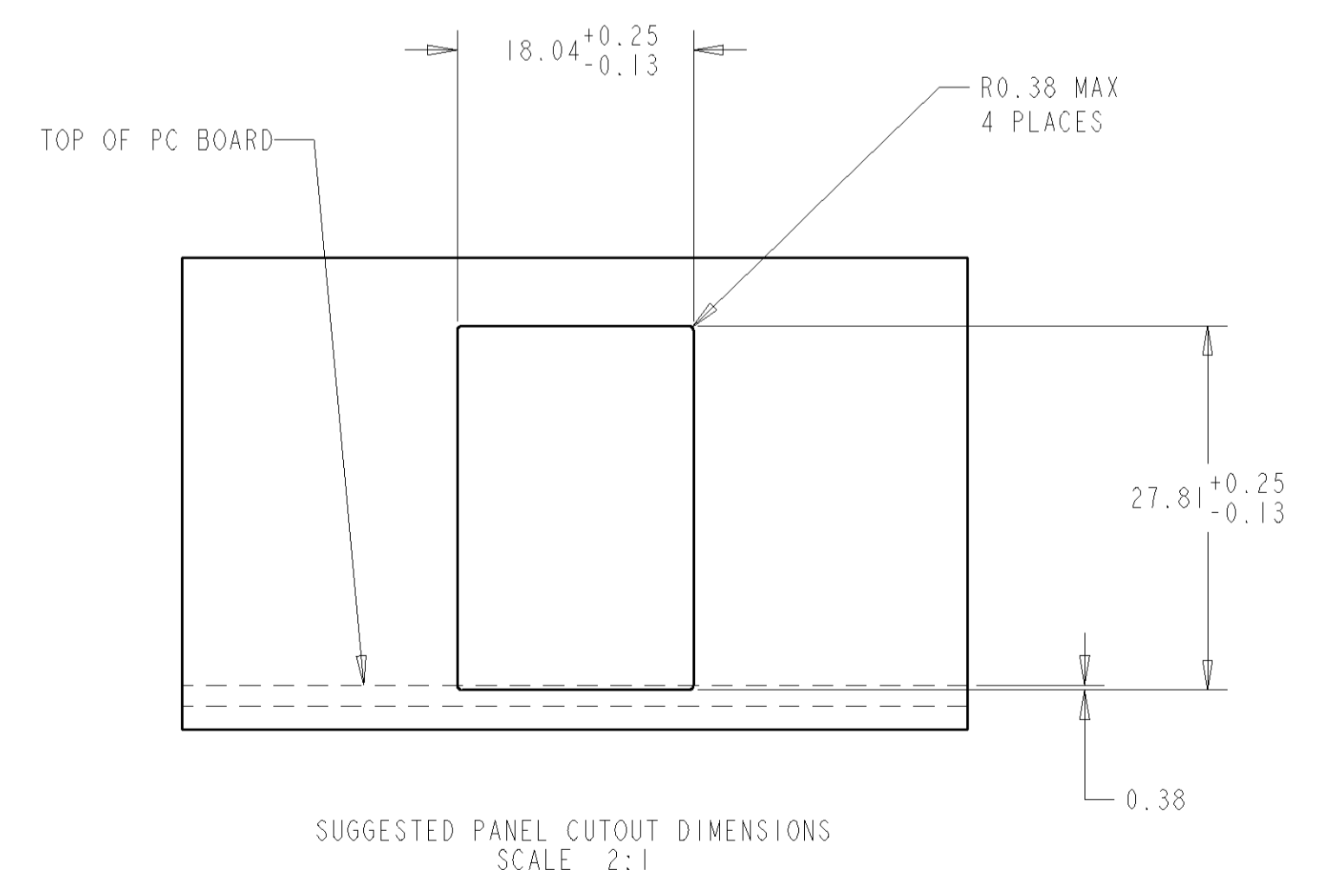
SCHEMATIC FOR 6368011-1, -2, -3, -5, -6, -7 & -8
SCALE 4:1

| | | | | | | | |
|-----------------------|--|---|--|--|--|---|--|
| DIMENSIONS: mm | | TOLERANCES UNLESS OTHERWISE SPECIFIED: 0 PLC ± 1 PLC ±0.25 2 PLC ± 3 PLC ± 4 PLC ± ANGLES ± | | DWN: Vik Slack 13APR2005 ENR: J. WESTMAN 13APR2005 APVD: S. FLICKINGER 13APR2005 PRODUCT SPEC APPLICATION SPEC 114-2154 WEIGHT CUSTOMER DRAWING | | Tyco Electronics Harrisburg, PA 17105-3608 NAME: MODULAR JACK ASSEMBLY, STACKED, 2 X 1, 8 POSITION, SHIELDED, PANEL GROUND, LED, CATEGORY 5 SIZE: 00779 CAGE CODE: 6368011 SCALE: 1:1 SHEET 2 OF 3 REV D | |
|-----------------------|--|---|--|--|--|---|--|

| LOC | DIST | REVISIONS | | | |
|-----|------|-------------|------|-----|------|
| P | LTR | DESCRIPTION | DATE | DWN | APVD |
| AA | 22 | SEE SHEET 1 | - | - | - |
| | | | | | |
| | | | | | |



PC BOARD LAYOUT VIEWED FROM COMPONENT SIDE OF BOARD
 SCALE 4:1



SUGGESTED PANEL CUTOUT DIMENSIONS
 SCALE 2:1

| | | | |
|--|--|--|---|
| <small>THIS DRAWING IS UNPUBLISHED. RELEASED FOR PUBLICATION. ALL RIGHTS RESERVED. © 2005 BY TYCO ELECTRONICS CORPORATION.</small> | | DWN: 13APR2005 CHK: VIK SLICKINGER J. WESTMAN APVD: 13APR2005 S. FLICKINGER | tyco Electronics Tyco Electronics Harrisburg, PA 17105-3608 |
| DIMENSIONS: mm | TOLERANCES UNLESS OTHERWISE SPECIFIED: 0 PLC ± 1 PLC ± 2 PLC ±0.25 3 PLC ± 4 PLC ± ANGLES ± FINISH SEE NOTE 1 | NAME: MODULAR JACK ASSEMBLY, STACKED, 2 X 1, 8 POSITION, SHIELDED, PANEL GROUND, LED, CATEGORY 5 PRODUCT SPEC: 108-1163-2 APPLICATION SPEC: SIZE: 114-2154 WEIGHT: - CUSTOMER DRAWING | RESTRICTED TO: SCALE: 1:1 SHEET: 3 OF 3 REV: D |