

6368011-4 Product Details



6368011-4

TE Internal Number: 6368011-4



PCB Mounted Jacks - Single Port, Multi-port and Stacked

 Always EU RoHS/ELV Compliant (Statement of Compliance)

Product Highlights:

- Connector
- Preloaded
- Stacked Port Configuration
- 2 x 1 Jack Configuration
- Jack Type = RJ45

Documentation & Additional Information

Product Drawings:

- [MODULAR JACK ASSEMBLY, STACKED, 2 X 1, 8 POSITION, SH...](#) (PDF, English)

Catalog Pages/Data Sheets:

- None Available

Product Specifications:

- [High Performance Modular Plugs & Jacks, PCB Mounted](#) (PDF, English)

Application Specifications:

- [Modular Jacks](#) (PDF, English)

Instruction Sheets:

- None Available

CAD Files: (CAD Format & Compression Information)

- [2D Drawing](#) (DXF, Version D)
- [3D Model](#) (IGES, Version D)
- [3D Model](#) (STEP, Version D)

Additional Information:

- [Product Line Information](#)

Related Products:

- [Tooling](#)

Product Features (Please use the Product Drawing for all design activity)

Product Type Features:

- Product Type = Connector
- Jack Type = RJ45
- PCB Mounting Orientation = Side Entry (Right Angle)
- PCB Mount Style = Through Hole
- Termination Method to PC Board = Solder
- Performance Category = Cat 5
- LED = With
- Grounding Options = Panel Ground and PCB Ground
- Panel Stops = Without
- Keyed = No
- Profile = Low
- Color = Black
- Shield Material = .008 [0.20] Copper Alloy

Mechanical Attachment:

- [Panel Mount Retention](#) = Without

Electrical Characteristics:

- [Shielded](#) = Yes

Termination Features:

- [Solder Tail Contact Plating](#) = Tin over Nickel
- Grounding Clips = Without

Dimensions:

- [PCB Tail Length \(mm \[in\]\)](#) = 2.85 [0.112]
- [PCB Thickness, Recommended \(mm \[in\]\)](#) = 1.57 [0.062]

Body Features:

- [Inverted Jack Face](#) = No
- [Shield Plating](#) = Tin over Nickel
- [Grounding Tab Plating](#) = Tin over Nickel

Contact Features:

- [Contact Plating, Mating Area, Material](#) = Gold (50)
- [Contact Base Material](#) = Phosphor Bronze
- [PCB ACTION PIN Grounds](#) = Without

Housing Features:

- [Housing Material](#) = PBT - GF
- [Housing Color](#) = Black
- [UL Flammability Rating](#) = UL 94V-0

Configuration Features:

- [Preloaded](#) = Yes
- [Port Configuration](#) = Stacked
- [Jack Configuration](#) = 2 x 1
- [Number of Positions](#) = 8
- [Number of Contacts Loaded](#) = 8
- [Number of PCB Ground Tabs](#) = 6
- [Number of Terminals Per Port](#) = 8

Industry Standards:

- [RoHS/ELV Compliance](#) = RoHS compliant, ELV compliant
- [Lead Free Solder Processes](#) = Wave solder capable to 240°C, Wave solder capable to 260°C, Wave solder capable to 265°C
- [RoHS/ELV Compliance History](#) = Always was RoHS compliant

Identification Marking:

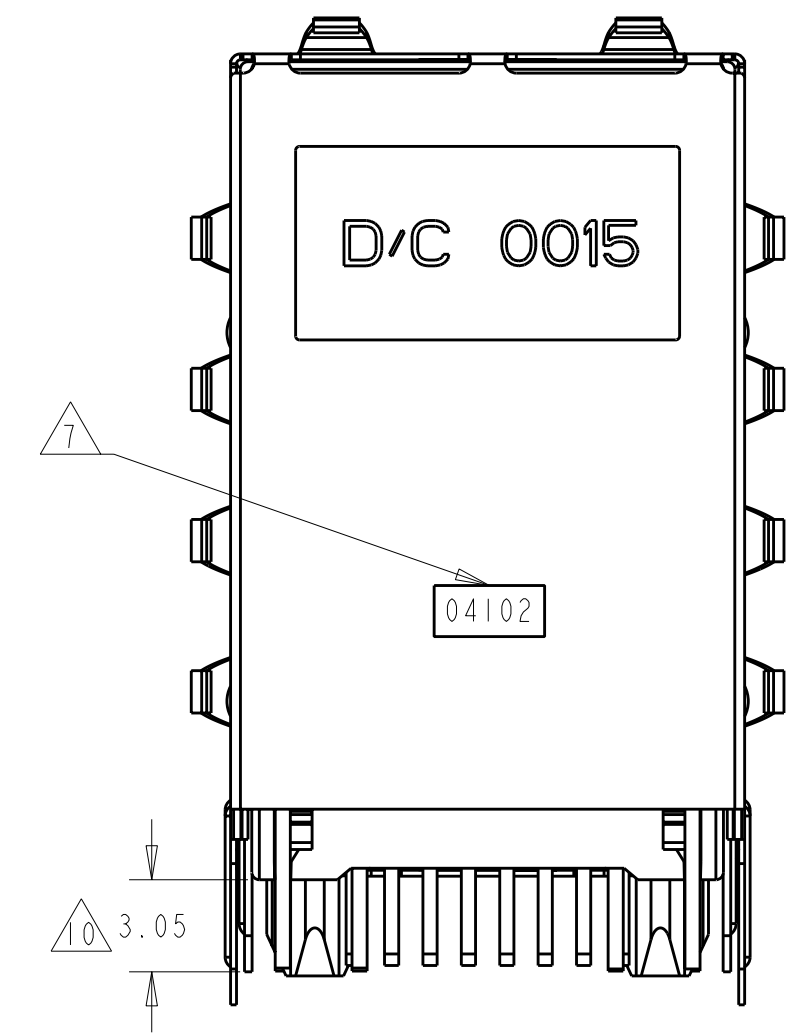
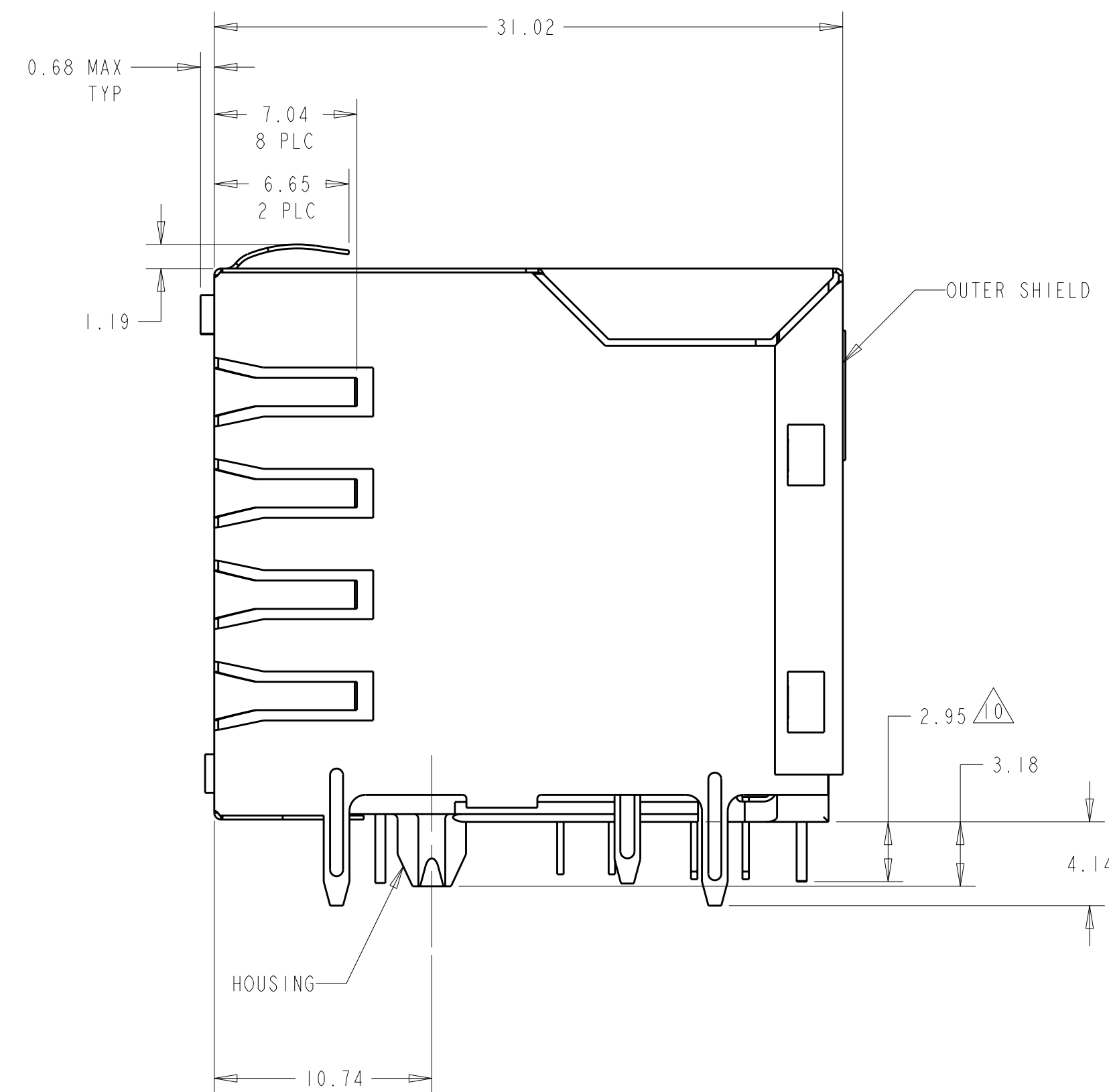
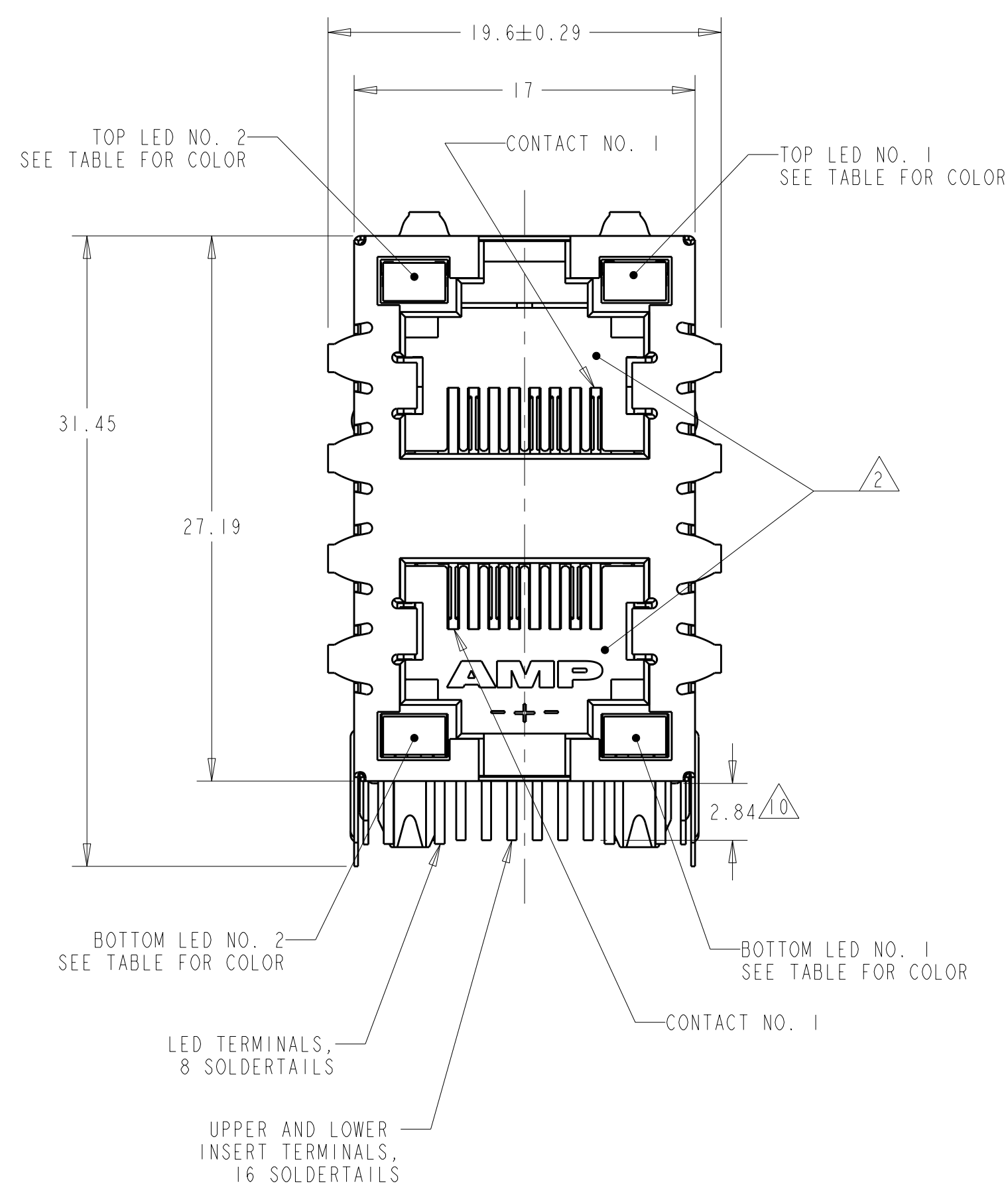
- [LED Color; Top Left](#) = Green/Orange
- [LED Color; Top Right](#) = Green/Orange
- [LED Color; Bottom Left](#) = Green/Orange
- [LED Color; Bottom Right](#) = Green/Orange

Product Availability:

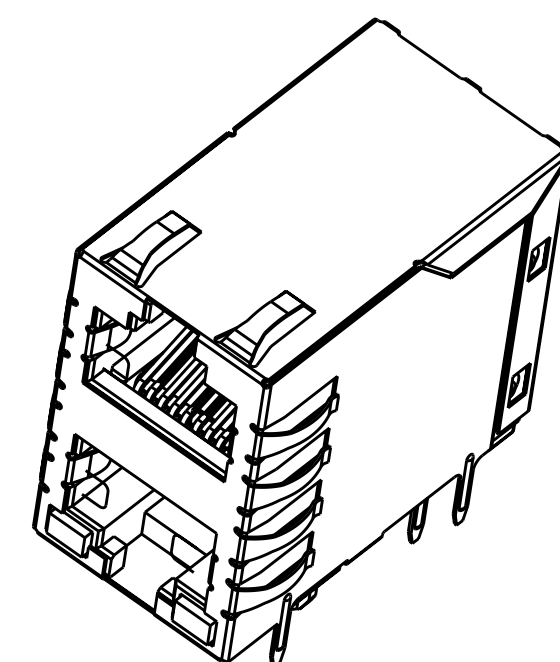
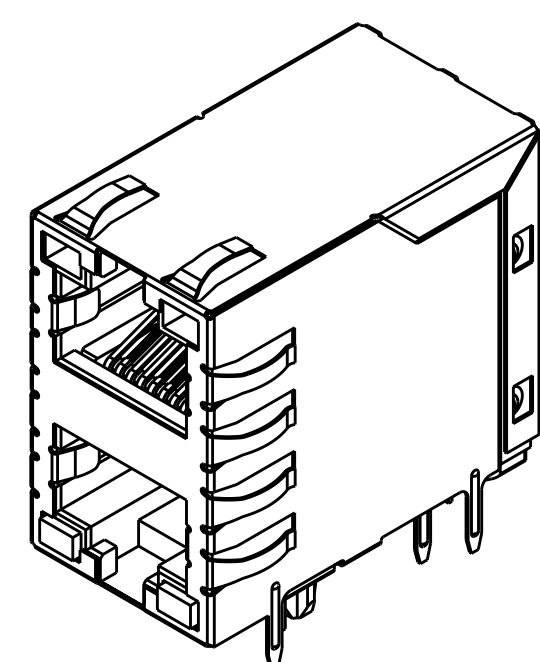
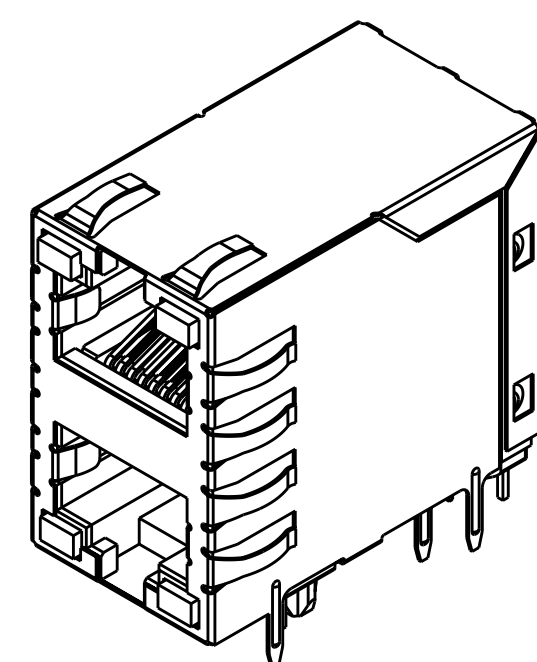
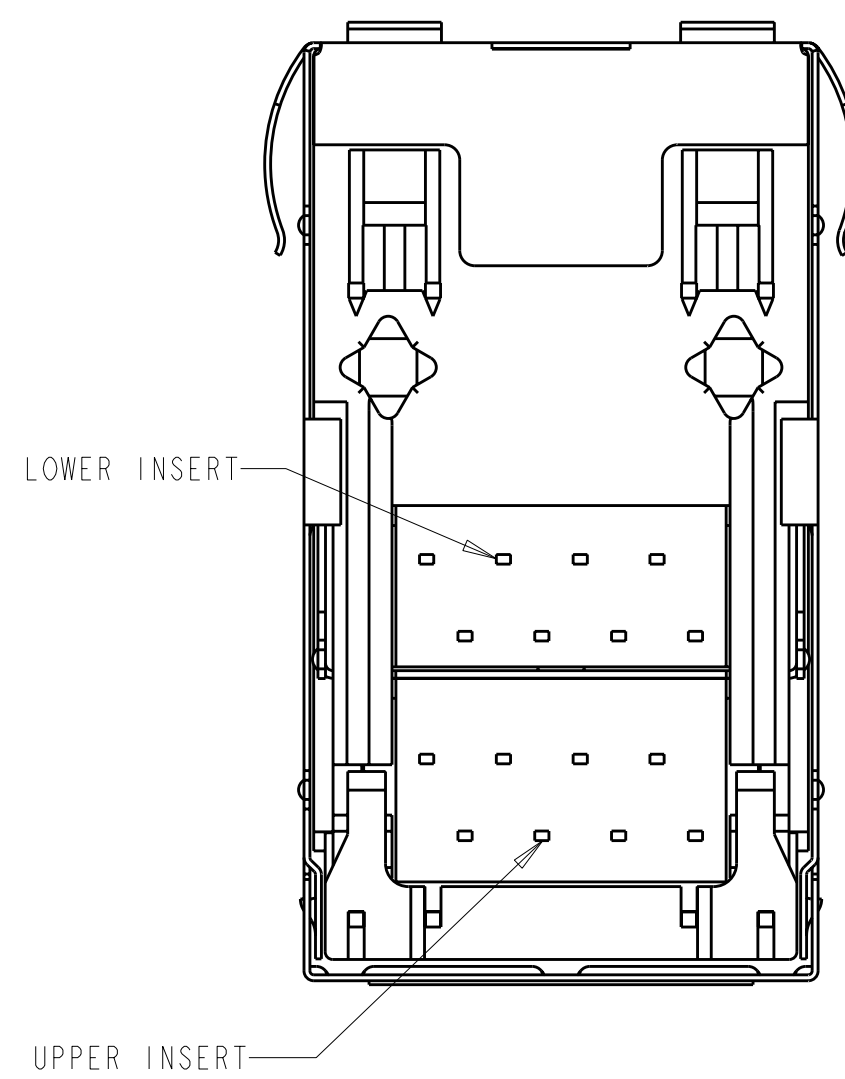
- [Region](#) = Asia, North America

Other:

- Brand = AMP



1. MATERIAL: **HOUSING** - PBT POLYESTER, BLACK, UL 94V-0.
TERMINALS - 0.33 THICK PHOSPHOR BRONZE PLATED WITH 1.27um MINIMUM THICK HARD GOLD IN LOCALIZED MATING INTERFACE AND 3.81um MINIMUM THICK MATTE TIN IN SOLDER AREA OVER 1.27um MINIMUM THICK NICKEL UNDERPLATE.
SHIELD - 0.196 THICK COPPER ALLOY PLATED WITH 1.27 um [0.00050] MINIMUM NICKEL AND 2.03 um [0.00080] MINIMUM HOT TIN DIP ON PCB GROUND TABS..
LIGHT EMITTING DIODE (LED) - DIFUSED EPOXY LENS, 0.51 X 0.51 CARBON STEEL WIREFRAME LEADS PREPLATED WITH 8.89 um THICK Sn/Cu OVER 2.03 um THICK Ag OVER 1.02 THICK Cu OVER 3.56 um THICK Ni OVER 1.02 um Cu UNDERPLATE
2. JACK CAVITY CONFORMS TO FCC RULES AND REGULATIONS, PART 68 SUBPART F.
3. SUGGESTED OPERATING CURRENT FOR THE LED IS 20mA. GREEN/ORANGE BI-COLOR LEDS ON 6368011-4 AND 1-6368011-0 WILL EMIT GREEN LIGHT ON FORWARD BIAS CURRENT AND ORANGE LIGHT ON REVERSE BIAS CURRENT. GREEN/RED BI-COLOR LEDS ON 6368011-9 AND 1-6368011-0 WILL EMIT GREEN LIGHT ON FORWARD BIAS CURRENT AND RED LIGHT ON REVERSE BIAS CURRENT. GREEN/YEL BI-COLOR LEDS ON 1-6368011-1 WILL EMIT GREEN LIGHT ON FORWARD BIAS CURRENT AND YELLOW LIGHT ON REVERSE BIAS CURRENT.
4. THIS MODULAR JACK WITH INTEGRATED LED IS NOT IR REFLOW SOLDERING PROCESS COMPATIBLE.
5. USE NO. 30 DRILL BIT OR 3.25mm DRILL BIT WHEN PRODUCING THESE PCB HOLES.
6. HM-15 LUBE APPLIED TO THE GOLD PLATED AREA OF THE TERMINALS ON 6368011-8 ONLY.
7. DATE CODE LOCATED ON REAR OF PART APPROX AS SHOWN: FIRST 2 DIGITS ARE LAST 2 DIGITS OF YEAR, SECOND 2 DIGITS ARE MANUFACTURING WORK WEEK, LAST DIGIT IS DAY OF WEEK, WITH SUNDAY=1.
8. THE PART NUMBER IS PRELIMINARY.
9. OBSOLETE PARTS: OBSOLETE CIS STREAMLINING PER D.RENAUD/D.SINISI
10. GROUND PIN AND ALL SIGNAL PINs' LENGTH SHOULD BE 4.06 MM EXCEPT OUTER SHIELD THIS REQUEST IS ONLY FOR PART 1-6368011-4

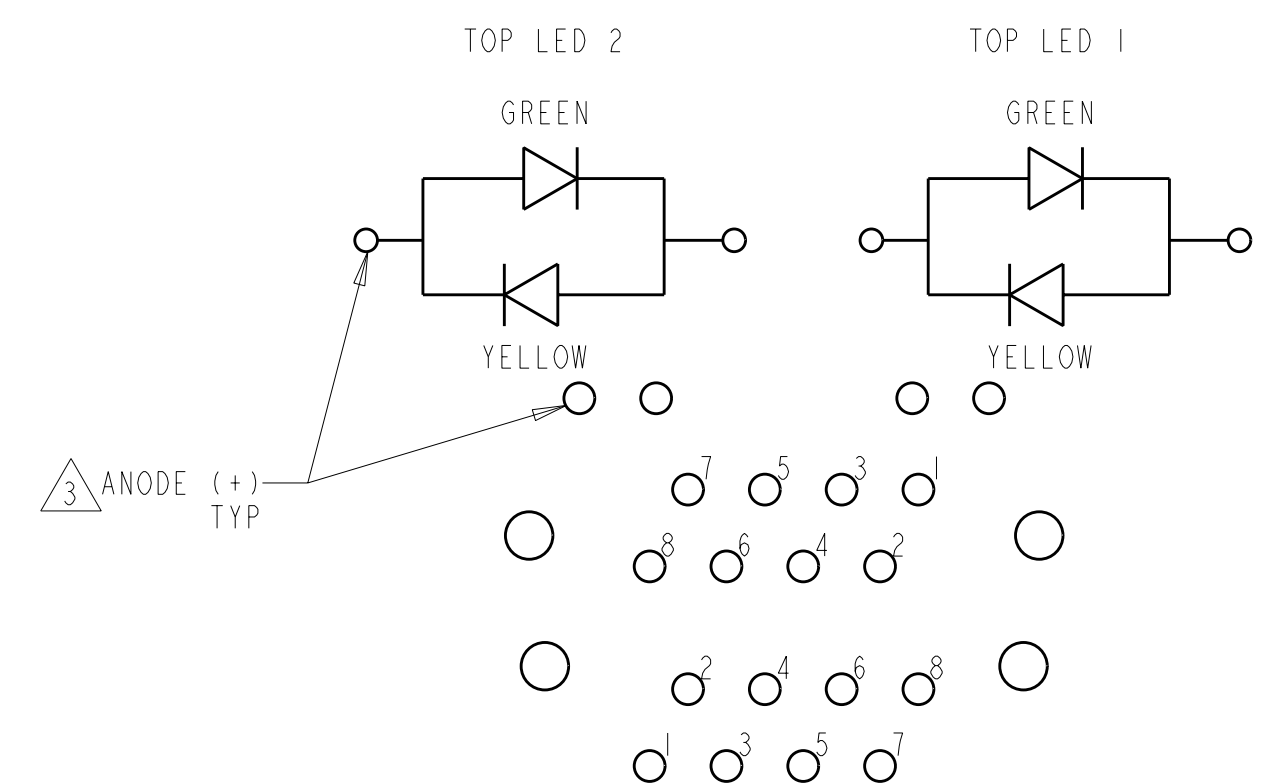


3.44 MAX	GREEN	GREEN	GREEN	GREEN	1-6368011-5
4.14	GREEN	YELLOW	GREEN	YELLOW	1-6368011-4
4.14	GREEN	YELLOW	N/A	N/A	1-6368011-3/8
4.14	GREEN/YELLOW	GREEN/YELLOW	GREEN/YELLOW	GREEN/YELLOW	1-6368011-0
4.14	GREEN/ORANGE	GREEN/ORANGE	GREEN/RED	GREEN/RED	1-6368011-1
4.14	GREEN/RED	GREEN/RED	GREEN/RED	GREEN/RED	6368011-9
4.14	YELLOW	GREEN	YELLOW	GREEN	6368011-8/6
4.14	GREEN	ORANGE	N/A	N/A	6368011-7
4.14	GREEN	GREEN	YELLOW	GREEN	6368011-6
4.14	YELLOW	GREEN	YELLOW	GREEN	6368011-5
4.14	GREEN/ORANGE	GREEN/ORANGE	GREEN/ORANGE	GREEN/ORANGE	6368011-4
4.14	GREEN	YELLOW	GREEN	YELLOW	6368011-3
4.14	YELLOW	GREEN	GREEN	YELLOW	6368011-2
4.14	GREEN	GREEN	GREEN	GREEN	6368011-1
DIM A	BOTTOM LED NO. 2	BOTTOM LED NO. 1	TOP LED NO. 2	TOP LED NO. 1	PART NUMBER

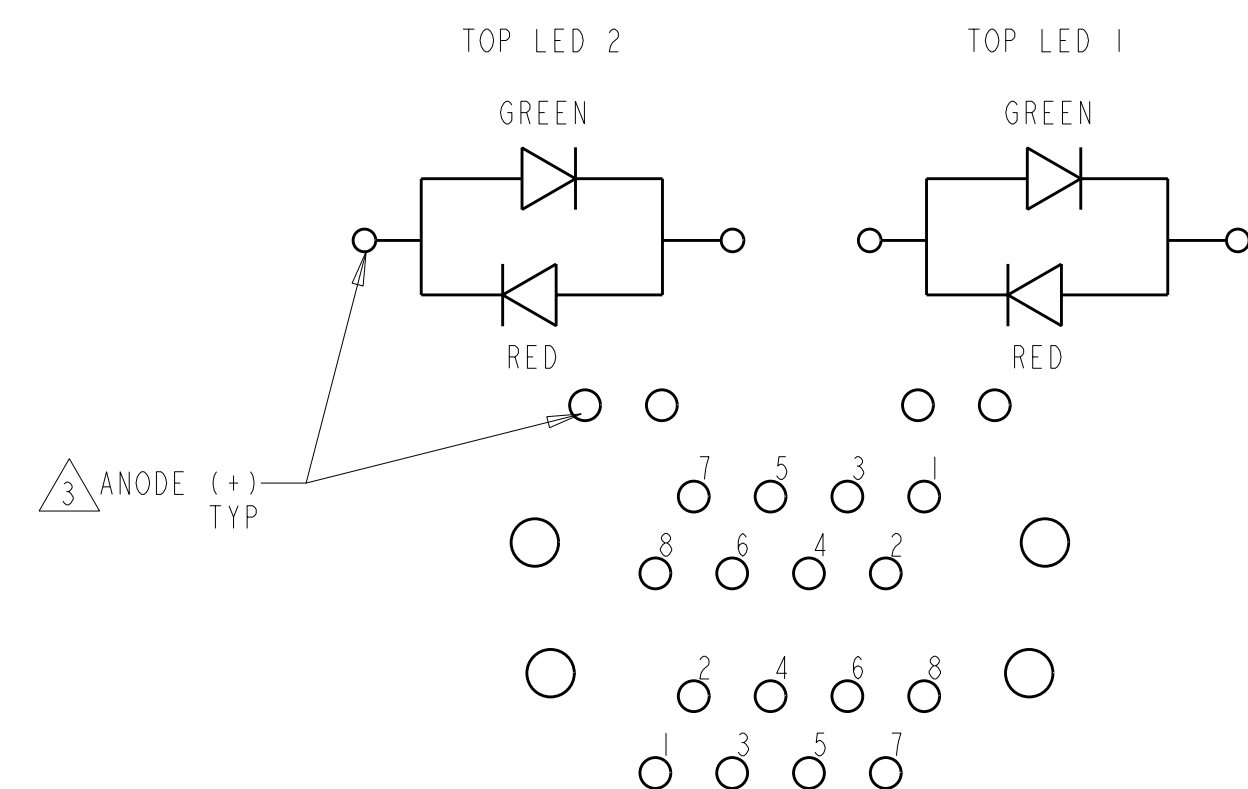
9 OBSOLETE

9 OBSOLETE

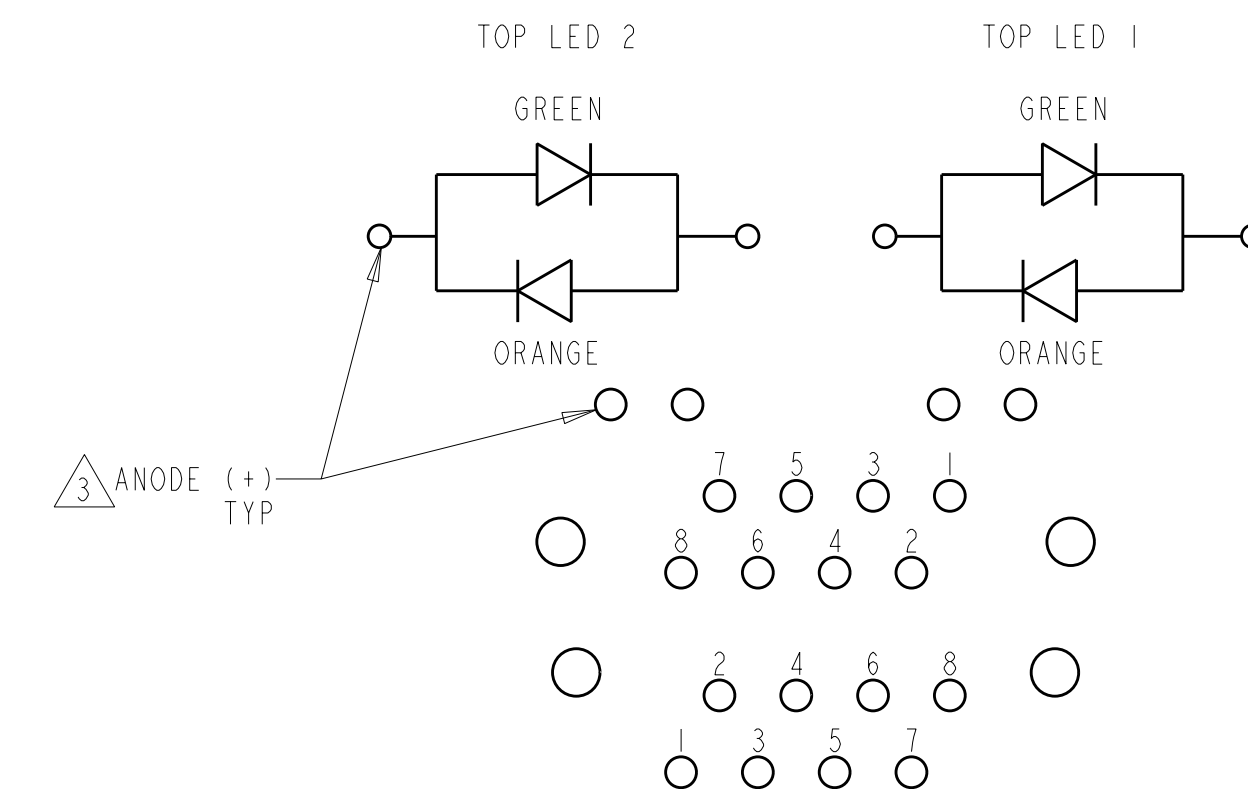
DWN		13APR2005		MATERIAL		SEE NOTE 1		HEAT TREAT	
Vic Slack/L.A.MAYER		13APR2005		TE Connectivity		S.FLICKINGER		TE Connectivity	
APVD		13APR2005		SCALE		SIZE		DRAWING NO	
S.FLICKINGER		1:1		A1		6368011		SHEET 1 of 3	
NAME		MODULAR JACK ASSEMBLY, STACKED, 2 X 1, 8 POSITION, SHIELDED,		REV		J			
P LTR		REVISION RECORD		DATE		DWN		APVD	
J		REV PER ECR-11-025824		13JAN2012		JJ		AC	
DIMENSIONS:		TOLERANCES UNLESS OTHERWISE SPECIFIED:		ANGLES:		SURFACE TEXTURE:			
mm		0 PLC ±		°		√			
		1 PLC ±							
		2 PLC ±0.25							
		3 PLC ±0.25							
		4 PLC ±							



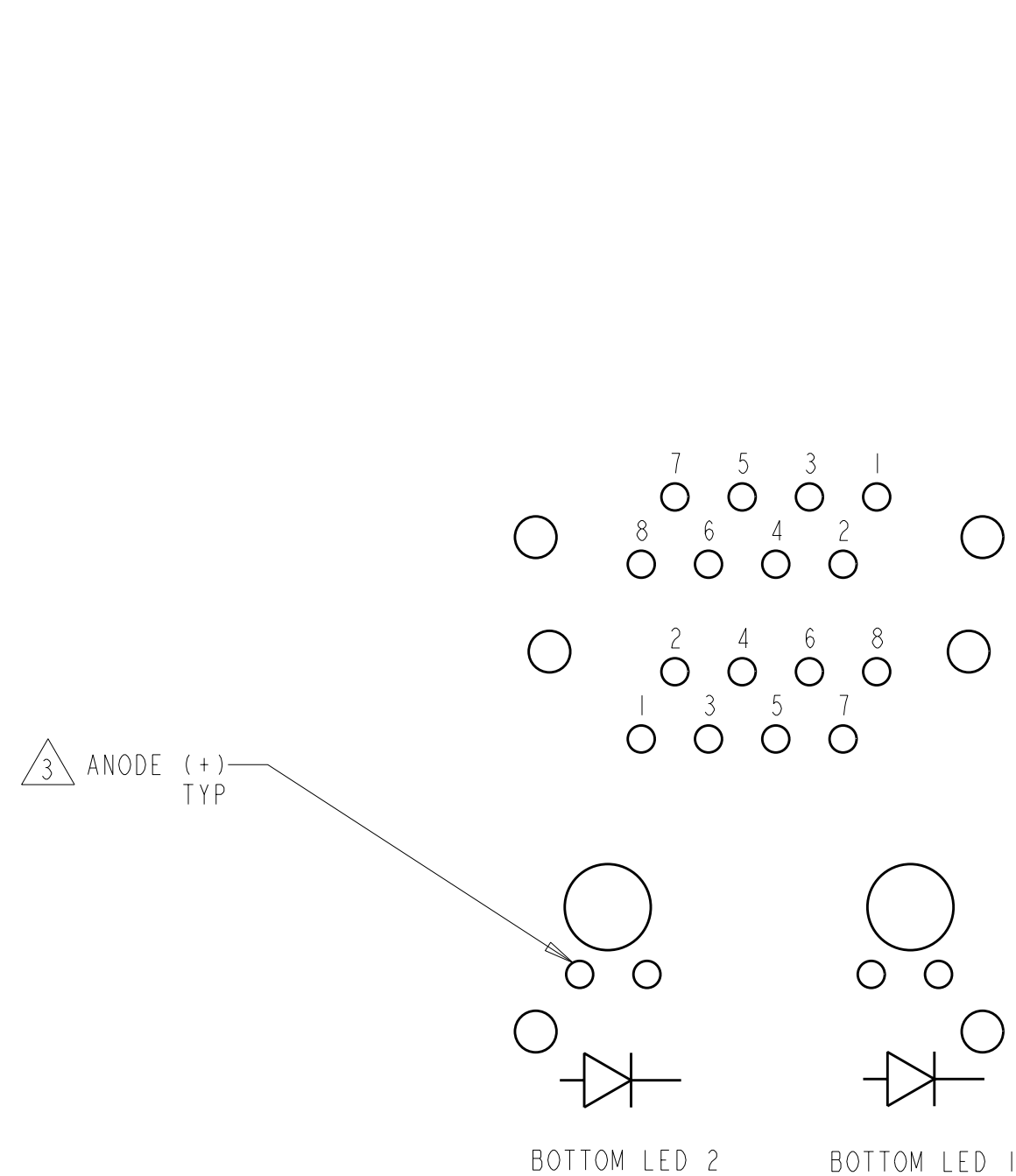
SCHEMATIC FOR 1-6368011-1
SCALE 4:1



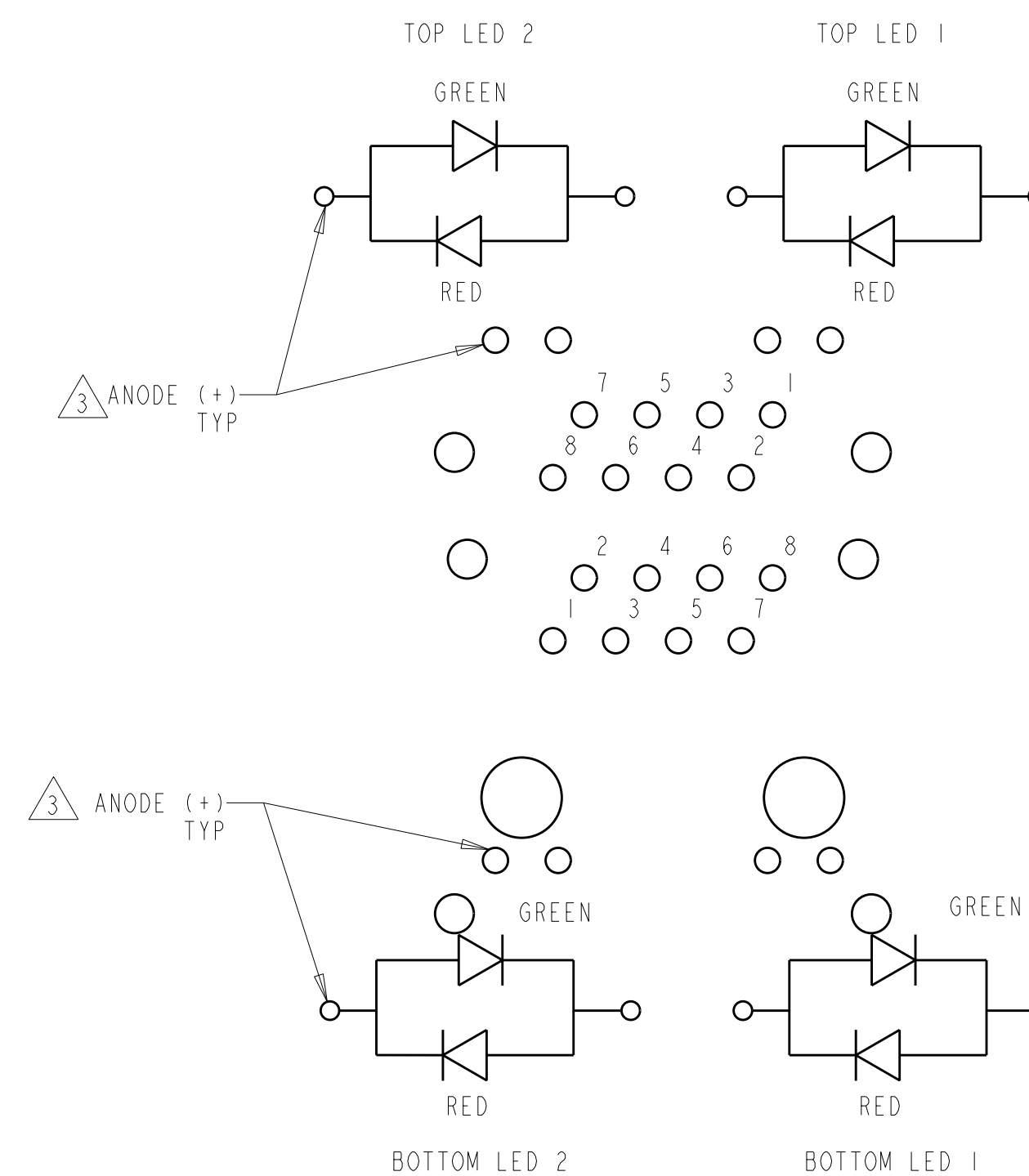
SCHEMATIC FOR 1-6368011-0
SCALE 4:1



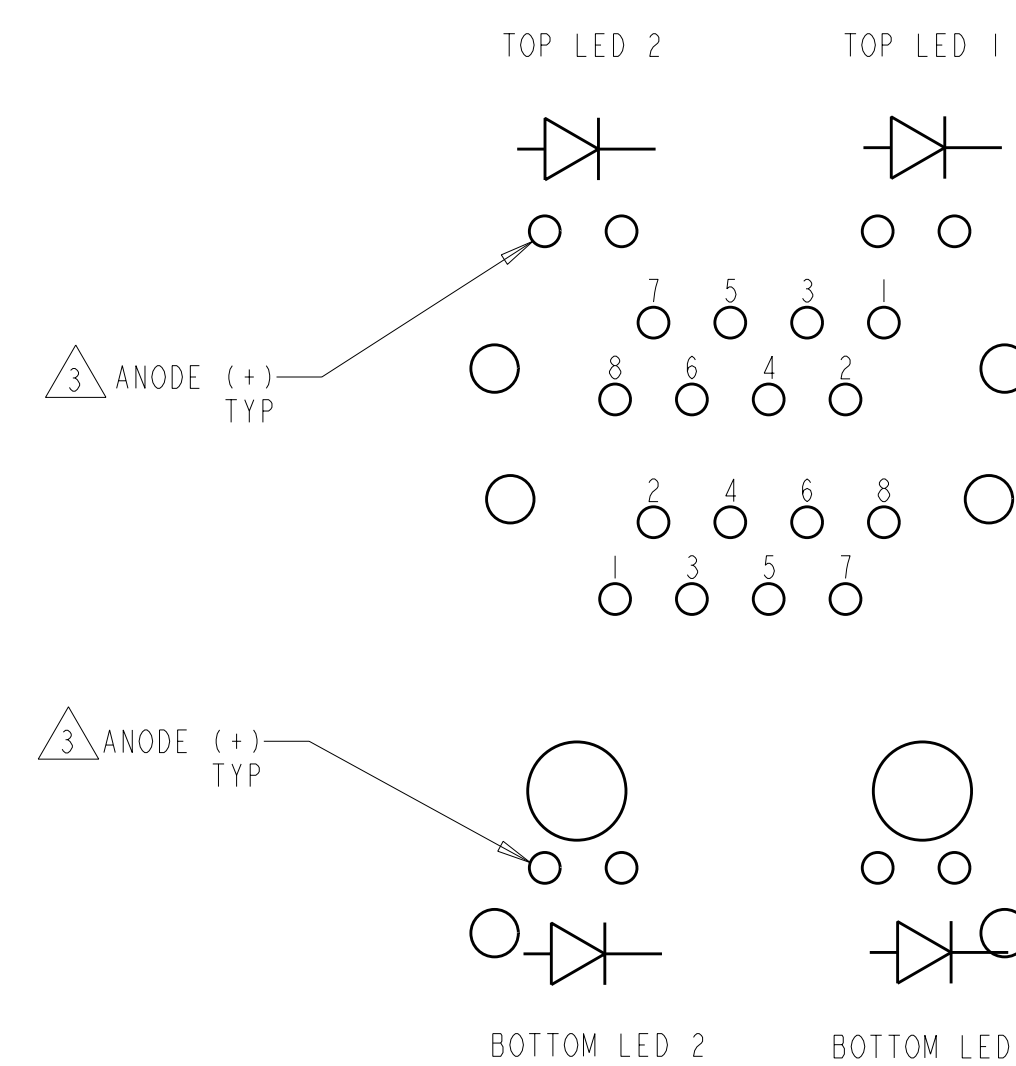
SCHEMATIC FOR 6368011-4
SCALE 4:1



SCHEMATIC FOR 6368011-7, 1-6368011-3



SCHEMATIC FOR 6368011-9
SCALE 4:1



SCHEMATIC FOR 6368011-1, -2, -3, -5, -6, -8, 14
SCALE 4:1

LOC
AA
D1S1
22

3308-8 13/11

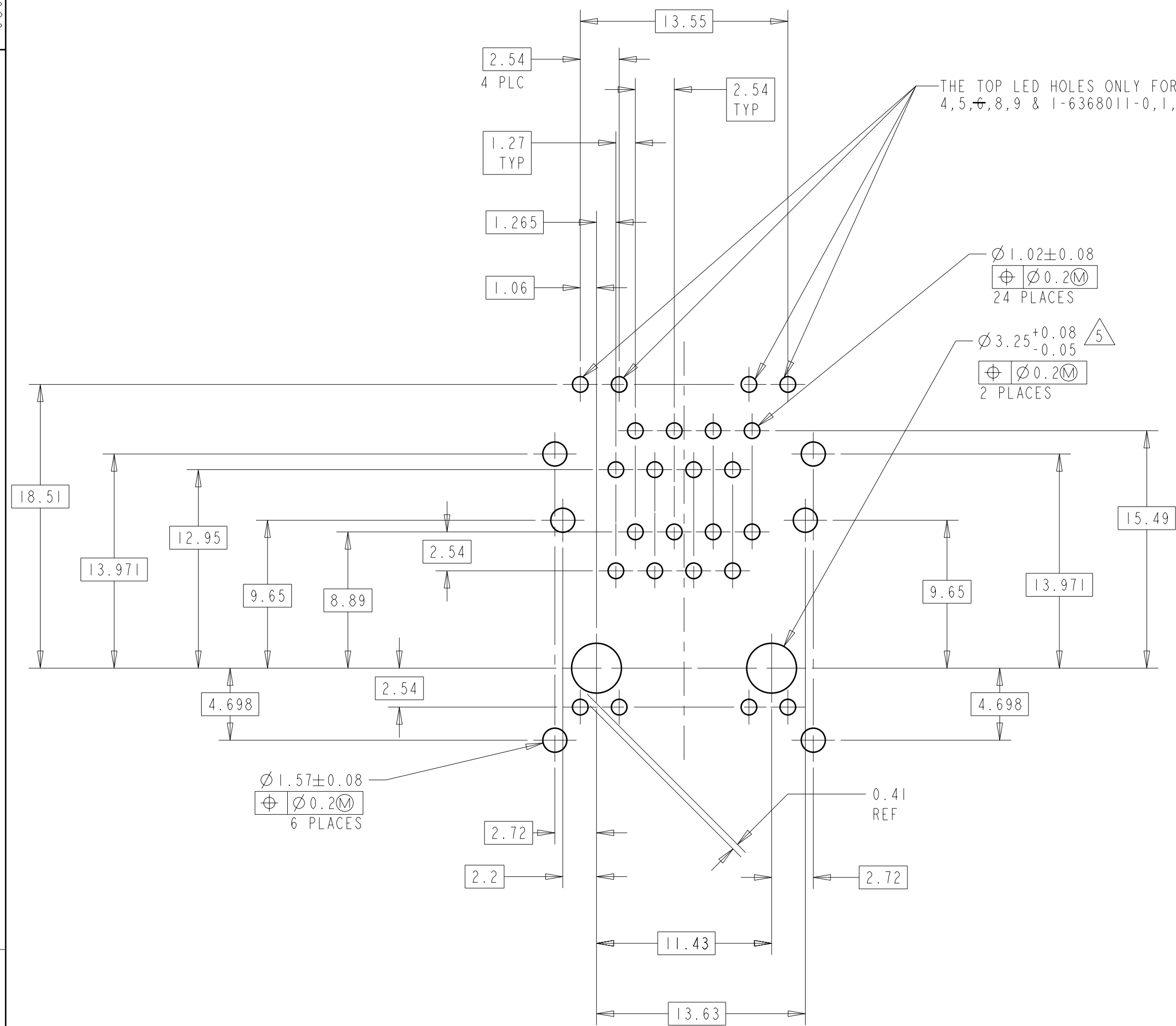
P	LTR	REVISION RECORD	DATE	DNW	APVD
		SEE SHEET 1			

DIMENSIONS: mm		TOLERANCES UNLESS OTHERWISE SPECIFIED:	
0 PLC	±	1 PLC	±0.25
2 PLC	±	3 PLC	±0.25
4 PLC	±		
ANGLES:		SURFACE TEXTURE	

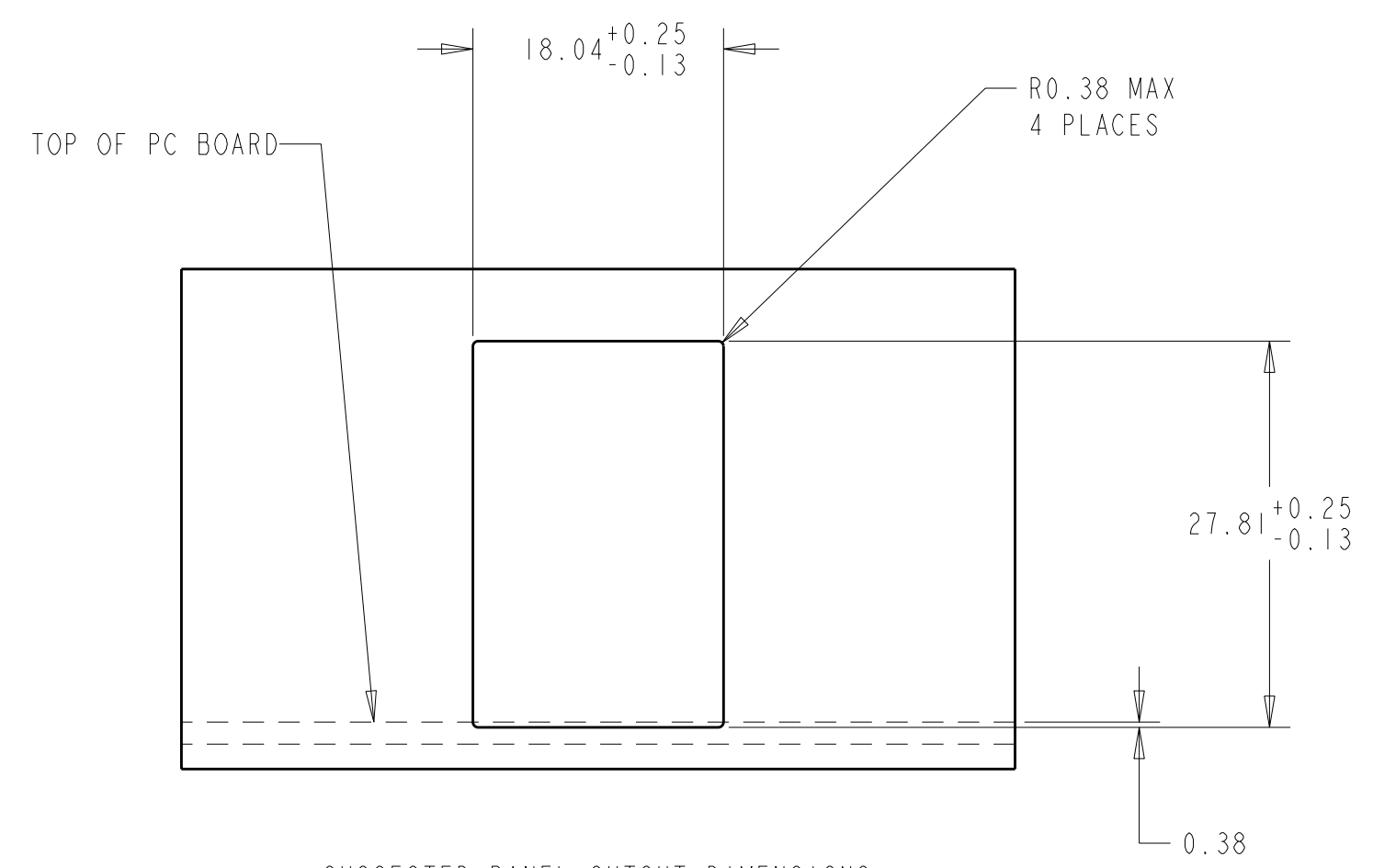
DNW	13APR2005	MATERIAL	SEE NOTE 1	HEAT TREAT	-
CHK	13APR2005				
APVD	13APR2005				
S. FLICKINGER					
NAME: MODULAR JACK ASSEMBLY, STACKED, 2 X 1, 8 POSITION, SHIELDED,					
SCALE	1:1	SIZE	A1	DRAWING NO	6368011
SHEET	2	OF	3	REV	J

DWG NO
6368011

THIS DRAWING IS A CONTROLLED DOCUMENT



PC BOARD LAYOUT VIEWED FROM COMPONENT SIDE OF BOARD
SCALE 4:1



SUGGESTED PANEL CUTOUT DIMENSIONS
SCALE 2:1

THIS INFORMATION IS CONFIDENTIAL AND PROPRIETARY TO TEO ELECTRONICS CORPORATION. IT IS TO BE KEPT AS SUCH AND NOT TO BE DISCLOSED TO ANYONE, OTHER THAN THE PERSONNEL, WITHOUT AUTHORIZATION FROM TEO ELECTRONICS CORPORATION.

LOC	AA
DIST	22
3308-8	13/11

P	LTR	REVISION RECORD	DATE	DWN	APVD
-	-	SEE SHEET 1	-	-	-

DIMENSIONS:		TOLERANCES UNLESS OTHERWISE SPECIFIED:	
mm	0 PLC ±	1 PLC ±	2 PLC ±
0.25	3 PLC ±	4 PLC ±	
0.25			
ANGLE:			
SURFACE TEXTURE:			

DWN	13APR2005	MATERIAL	SEE NOTE 1	HEAT TREAT	-
CHK	Vic Slack/L.A.MAYER				
APVD	13APR2005				
J.WESTMAN					
S.FLICKINGER					
NAME MODULAR JACK ASSEMBLY, STACKED, 2 X 1, 8 POSITION, SHIELDED,					
SCALE	1:1	SIZE	A1	DRAWING NO	6368011
SHEET	3	OF	3	REV	J

