

Distributed by:

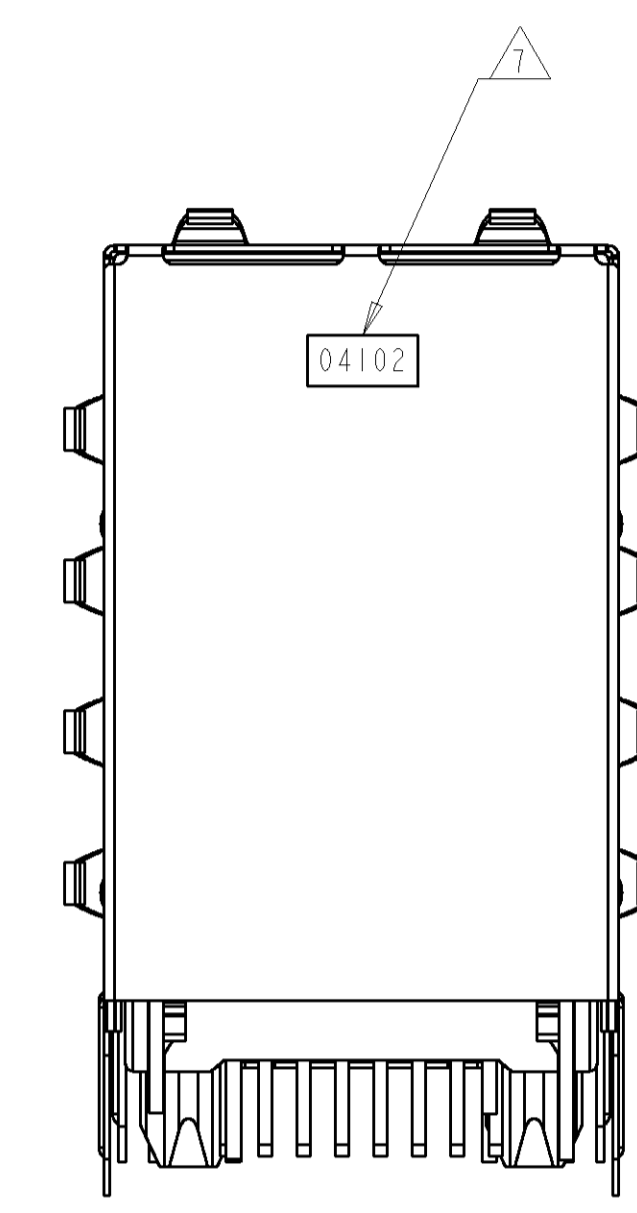
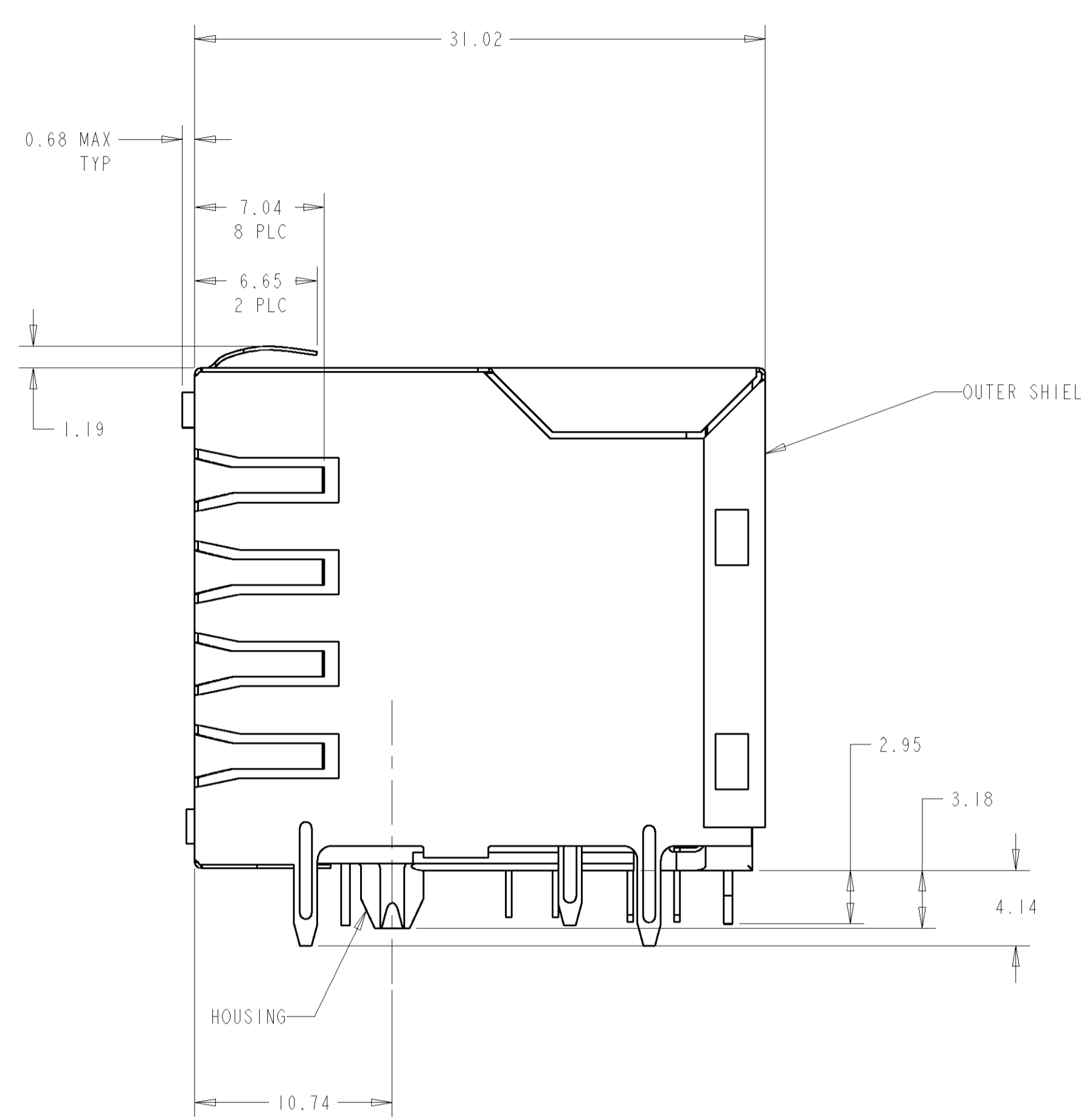
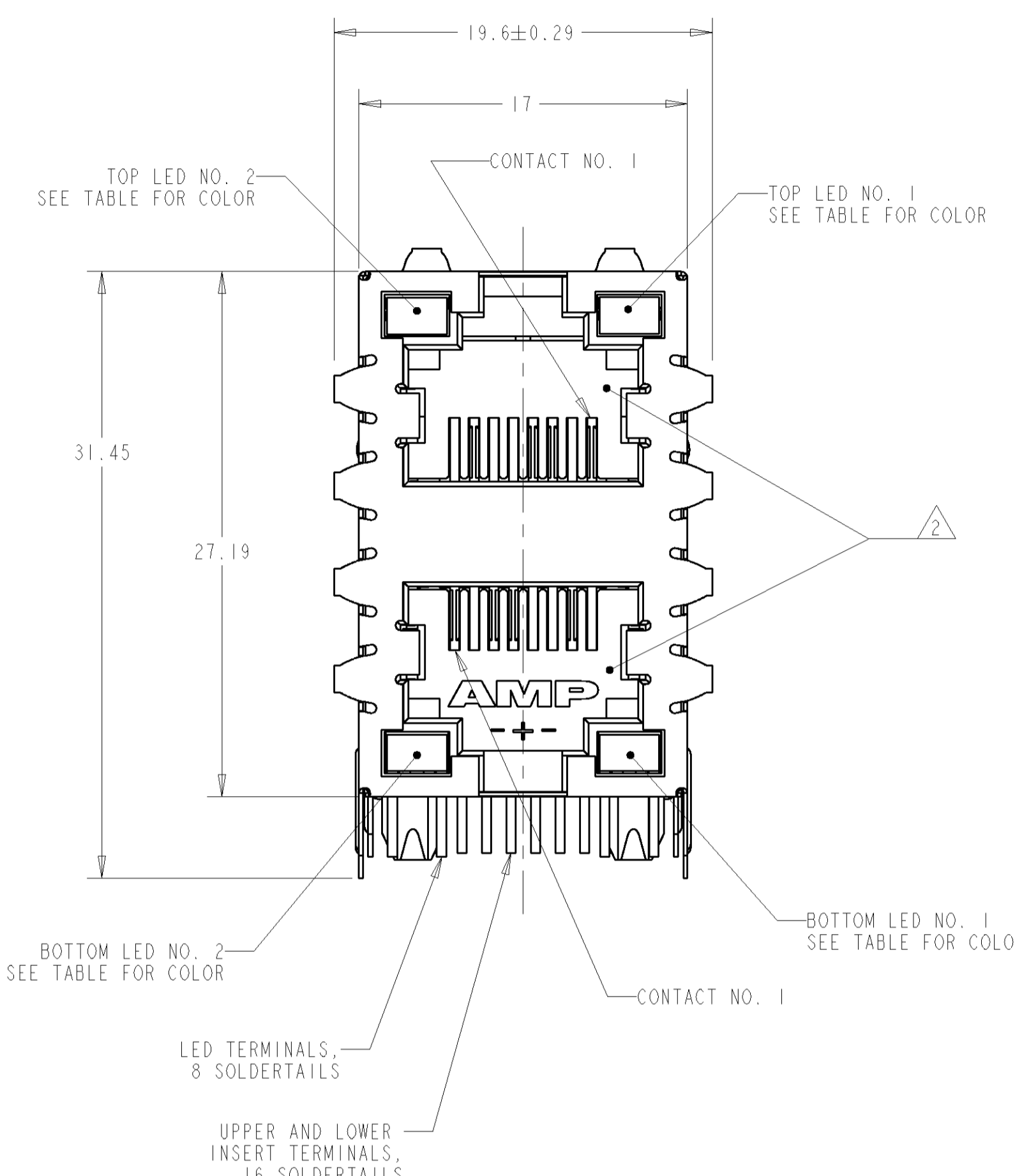
**JAMECO**<sup>®</sup>  
ELECTRONICS

**www.Jameco.com ♦ 1-800-831-4242**

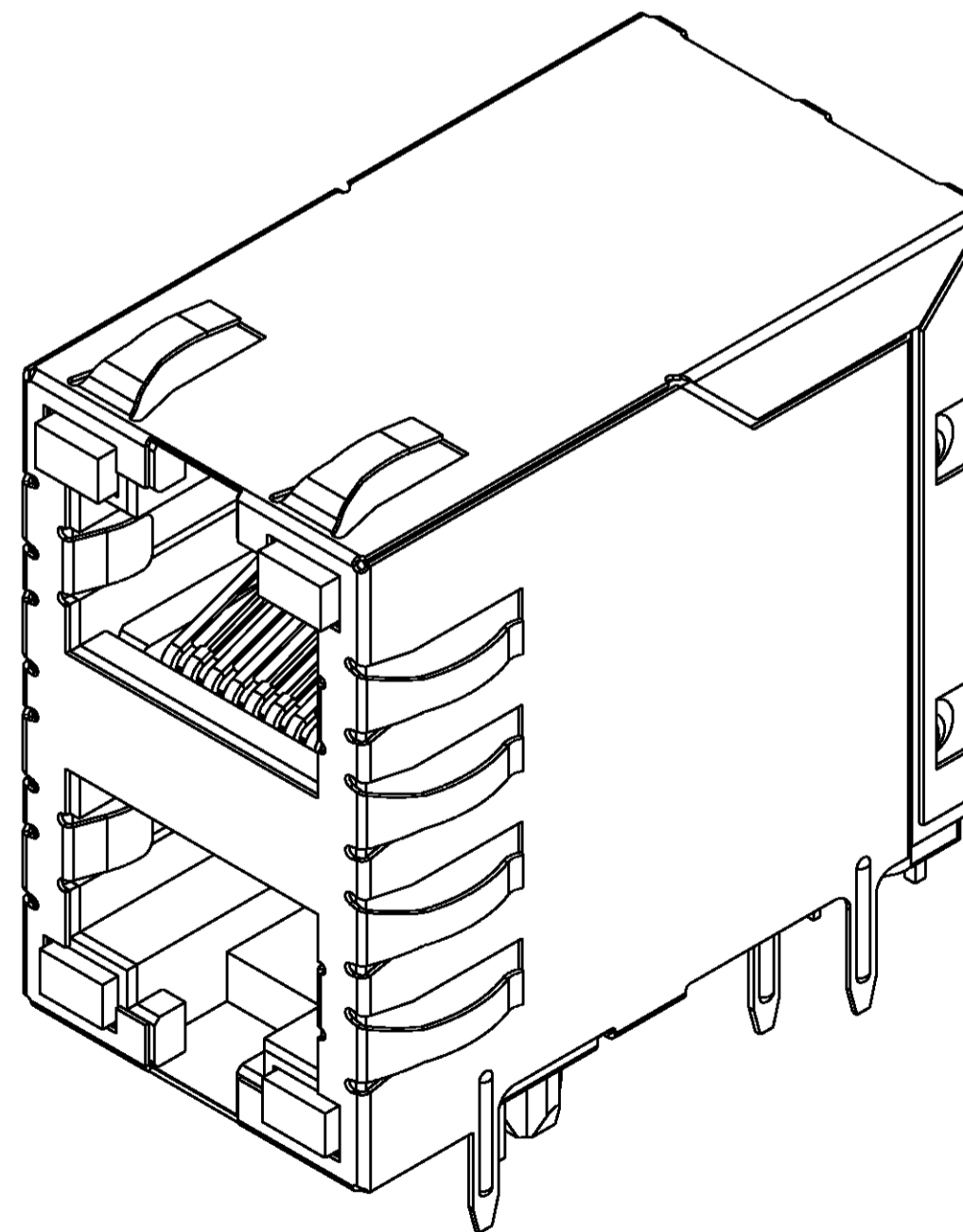
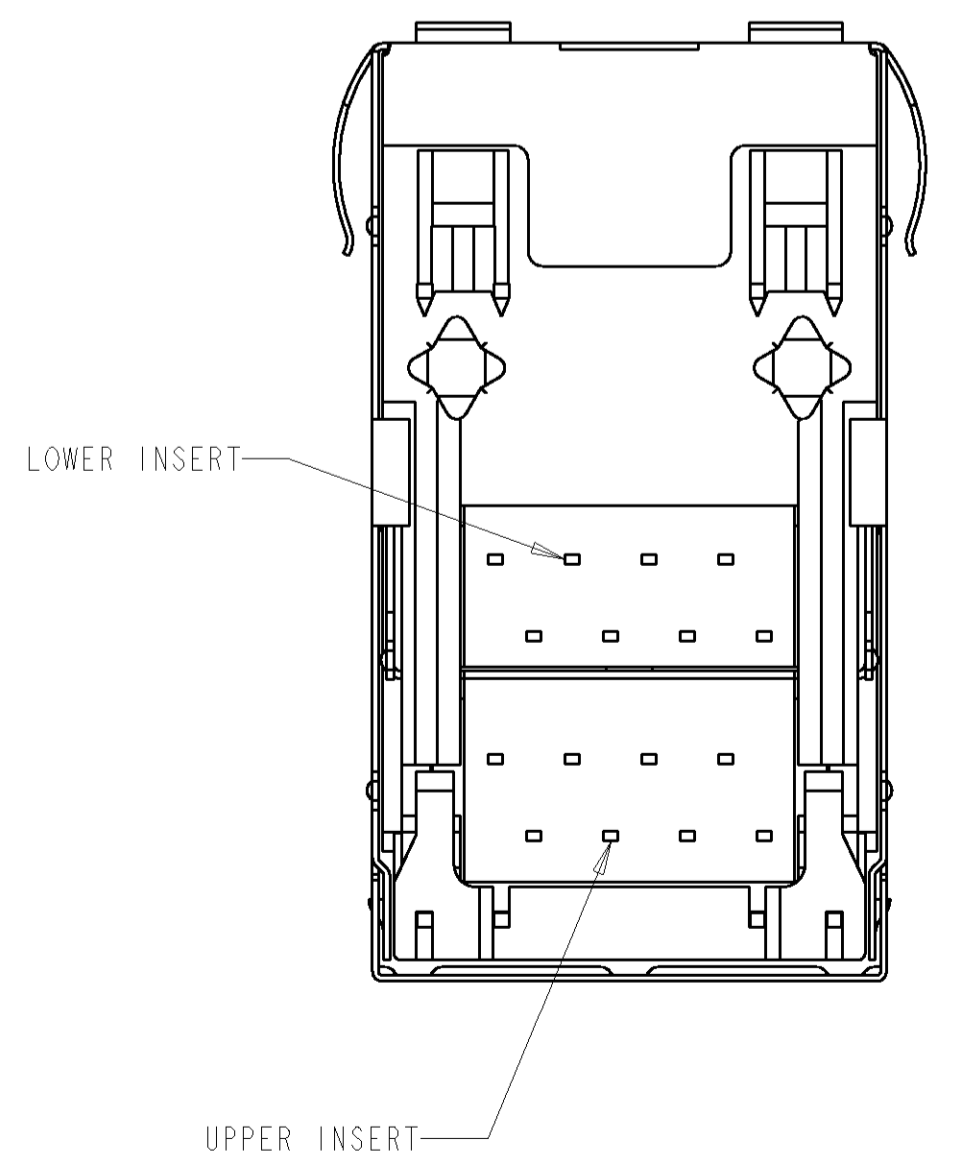
The content and copyrights of the attached  
material are the property of its owner.

Jameco Part Number 964934

LOC	DIST	REVISIONS					
AA	22	P	LTR	DESCRIPTION	DATE	DWN	APVD
		A		ED0511-0201-04	13APR2005	LAM	SF
		B		REV PER 0515-0020-05	10AUG2005	RG	JW
		C		REV PER ECO-05-015498	07DEC2005	RG	MY
		D		ECO-06-007636	04APR2006	LAM	JW



- MATERIAL: HOUSING - PBT POLYESTER, BLACK, UL 94V-0.  
 TERMINALS - 0.33 THICK PHOSPHOR BRONZE PLATED WITH 1.27um MINIMUM THICK HARD GOLD IN LOCALIZED MATING INTERFACE AND 3.81um MINIMUM THICK MATTE TIN IN SOLDER AREA OVER 1.27um MINIMUM THICK NICKEL UNDERPLATE.  
 SHIELD - 0.196 THICK COPPER ALLOY PLATED WITH 2.03um MINIMUM TIN OVER 1.27um MINIMUM NICKEL.  
 LIGHT EMITTING DIODE (LED) - DIFFUSED EPOXY LENS, 0.51 X 0.51 CARBON STEEL WIREFRAME LEADS PREPLATED WITH 8.89 um THICK Sn/Cu OVER 2.03 um THICK Ag OVER 1.02 THICK Cu OVER 3.56 um THICK Ni OVER 1.02 um Cu UNDERPLATE.
- JACK CAVITY CONFORMS TO FCC RULES AND REGULATIONS, PART 68 SUBPART F.
- SUGGESTED OPERATING CURRENT FOR THE LED IS 20mA. GREEN/ORANGE BI-COLOR LEDS ON 6368011-4 AND 1-6368011-0 WILL EMIT GREEN LIGHT ON FORWARD BIAS CURRENT AND ORANGE LIGHT ON REVERSE BIAS CURRENT. GREEN/RED BI-COLOR LEDS ON 6368011-9 AND 1-6368011-0 WILL EMIT GREEN LIGHT ON FORWARD BIAS CURRENT AND RED LIGHT ON REVERSE BIAS CURRENT. GREEN/YEL BI-COLOR LEDS ON 1-6368011-1 WILL EMIT GREEN LIGHT ON FORWARD BIAS CURRENT AND YELLOW LIGHT ON REVERSE BIAS CURRENT.
- THIS MODULAR JACK WITH INTEGRATED LED IS NOT IR REFLOW SOLDERING PROCESS COMPATIBLE.
- USE NO. 30 DRILL BIT OR 3.25mm DRILL BIT WHEN PRODUCING THESE PCB HOLES.
- HM-15 LUBE APPLIED TO THE GOLD PLATED AREA OF THE TERMINALS ON 6368011-8 ONLY.
- DATE CODE LOCATED ON REAR OF PART APPROX AS SHOWN: FIRST 2 DIGITS ARE LAST 2 DIGITS OF YEAR, SECOND 2 DIGITS ARE MANUFACTURING WORK WEEK, LAST DIGIT IS DAY OF WEEK, WITH SUNDAY=1.

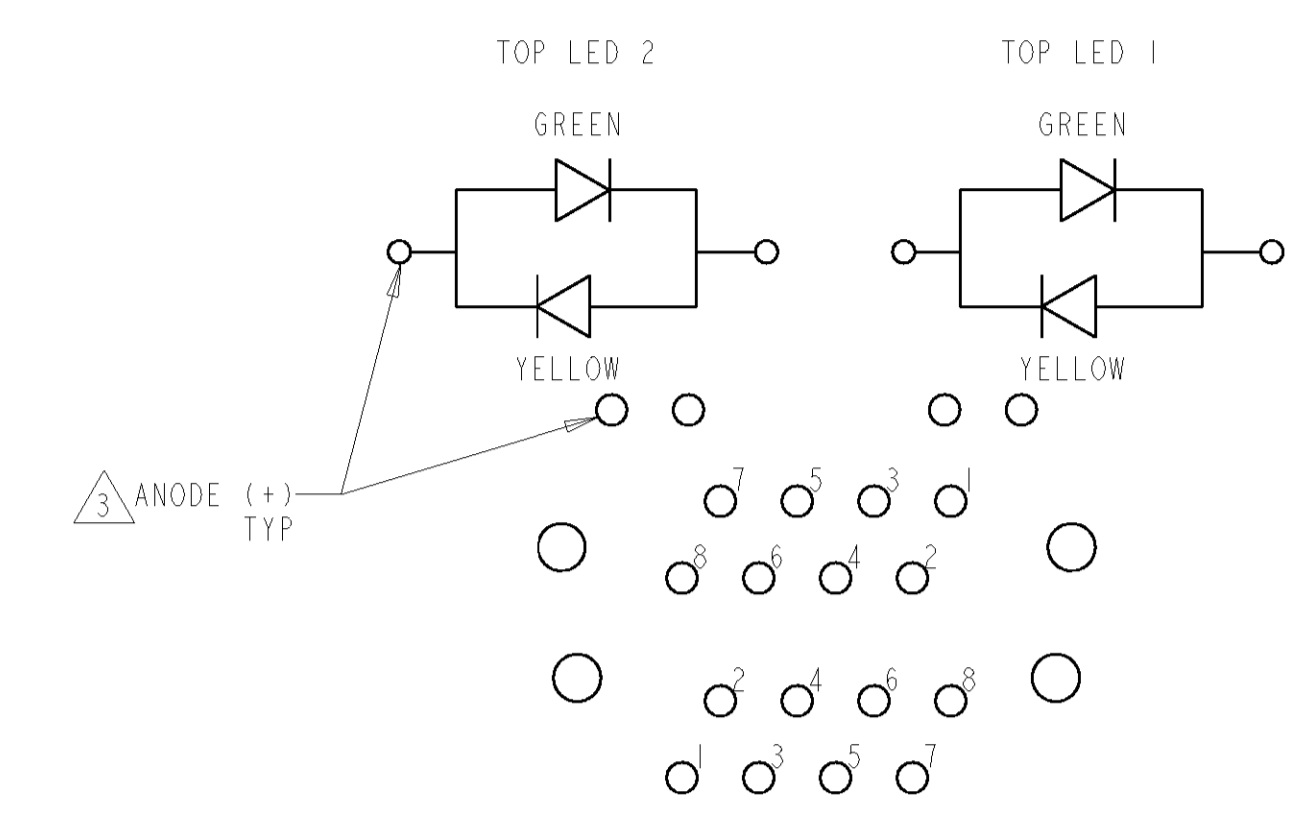


SCALE 4:1

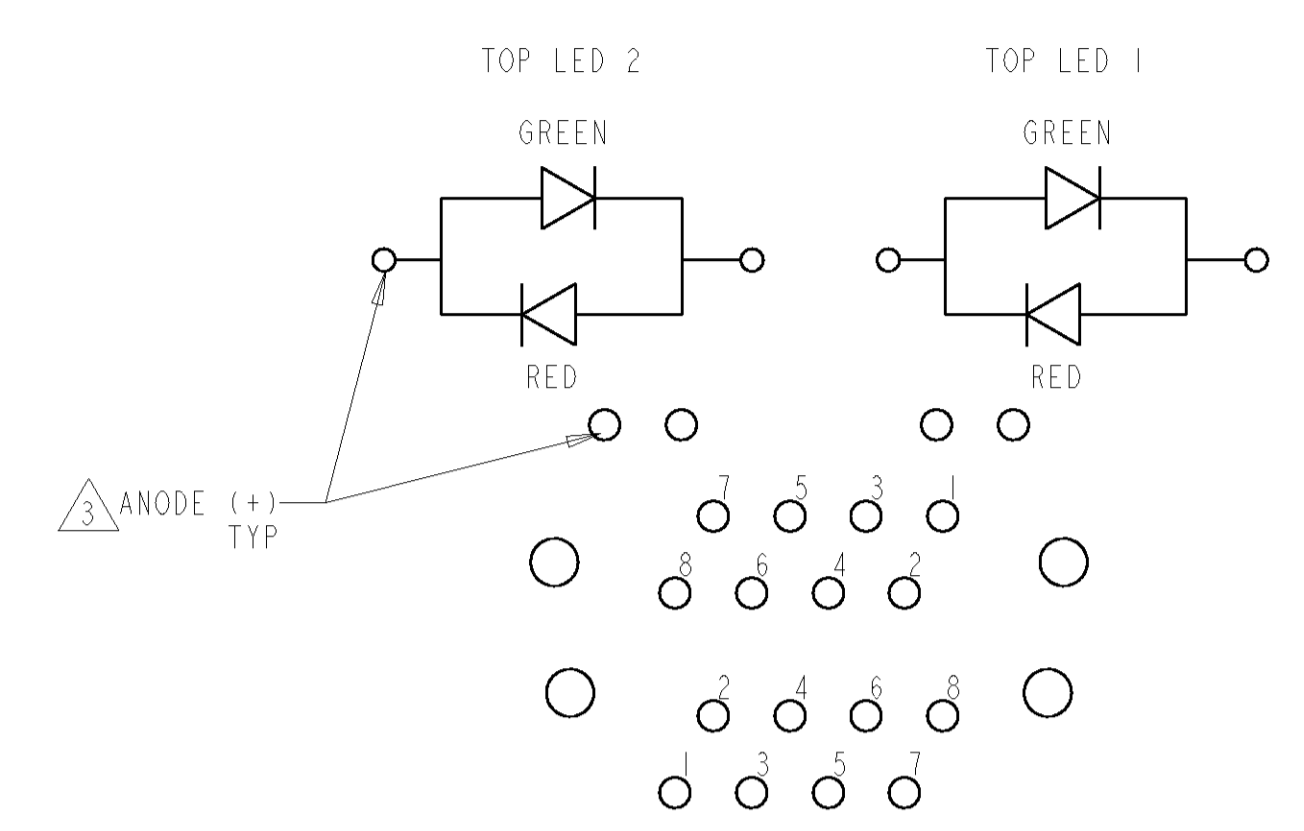
LED 1	LED 2	LED 3	LED 4	PART NUMBER
GREEN/YELLOW	GREEN/YELLOW	GREEN/YELLOW	GREEN/YELLOW	1-6368011-1
GREEN/ORANGE	GREEN/ORANGE	GREEN/RED	GREEN/RED	1-6368011-0
GREEN/RED	GREEN/RED	GREEN/RED	GREEN/RED	6368011-9
YELLOW	GREEN	YELLOW	GREEN	6368011-8
GREEN	ORANGE	N/A	N/A	6368011-7
GREEN	GREEN	YELLOW	GREEN	6368011-6
YELLOW	GREEN	YELLOW	GREEN	6368011-5
GREEN/ORANGE	GREEN/ORANGE	GREEN/ORANGE	GREEN/ORANGE	6368011-4
GREEN	YELLOW	GREEN	YELLOW	6368011-3
YELLOW	GREEN	GREEN	YELLOW	6368011-2
GREEN	GREEN	GREEN	GREEN	6368011-1

DIMENSIONS: mm 		TOLERANCES UNLESS OTHERWISE SPECIFIED: 0 PLC ± 1 PLC ±0.25 2 PLC ± 3 PLC ± 4 PLC ± ANGLES ± FINISH SEE NOTE 1		DWN: Tyco Slick/A. MAYER CDR: J. WESTMAN APVD: S. FLICKINGER DATE: 13APR2005 PRODUCT SPEC: 108-1163-2 APPLICATION SPEC: 114-2154 WEIGHT: - FINISH: SEE NOTE 1		Tyco Electronics Harrisburg, PA 17105-3608 NAME: MODULAR JACK ASSEMBLY, STACKED, 2 X 1, 8 POSITION, SHIELDED, PANEL GROUND, LED, CATEGORY 5 SIZE: A1 CAGE CODE: 00779 DRAWING NO: C=6368011 SCALE: 1:1 SHEET: 1 OF 3 REV: D	
-----------------------	--	--	--	--	--	---	--

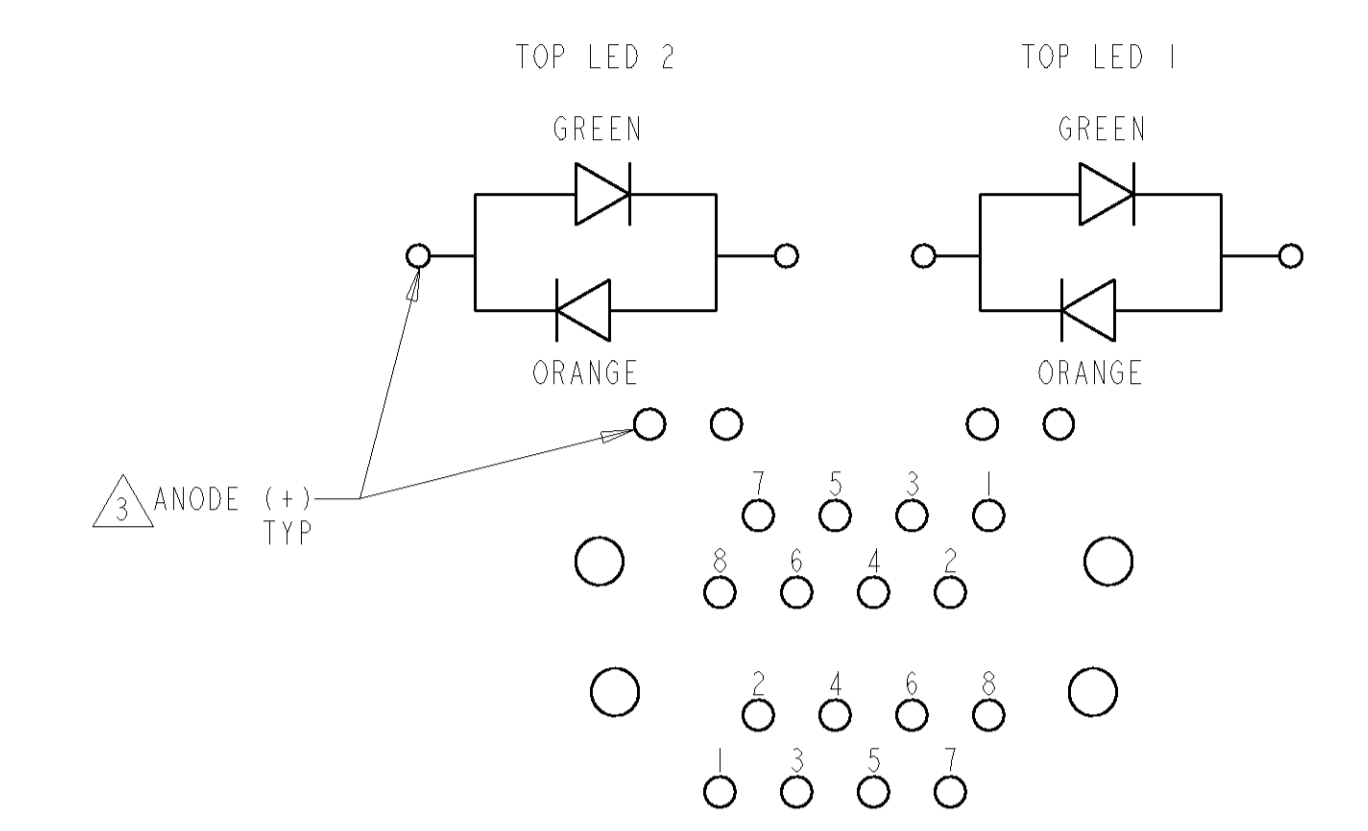
LOC	DIST	REVISIONS					
AA	22	P	LTR	DESCRIPTION	DATE	DWN	APVD
		-	-	SEE SHEET 1	-	-	-



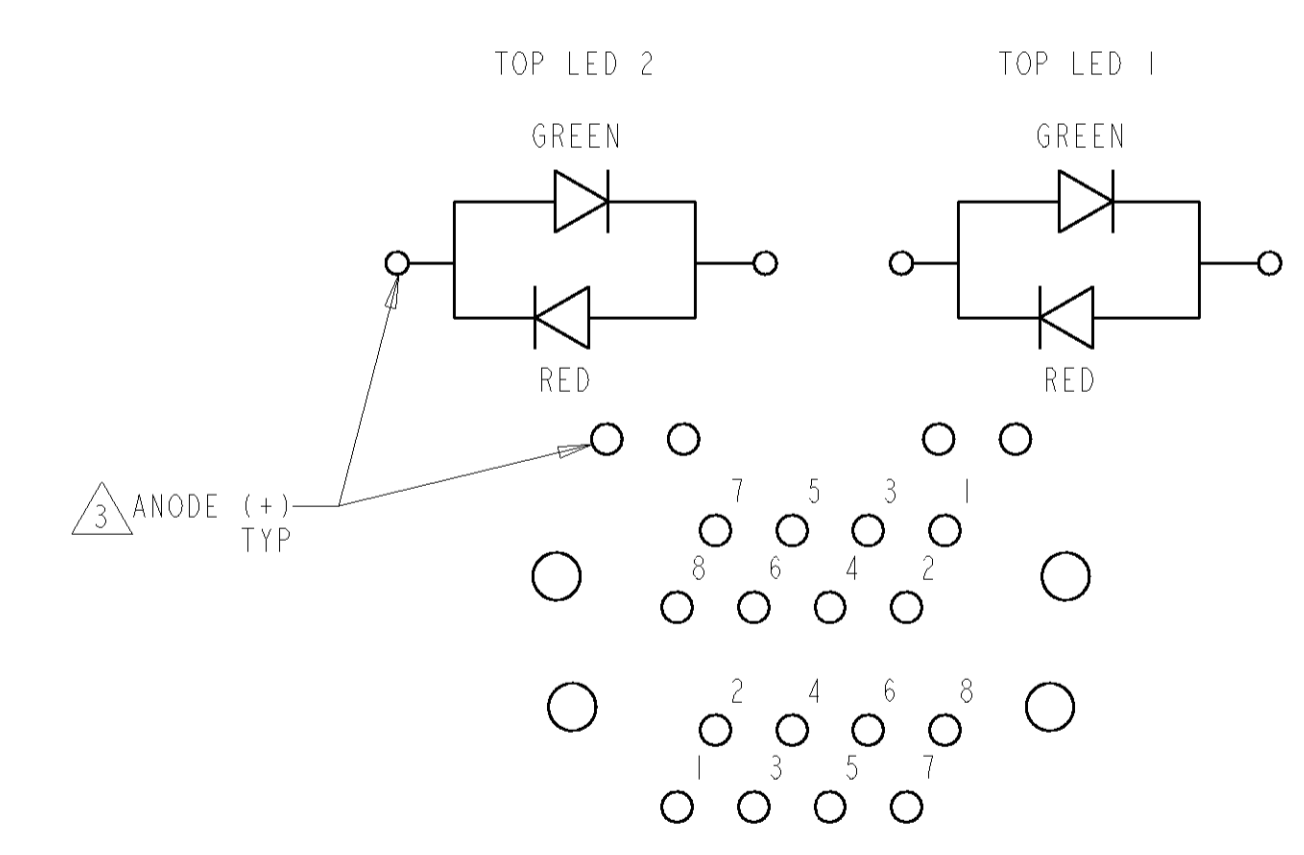
SCHEMATIC FOR 1-6368011-1  
 SCALE 4:1



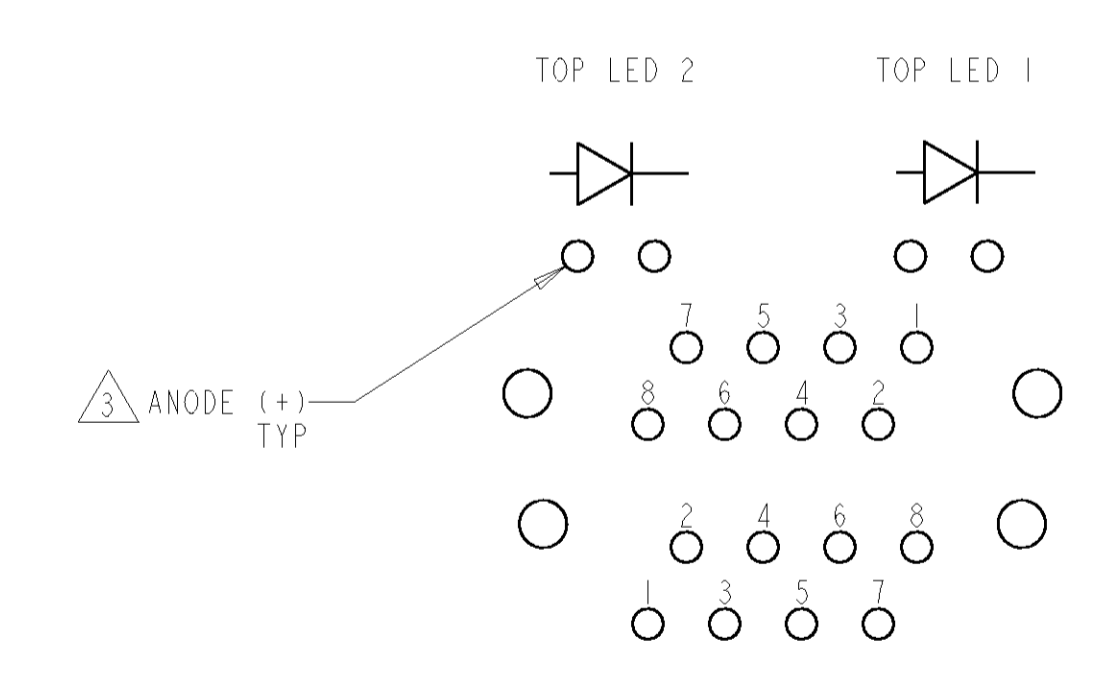
SCHEMATIC FOR 1-6368011-0  
 SCALE 4:1



SCHEMATIC FOR 6368011-4  
 SCALE 4:1



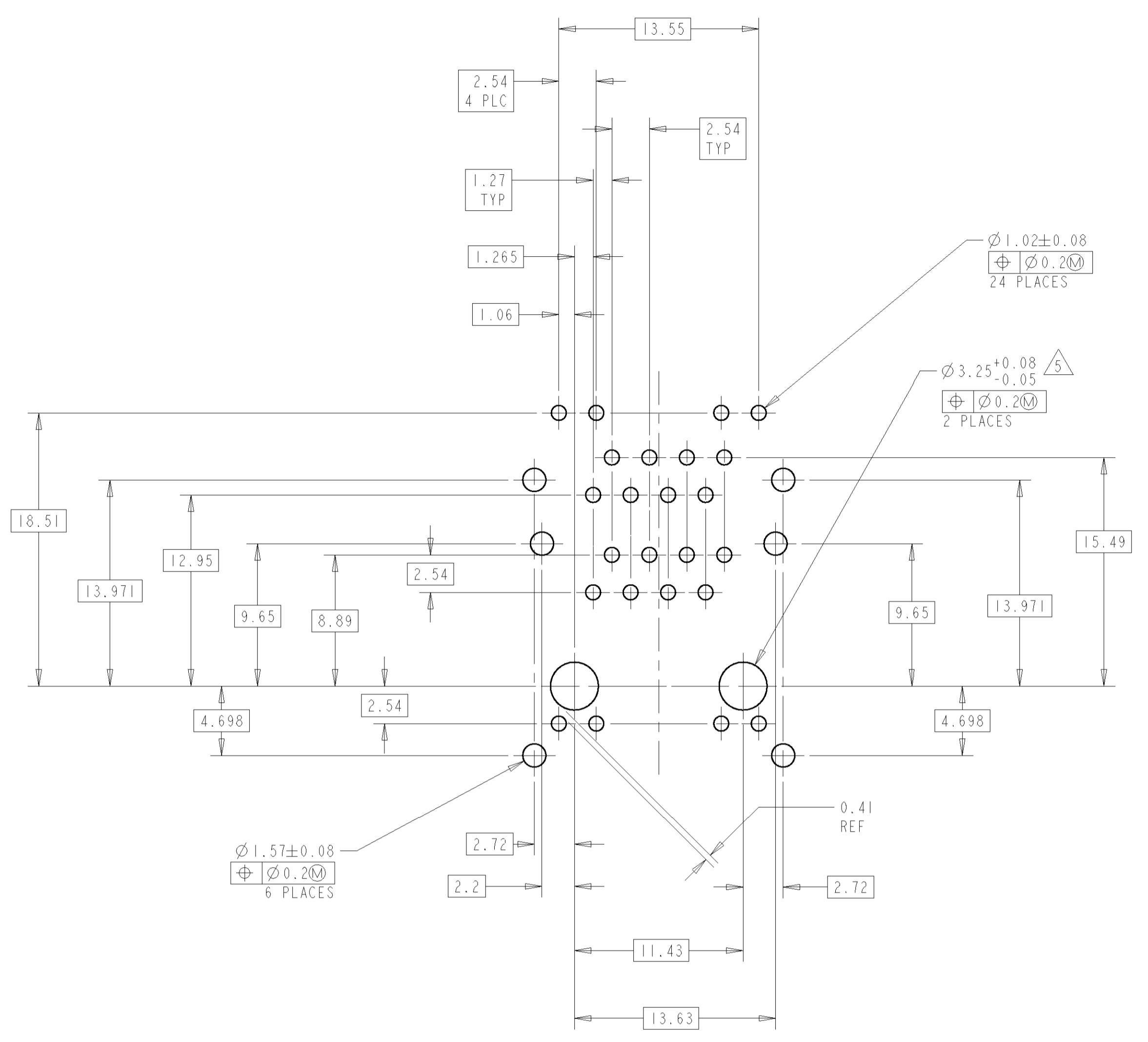
SCHEMATIC FOR 6368011-9  
 SCALE 4:1



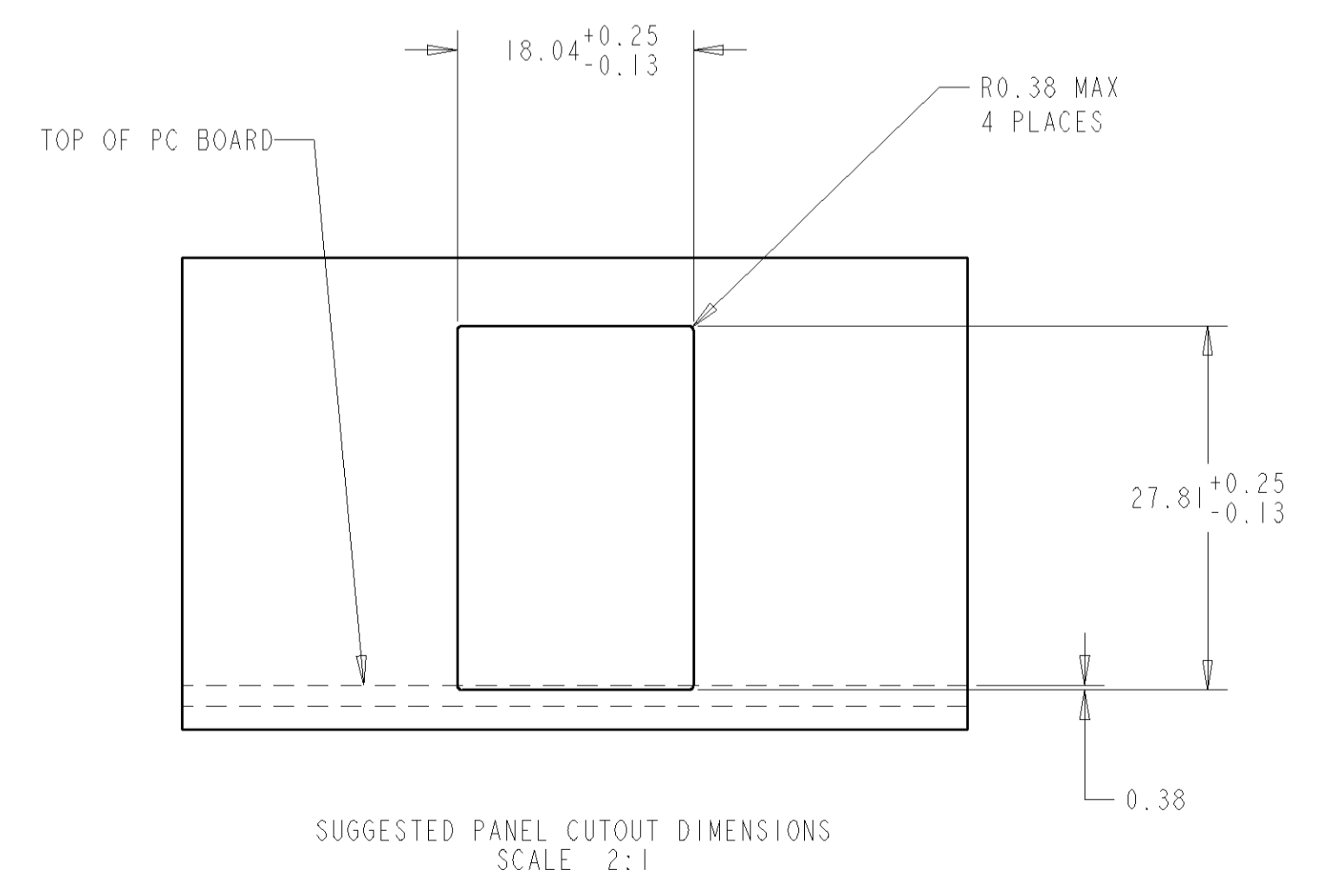
SCHEMATIC FOR 6368011-1, -2, -3, -5, -6, -7 & -8  
 SCALE 4:1

DIMENSIONS:		TOLERANCES UNLESS OTHERWISE SPECIFIED:		DWN: Vik Slack/A.MAYER 13APR2005		tyco Tyco Electronics	
mm		0 PLC ±		CHK: J.WESTMAN 13APR2005		Harrisburg, PA 17105-3608	
Ø		2 PLC ±0.25		APVD: S.FLICKINGER 13APR2005		NAME: MODULAR JACK ASSEMBLY, STACKED, 2 X 1, 8 POSITION, SHIELDED, PANEL GROUND, LED, CATEGORY 5	
MATERIAL: SEE NOTE 1		FINISH: SEE NOTE 1		PRODUCT SPEC: 108-1163-2		SIZE: 114-2154	
				APPLICATION SPEC: 00779		CAGE CODE: 6368011	
				WEIGHT: -		RESTRICTED TO: -	
				CUSTOMER DRAWING		SCALE: 1:1 SHEET 2 OF 3 REV D	

LOC	DIST	REVISIONS			
P	LTR	DESCRIPTION	DATE	DWN	APVD
AA	22	SEE SHEET 1	-	-	-



PC BOARD LAYOUT VIEWED FROM COMPONENT SIDE OF BOARD  
 SCALE 4:1



SUGGESTED PANEL CUTOUT DIMENSIONS  
 SCALE 2:1

<small>THIS DRAWING IS UNPUBLISHED. RELEASED FOR PUBLICATION. ALL RIGHTS RESERVED. © 2005 BY TYCO ELECTRONICS CORPORATION.</small>		DWN: 13APR2005 CHK: VIK SLICKINGER J. WESTMAN S. FLICKINGER 13APR2005	<b>tyco</b> Electronics Tyco Electronics Harrisburg, PA 17105-3608
DIMENSIONS: mm 	TOLERANCES UNLESS OTHERWISE SPECIFIED: 0 PLC ± 1 PLC ± 2 PLC ±0.25 3 PLC ± 4 PLC ± ANGLES ± FINISH SEE NOTE 1	NAME: MODULAR JACK ASSEMBLY, STACKED, 2 X 1, 8 POSITION, SHIELDED, PANEL GROUND, LED, CATEGORY 5 PRODUCT SPEC: 108-1163-2 APPLICATION SPEC: SIZE: 114-2154 WEIGHT: - CUSTOMER DRAWING	RESTRICTED TO: SCALE: 1:1 SHEET: 3 OF 3 REV: D